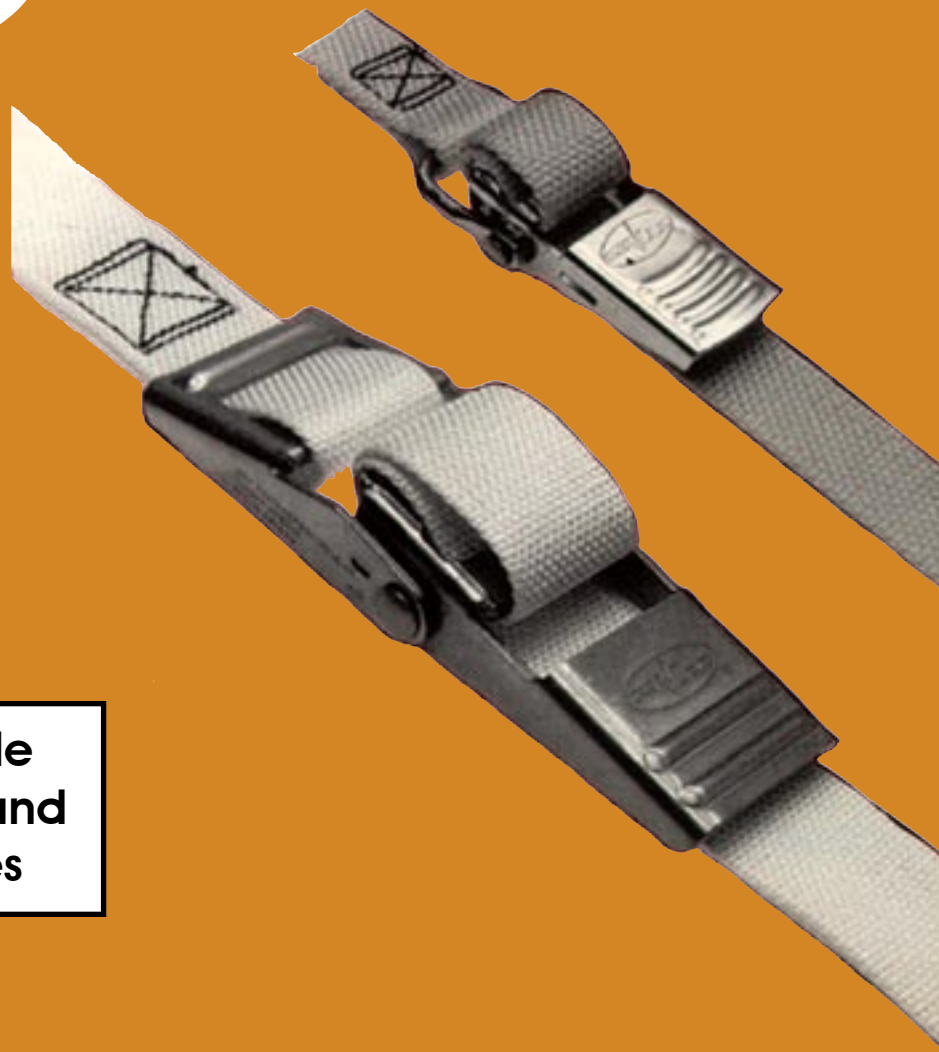




# Tie Downs



Also Available  
with Ratchet and  
Cam Buckles



AGM CONTAINER CONTROLS, INC.  
PO BOX 40020 • TUCSON ARIZONA 85717-0020  
Tel: 800-995-5590 (520) 881-2130 • Fax: (520) 881-4983  
www.agmcontainer.com • sales@agmcontainer.com



Sustaining  
Member



ISO 9001:2000  
CERTIFIED

CATALOG 95T



# Tie Downs

AGM CONTAINER CONTROLS, INC.  
PO BOX 40020 • TUCSON ARIZONA 85717-0020  
TEL: 800-995-5590 (520) 881-2130 • FAX: (520) 881-4983  
www.agmcontainer.com • sales@agmcontainer.com

## OVER-CENTER ACTION

KevLok® is a unique, adjustable strap fastener that meets every requirement:

- Simple installation
- Easily adjustable
- Positive lock-in tensioning
- Quick release
- Operation unaffected by sand, mud, ice or salt water

Utilizing leverage applied by the patented\* over-center action, KevLok® enables the user to tighten the strap, applying many more additional pounds of tension than would be possible by hand-pulling alone.

Making tie downs tighter than is possible with friction-type fasteners, and at a lower cost than for other tensioning devices, KevLok® fasteners will tie down just about anything . . . quickly, firmly, economically.

\* Patent No. 2825109



Ask for a free Demonstrator board!

## HOW THEY WORK

A "How-to-Use" label with rethreading instructions is sewn on strap assemblies with KevLok® fasteners.



**1.** To thread over-center fastener, hold handle vertically with rivets at top. Swing wire bale down against top of handle.



**2.** Insert pull tab into lower slot of handle, then back out through upper slot.



**3.** Take up slack with pull tab while handle is in open position.



**4.** Rotate handle to closed position to apply and lock in tension.



# Tie Downs

AGM CONTAINER CONTROLS, INC.  
 PO BOX 40020 • TUCSON ARIZONA 85717-0020  
 TEL: 800-995-5590 (520) 881-2130 • FAX: (520) 881-4983  
 www.agmcontainer.com • sales@agmcontainer.com

## HOW TO USE THIS CATALOG

Products in this catalog are grouped by webbing width: 1" and 1¾".

Standard KevLok® hardware is heavy gauge steel with zinc plating and bronze chromate finish. Most of the hardware is available in two breaking strengths per width:

- 1" 300 and 1,000 lbs.
- 1¾" 2,000 and 5,000 lbs.
- 2" 5,000 lbs.

Some components are available in stainless steel (see listing below) with 600 lb. breaking strength for 1" hardware and 2,500 lb. breaking strength for 1¾" hardware.

Various webbing materials are available: low-cost polypropylene; high-strength nylon; minimum stretch, sun-resistant polyester; and non-slip, abrasion-resistant bulked nylon. Naturally, any strap assembly is only as strong as its weakest component.

Other hardware and webbings are available. Please contact our sales department for more information.

*We are not responsible for tensile strengths of assemblies not sewn by AGM.*

**The information in this catalog is subject to change. If this information is used for the preparation of drawings or documents, please contact our sales department for the most current data.**

| P/N     | DESCRIPTION                             | WEBBING WIDTH | BREAKING STRENGTH | PAGE | P/N   | DESCRIPTION                       | WEBBING WIDTH | BREAKING STRENGTH | PAGE |
|---------|---|---------------|-------------------|------|-------|-----------------------------------|---------------|-------------------|------|
| K413    | Fastener, Over-Center                   | 1"            | 1,000 lbs.        | 4    | K710  | Fastener, Over-Center             | 1¾"           | 5,000 lbs.        | 9    |
| K413S   | Fastener, O.C., Stainless               | 1"            | 600 lbs.          | 4    | K710S | Fastener, O.C., Stainless         | 1¾"           | 2,500 lbs.        | 9    |
| K417    | Fastener, Over-Center                   | 1"            | 300 lbs.          | 4    | K711  | Fastener, Over-Center             | 1¾"           | 5,000 lbs.        | 9    |
| K426    | Fastener, Cam                           | 1"            | 1,200 lbs.        | 4    | K711S | Fastener, O.C., Stainless         | 1¾"           | 2,500 lbs.        | 9    |
| K428    | Fastener, Ratchet                       | 1"            | 1,500 lbs.        | 4    | K717  | Fastener, Over-Center             | 1¾"           | 2,000 lbs.        | 9    |
| K437    | Safety Pin Assembly                     | 1"            | N/A               | 8    | K718  | Fastener, Over-Center             | 1¾"           | 2,000 lbs.        | 9    |
| K439    | Protector Pad, Webbing                  | 1"            | N/A               | 8    | K726  | Fastener, Ratchet                 | 2"            | 5,000 lbs.        | 12   |
| K440    | Threading Plate                         | 1"            | 1,000 lbs.        | 7    | K739  | Protector Pad                     | 1¾"           | N/A               | 11   |
| K442    | Threading Plate                         | 1"            | 300 lbs.          | 7    | K740  | Threading Plate                   | 1¾"           | 2,000 lbs.        | 11   |
| K444    | Threading Plate                         | 1"            | 1,000 lbs.        | 7    | K741  | Threading Plate                   | 1¾"           | 3,500 lbs.        | 11   |
| K445    | Protector Pad, Plastic                  | 1"            | N/A               | 8    | K753  | Wire Hook & Keeper,<br>1" Opening | 1¾"           | 5,000 lbs.        | 10   |
| K446    | Threading Plate                         | 1"            | 300 lbs.          | 7    | K760  | Quick Disconnect                  | 1¾"           | 2,000 lbs.        | 10   |
| K450    | Wire Hook, ½" Opening                   | 1"            | 1,000 lbs.        | 6    | K761  | Quick Disconnect                  | 1¾"           | 5,000 lbs.        | 10   |
| K453    | Wire Hook, 1" Opening                   | 1"            | 2,000 lbs.        | 6    | K764  | Snap Hook                         | 1¾"           | 5,000 lbs.        | 10   |
| K453-50 | Wire Hook, 1" Opening<br>(Vinyl Coated) | 1"            | 2,000 lbs.        | 6    | K766  | Snap Hook                         | 1¾"           | 2,000 lbs.        | 10   |
| K454    | Pallet Hook                             | 1"            | 1,000 lbs.        | 7    | K770  | D-Ring                            | 1¾"           | 600 lbs.          | 11   |
| K459    | "S" Hook                                | 1" & 1¾"      | 1,000 lbs.        | 6,10 | K772  | Delta Ring                        | 1¾"           | 5,000 lbs.        | 11   |
| K459-50 | "S" Hook (Vinyl Coated)                 | 1" & 1¾"      | 1,000 lbs.        | 6,10 | K775  | Pull Tab Retainer                 | 1¾"           | N/A               | 11   |
| K460    | Quick Disconnect                        | 1"            | 1,000 lbs.        | 5    | K776  | Pull Tab Retainer, Assy.          | 1¾"           | N/A               | 11   |
| K460S   | Quick Disconnect,<br>Stainless          | 1"            | 600 lbs.          | 5    | K780  | Anchor Plate                      | 1¾"           | 5,000 lbs.        | 10   |
| K462    | Quick Disconnect                        | 1"            | 300 lbs.          | 5    | K860  | Quick Disconnect                  | 2"            | 5,000 lbs.        | 12   |
| K467    | Quick Disconnect                        | 1"            | 1,800 lbs.        | 5    | W1404 | Webbing, Bulked Nylon             | 1"            | 2,500 lbs.        | 5    |
| K468    | Snap Hook                               | 1"            | 1,000 lbs.        | 6    | W400  | Webbing, Nylon                    | 1"            | 2,500 lbs.        | 5    |
| K470    | D-Ring                                  | 1"            | 300 lbs.          | 7    | W402  | Webbing, Polypropylene            | 1"            | 700 lbs.          | 5    |
| K472    | D-Ring                                  | 1"            | 5,000 lbs.        | 7    | W405  | Webbing, Polyester                | 1"            | 2,500 lbs.        | 5    |
| K475    | Pull Tab Retainer                       | 1"            | N/A               | 8    | W1704 | Webbing, Bulked Nylon             | 1¾"           | 3,500 lbs.        | 9    |
| K480    | Anchor Plate                            | 1"            | 1,000 lbs.        | 6    | W1706 | Webbing, Bulked Nylon             | 1¾"           | 5,000 lbs.        | 9    |
| K486    | Footmans Loop                           | 1"            | 300 lbs.          | 6    | W700  | Webbing, Nylon                    | 1¾"           | 7,000 lbs.        | 9    |
| K488    | Bracket                                 | 1"            | 300 lbs.          | 7    | W706  | Webbing, Polyester                | 1¾"           | 10,000 lbs.       | 9    |
|         |   |               |                   |      | W707  | Webbing, Polyester                | 1¾"           | 6,000 lbs.        | 9    |

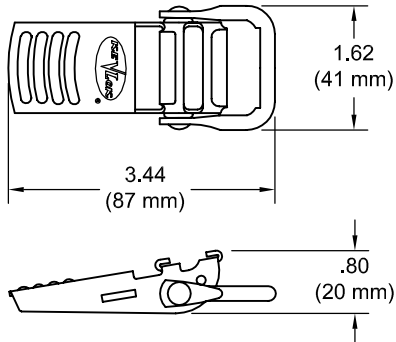


# Tie Downs FASTENERS FOR 1" WEBBING

AGM CONTAINER CONTROLS, INC.  
 PO BOX 40020 • TUCSON ARIZONA 85717-0020  
 TEL: 800-995-5590 (520) 881-2130 • FAX: (520) 881-4983  
 www.agmcontainer.com • sales@agmcontainer.com



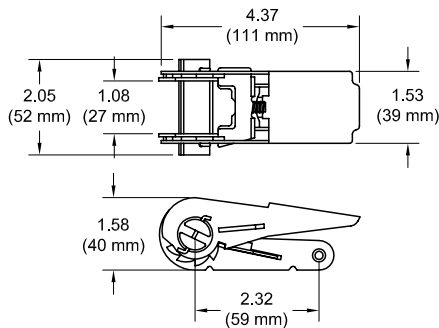
LEVER ANCHOR



## K413 (K413S, K417) OVER-CENTER FASTENER

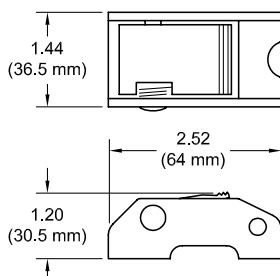
- Tensioning Take Up** 5/8" (16 mm)
- Breaking Strength**
  - K413 1,000 lbs. (454 kg)
  - K413S 600 lbs. (272 kg)
  - K417 300 lbs. (136 kg)
- Working Load**
  - K413 333 lbs. (151 kg)
  - K413S 200 lbs. (91 kg)
  - K417 100 lbs. (45 kg)
- Material**
  - K413 Heat Treated Alloy Steel
  - K413S Stainless Steel
  - K417 Cold Rolled Steel
- Finish** Zinc Plate Bronze Chromate (except K413S)
- Weight** .11 lb. (50 g)
- Applications** See photo section on pages 14-15.

*Note: Slots on side of lever are for optional safety seal or safety pin (p.8).*



## K428 RATCHET FASTENER

- Breaking Strength** 1,500 lbs. (680 kg)
- Working Load** 500 lbs. (227 kg)
- Material** Cold Rolled Steel
- Finish** Zinc Plate Bronze Chromate
- Weight** .52 lb. (236 g)
- Applications** Recommended for use on straps over 10 ft., or where additional take up is needed.



## K426 CAM FASTENER

- Breaking Strength** 1,200 lbs. (544 kg)
- Working Load** 400 lbs. (181 kg)
- Material** Cold Rolled Steel
- Finish** Zinc Plate Bronze Chromate
- Weight** .27 lb. (123 g)
- Applications** For use where tensioning is not critical.



# Tie Downs

AGM CONTAINER CONTROLS, INC.  
 PO BOX 40020 • TUCSON ARIZONA 85717-0020  
 TEL: 800-995-5590 (520) 881-2130 • FAX: (520) 881-4983  
 www.agmcontainer.com • sales@agmcontainer.com

## 1" WEBBING

Use the part number base followed by the 2-character alpha code for the color desired.



**W1404-\*\***

Won't slip under severe vibration; high abrasion resistance. Similar to MIL-W-43668, Type II, except width is 1".

**Breaking Strength** 2,500 lbs. (1,134 kg)  
**Working Load** 833 lbs. (378 kg)  
**Material** Bulked Nylon  
**\*\*Colors**

BK-Black OR-Orange  
 BL-Blue RD-Red  
 BR-Brown YE-Yellow  
 GR-Gray GN-Green  
 OD-Olive Drab



**W400-\*\***

Meets MIL-W-4088, Type XVII, with MIL-W-27265, Class R treatment.

**Breaking Strength** 2,500 lbs. (1,134 kg)  
**Working Load** 833 lbs. (378 kg)  
**Material** Nylon  
**\*\*Colors**

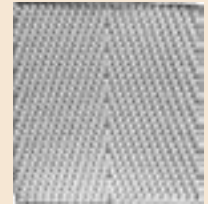
BK-Black OR-Orange  
 BL-Blue RD-Red  
 BR-Brown YE-Yellow  
 GR-Gray GN-Green  
 OD-Olive Drab



**W402-\*\***

Low cost material for light duty applications.

**Breaking Strength** 700 lbs. (318 kg)  
**Working Load** 233 lbs. (106 kg)  
**Material** Polypropylene  
**\*\*Color** BK-Black



**W405-\*\***

Low stretch, and greater U.V. resistance.

**Breaking Strength** 2,500 lbs. (1,134 kg)  
**Working Load** 833 lbs. (378 kg)  
**Material** Polyester  
**\*\*Color** WH-White

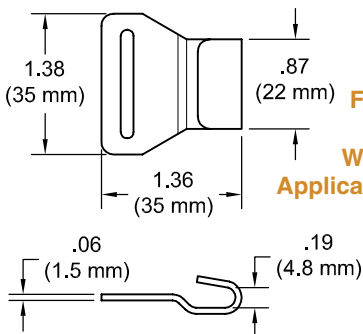
WHEN SEWN INTO AN ASSEMBLY, THE BREAKING STRENGTH OF THE WEBBING MAY BE LESS THAN SHOWN

## HARDWARE FOR 1" WEBBING



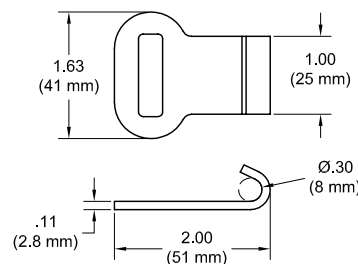
**K460 (K460S, K462) QUICK DISCONNECT**

**Breaking Strength** K460 1,000 lbs. (454 kg)  
 K460S 600 lbs. (272 kg)  
 K462 300 lbs. (136 kg)  
**Working Load** K460 333 lbs. (151 kg)  
 K460S 200 lbs. (91 kg)  
 K462 100 lbs. (45 kg)  
**Material** K460 Heat Treated Alloy Steel  
 K460S Stainless Steel  
 K462 Cold Rolled Steel  
**Finish** Zinc Plate Bronze Chromate (except K460S)  
**Weight** .03 lb. (14 g)  
**Applications** Used as a quick disconnect to anchor of fasteners K413, K413S and K417.



**K467 QUICK DISCONNECT**

**Breaking Strength** 1,800 lbs (816 kg)  
**Working Load** 600 lbs. (272 kg)  
**Material** Heat Treated Alloy Steel  
**Finish** Zinc Plate  
**Weight** .08 lb. (36 g)  
**Applications** For use with K428 as quick disconnect or attachment to rods, bars, etc.





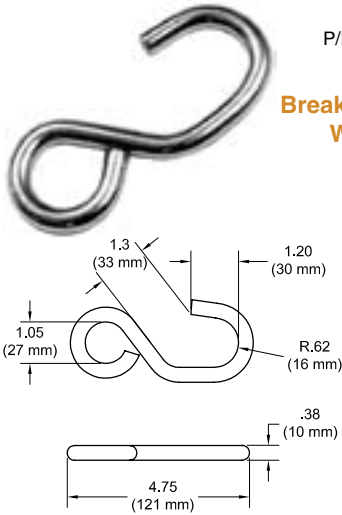
# Tie Downs Hardware for 1" Webbing

AGM CONTAINER CONTROLS, INC.  
 PO BOX 40020 • TUCSON ARIZONA 85717-0020  
 TEL: 800-995-5590 (520) 881-2130 • FAX: (520) 881-4983  
 www.agmcontainer.com • sales@agmcontainer.com

## HARDWARE FOR 1" WEBBING

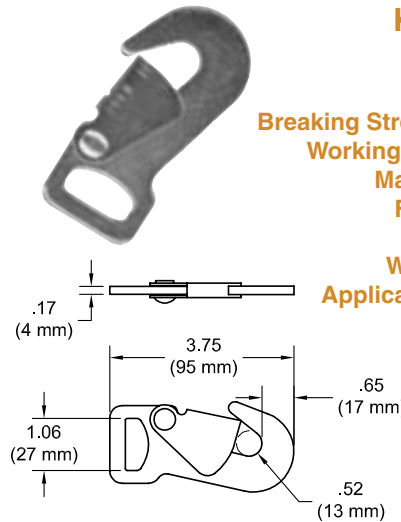
### K459 "S" HOOK

P/N K459-50 with vinyl coating also available



**Breaking Strength** 2,500 lbs. (1,134 kg)  
**Working Load** 833 lbs. (378 kg)  
**Material** 3/8" dia. Cold Rolled Steel  
**Finish** Zinc Plate  
 Bronze Chromate  
**Weight** .295 lb. (134 g)  
**Applications** For temporary attachment to pipes, bars, eye bolts, etc.

### K468 SNAP HOOK



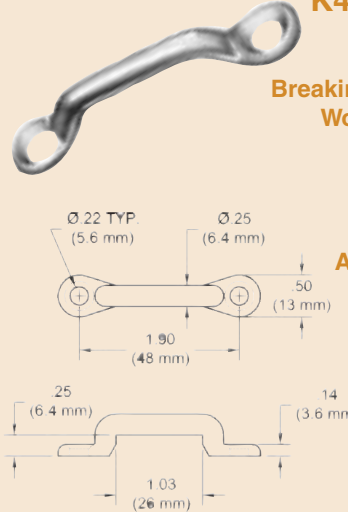
**Breaking Strength** 5,500 lbs. (2,494 kg)  
**Working Load** 1,835 lbs. (832 kg)  
**Material** Heat Treated Steel  
**Finish** Zinc Plate  
 Bronze Chromate  
**Weight** .21 lb. (95 g)  
**Applications** For positive attachment to rods, handles, eye bolts, etc.

### K480 ANCHOR PLATE



**Breaking Strength** 1,000 lbs. (454 kg)  
**Working Load** 333 lbs. (151 kg)  
**Material** Cold Rolled Steel  
**Finish** Zinc Plate  
 Bronze Chromate  
**Weight** .07 lb. (32 g)  
**Applications** Designed to be used with a bolt to secure strap permanently to mounting surface; also as plate to attach hook.

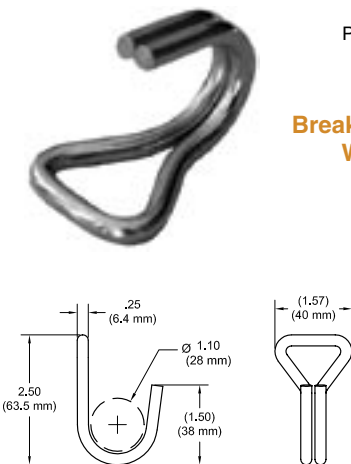
### K486 FOOTMANS LOOP



**Breaking Strength** 300 lbs. (136 kg)  
**Working Load** 100 lbs. (45 kg)  
**Material** Cold Rolled Steel  
**Finish** Zinc Plate  
 Bronze Chromate  
**Weight** .03 lb. (14 g)  
**Applications** For permanent installation of strap.

### K453 WIRE HOOK

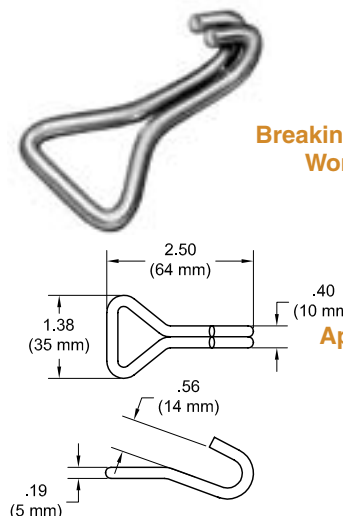
P/N K453-50 with vinyl coating also available  
 (1" opening)



**Breaking Strength** 2,000 lbs. (907 kg)  
**Working Load** 666 lbs. (302 kg)  
**Material** Heat Treated Steel  
**Finish** Zinc Plate  
 Bronze Chromate  
**Weight** .13 lb. (59 g)  
**Applications** For temporary attachment to pipes, bars, eye bolts, slots, etc.

### K450 WIRE HOOK

(1/2" opening)



**Breaking Strength** 1,000 lbs. (454 kg)  
**Working Load** 333 lbs. (151 kg)  
**Material** High Strength Steel Wire  
**Finish** Zinc Plate  
 Bronze Chromate  
**Weight** .08 lb. (36 g)  
**Applications** For temporary attachment to rings, rods, holes, slots, etc.

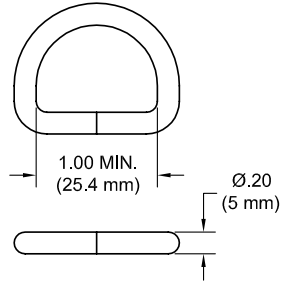


# Tie Downs Hardware for 1" Webbing

AGM CONTAINER CONTROLS, INC.  
 PO BOX 40020 • TUCSON ARIZONA 85717-0020  
 TEL: 800-995-5590 (520) 881-2130 • FAX: (520) 881-4983  
 www.agmcontainer.com • sales@agmcontainer.com

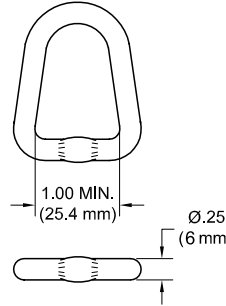
## HARDWARE FOR 1" WEBBING

### K470 D-RING



**Breaking Strength** 300 lbs. (136 kg)  
**Working Load** 100 lbs. (45 kg)  
**Material** Cold Rolled Steel  
**Finish** Zinc Plate  
 Bronze Chromate  
**Weight** .04 lb. (18 g)  
**Applications** For attaching to hook, U-slot, or bolt; can also be used as pull tab ring.

### K472 D-RING

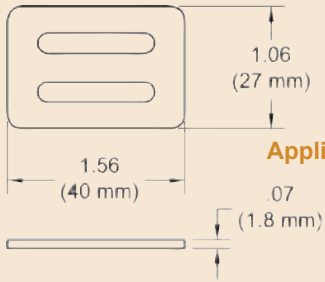


**Breaking Strength** 5,000 lbs. (2,268 kg)  
**Working Load** 1,670 lbs. (757 kg)  
**Material** Heat Treated Alloy Steel  
**Finish** Zinc Plate  
 Bronze Chromate  
**Weight** .04 lb. (18 g)  
**Applications** For attaching to hook, U-slot, or bolt; can also be used as pull tab ring.  
**Note** Location of welded seam may vary.

### K440 (K442)

#### THREADING PLATE

(Use with W400, W402, and W405 webbing)

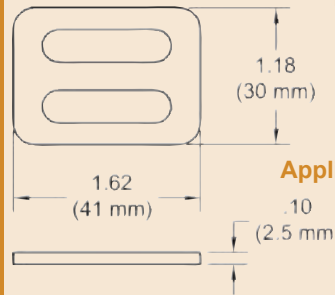


**Breaking Strength** K440 1,000 lbs. (454 kg)  
 K442 300 lbs. (136 kg)  
**Working Load** K440 333 lbs. (151 kg)  
 K442 100 lbs. (45 kg)  
**Material** K440 Heat Treated Alloy Steel  
 K442 Cold Rolled Steel  
**Finish** Zinc Plate  
 Bronze Chromate  
**Weight** .03 lb. (14 g)  
**Applications** For major length adjustments; also to form loops without sewing.

### K444 (K446)

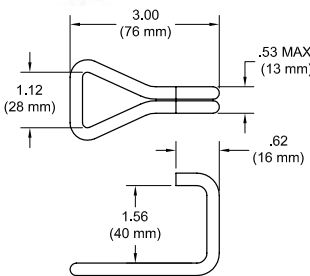
#### THREADING PLATE

(Use with W1404 webbing)



**Breaking Strength** K444 1,000 lbs. (454 kg)  
 K446 300 lbs. (136 kg)  
**Working Load** K444 333 lbs. (151 kg)  
 K446 100 lbs. (45 kg)  
**Material** K444 Heat Treated Alloy Steel  
 K446 Cold Rolled Steel  
**Finish** Zinc Plate  
 Bronze Chromate  
**Weight** .04 lb. (18 g)  
**Applications** For major length adjustments; also to form loops without sewing.

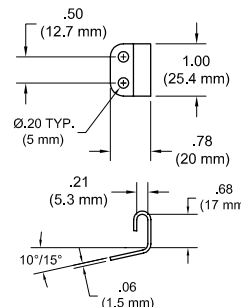
**NEW!**



### K454 PALLET HOOK

**Breaking Strength** 1,000 lbs. (454 kg)  
**Working Load** 333 lbs. (151 kg)  
**Material** Cold Rolled Steel  
**Finish** Zinc Plate  
 Bronze Chromate  
**Weight** .15 lb. (68 g)  
**Applications** For attachment to pallets or similar frames. Fits over 2 x 4 timber. Does not damage wood.

### K488 BRACKET



**Breaking Strength** 300 lbs. (136 kg)  
**Working Load** 100 lbs. (45 kg)  
**Material** Cold Rolled Steel  
**Finish** Zinc Plate  
 Bronze Chromate  
**Weight** .03 lb. (14 g)  
**Applications** For quick release attachment of K417 wire anchor. Especially useful in wall mounting applications.



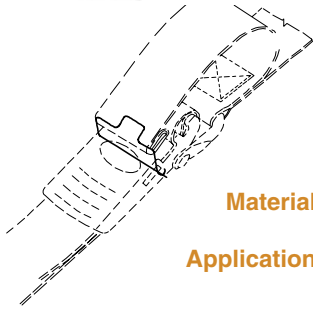
# Tie Downs Downs

AGM CONTAINER CONTROLS, INC.  
PO BOX 40020 • TUCSON ARIZONA 85717-0020  
TEL: 800-995-5590 (520) 881-2130 • FAX: (520) 881-4983  
www.agmcontainer.com • sales@agmcontainer.com

## ASSEMBLIES & FEATURES FOR 1" WEBBING



**K437 SAFETY PIN ASSEMBLY**



**Material** Stainless Steel Wire, No Finish  
**Application** To prevent unintentional release of fastener using pull tab. Slips through slots in side of lever to lock fastener to webbing.



**K445 PLASTIC PROTECTOR PAD**

**Material** .04" thick Polyethylene  
**Application** To protect delicate surfaces from fastener, pad is secured to strap behind fastener or quick disconnect.



**K439 WEBBING PROTECTOR PAD**

**Material** One layer of W700 webbing  
**Application** To protect delicate surfaces from fastener. Pad is sewn to strap behind fastener or quick disconnect. Specify color to be used. (p 5.)



**K475 PULL TAB RETAINER**

**Material** Same as strap  
**Application** To prevent removal of webbing from fastener.

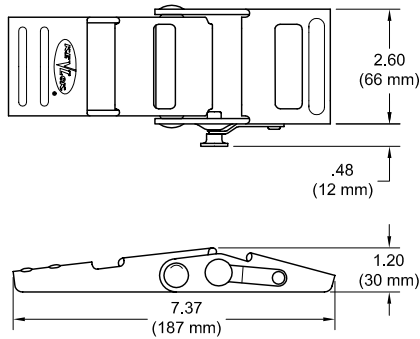




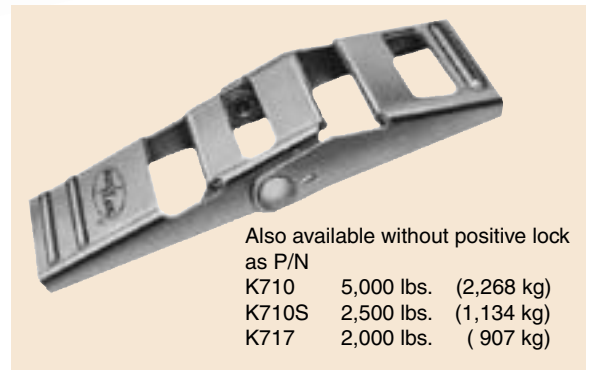
# Tie Downs

AGM CONTAINER CONTROLS, INC.  
 PO BOX 40020 • TUCSON ARIZONA 85717-0020  
 TEL: 800-995-5590 (520) 881-2130 • FAX: (520) 881-4983  
 www.agmcontainer.com • sales@agmcontainer.com

## FASTENERS FOR 1 3/4" WEBBING



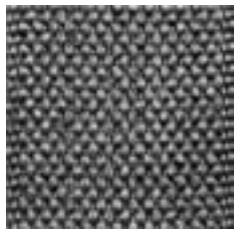
### K711 (K711S, K718) FASTENER With Positive Lock



|                           |   |
|---------------------------|---|
| <b>Tensioning Take Up</b> | 1.25" (32 mm)   |
| <b>Breaking Strength</b>  | K711 5,000 lbs. (2,268 kg)<br>K711S 2,500 lbs. (1,134 kg)<br>K718 2,000 lbs. (907 kg) |
| <b>Working Load</b>       | K711 1,666 lbs. (756 kg)<br>K711S 833 lbs. (378 kg)<br>K718 666 lbs. (302 kg)         |
| <b>Material</b>           | K711 Heat Treated Alloy Steel<br>K711S Stainless Steel<br>K718 Cold Rolled Steel      |
| <b>Finish</b>             | Zinc Plate Bronze Chromate (except K711S)   |
| <b>Weight</b>             | .80 lb. (363 g)   |
| <b>Applications</b>       | See photo section on pages 14-15.   |

Also available without positive lock as P/N  
 K710 5,000 lbs. (2,268 kg)  
 K710S 2,500 lbs. (1,134 kg)  
 K717 2,000 lbs. (907 kg)

## 1 3/4" WEBBING

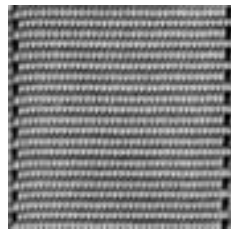


### W1704-\*\*WEBBING

Won't slip under severe vibration; high abrasion resistance.

|                          |  |
|--------------------------|--|
| <b>Breaking Strength</b> | 3,500 lbs. (1,588 kg)                          |
| <b>Working Load</b>      | 1,166 lbs. (529 kg)                            |
| <b>Material</b>          | Bulked Nylon                                   |
| <b>**Colors</b>          | BK-Black<br>BL-Blue<br>OD-Olive Drab<br>RD-Red |

Use for 2,000 lb. assemblies ONLY



### W700-\*\* WEBBING

Meets requirements of MIL-W-4088, Type XIII, Class R.

|                          |                                      |
|--------------------------|--------------------------------------|
| <b>Breaking Strength</b> | 7,000 lbs. (3,175 kg)                |
| <b>Working Load</b>      | 2,333 lbs. (1,058 kg)                |
| <b>Material</b>          | Nylon                                |
| <b>**Colors</b>          | BK-Black<br>GR-Gray<br>OD-Olive Drab |

Can be used for 2,000 or 5,000 lb. assemblies



### W706-\*\* WEBBING W707-\*\*

Meets MIL-W-25361 and A-A-55242 Type V (W706) and Type II (W707).

|                          |   |
|--------------------------|---|
| <b>Breaking Strength</b> | W706; 10,000 lbs. (4,536 kg)<br>W707; 6,000 lbs. (2,722 kg) |
| <b>Working Load</b>      | W706; 3,333 lbs. (1,512 kg)<br>W707; 2,000 lbs. (907 kg)    |
| <b>Material</b>          | Polyester   |
| <b>**Color</b>           | OD-Olive Drab   |

Can be used for 2,000 or 5,000 lb. assemblies

WHEN SEWN INTO AN ASSEMBLY, THE BREAKING STRENGTH OF THE WEBBING MAY BE LESS THAN SHOWN



# Tie Downs

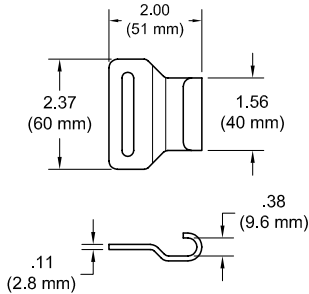
AGM CONTAINER CONTROLS, INC.  
 PO BOX 40020 • TUCSON ARIZONA 85717-0020  
 TEL: 800-995-5590 (520) 881-2130 • FAX: (520) 881-4983  
 www.agmcontainer.com • sales@agmcontainer.com

## HARDWARE FOR 1 3/4" WEBBING



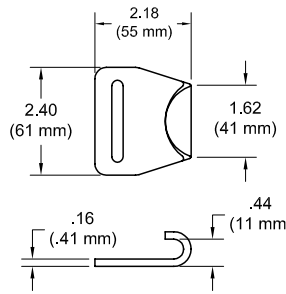
### K760 QUICK DISCONNECT

**Breaking Strength** 2,000 lbs. (907 kg)  
**Working Load** 666 lbs. (302 kg)  
**Material** Heat Treated Alloy Steel  
**Finish** Zinc Plate  
 Bronze Chromate  
**Weight** .14 lb. (64 g)  
**Applications** Used as a quick disconnect to anchor end of K717 and K718 Fasteners.



### K761 QUICK DISCONNECT

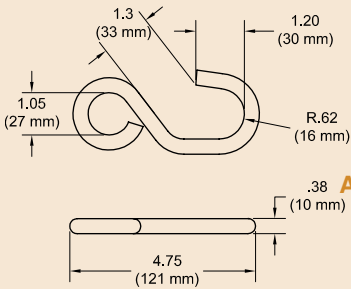
**Breaking Strength** 5,000 lbs. (2,268 kg)  
**Working Load** 1,666 lbs. (756 kg)  
**Material** Heat Treated Alloy Steel  
**Finish** Zinc Plate  
 Bronze Chromate  
**Weight** .23 lb. (104 g)  
**Applications** Used as a quick disconnect to anchor end of K710 and K711 Fasteners.



### K459 "S" HOOK

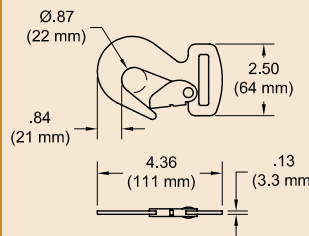
P/N K459-50 with vinyl coating also available

**Breaking Strength** 2,500 lbs. (1,134 kg)  
**Working Load** 833 lbs. (378 kg)  
**Material** 3/8" dia. Cold Rolled Steel  
**Finish** Zinc Plate  
 Bronze Chromate  
**Weight** .295 lb. (134 g)  
**Note:** Using this hook on a 1 3/4" assembly will decrease the overall breaking strength to 1,000 lbs.  
**Applications** For temporary attachment to pipes, bars, eye bolts, etc.



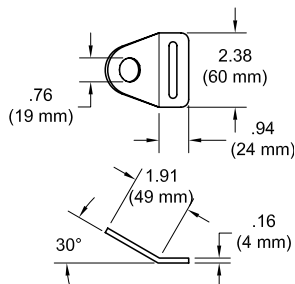
### K764 (K766) SNAP HOOK

**Breaking Strength** K764 5,000 lbs. (2,268 kg)  
 K766 2,000 lbs. (907 kg)  
**Working Load** K764 1,666 lbs. (756 kg)  
 K766 666 lbs. (302 kg)  
**Material** K764 Heat Treated Alloy Steel  
 K766 Cold Rolled Steel  
**Finish** Zinc Plate  
 Bronze Chromate  
**Weight** .28 lb. (127 g)  
**Applications** For positive attachment to rings, rods, slots, handles, etc.



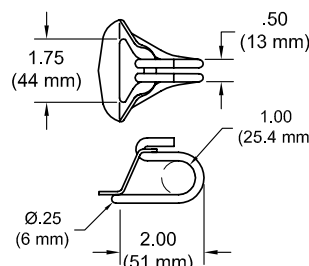
### K780 ANCHOR PLATE

**Breaking Strength** 5,000 lbs. (2,268 kg)  
**Working Load** 1,666 lbs. (756 kg)  
**Material** Heat Treated Alloy Steel  
**Finish** Zinc Plate  
 Bronze Chromate  
**Weight** .20 lb. (91 g)  
**Applications** Designed to be used with a bolt to secure strap permanently to mounting surface.



### K753 WIRE HOOK & KEEPER (1" opening)

**Breaking Strength** 5,000 lbs. (2,268 kg)  
**Working Load** 1,666 lbs. (756 kg)  
**Material** Heat Treated Alloy Steel  
**Finish** Zinc Plate  
 Bronze Chromate  
**Weight** .30 lb. (136 g)  
**Applications** For positive attachment to pipe, rods, eye bolts, handles, etc.



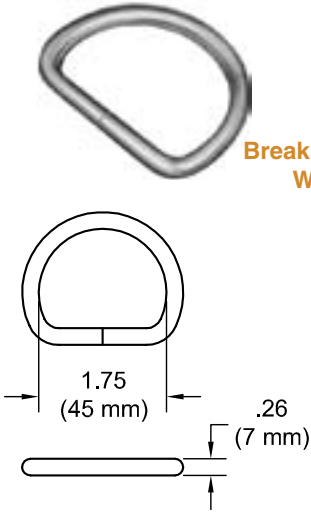


# Tie Downs

AGM CONTAINER CONTROLS, INC.  
 PO BOX 40020 • TUCSON ARIZONA 85717-0020  
 TEL: 800-995-5590 (520) 881-2130 • FAX: (520) 881-4983  
 www.agmcontainer.com • sales@agmcontainer.com

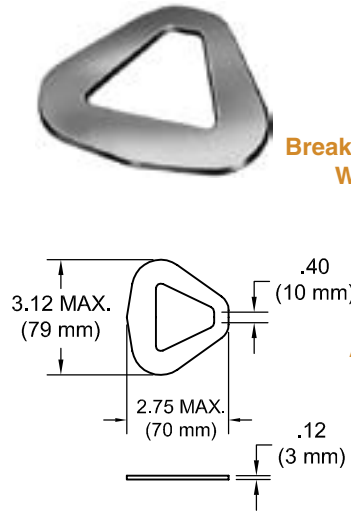
## HARDWARE FOR 1 3/4" WEBBING

### K770 D-RING



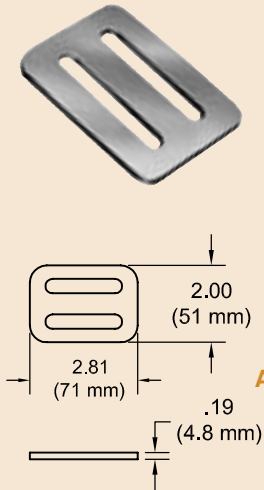
**Breaking Strength** 600 lbs. (272 kg)  
**Working Load** 200 lbs. (91 kg)  
**Material** Cold Rolled Steel  
**Finish** Zinc Plate  
 Bronze Chromate  
**Weight** .10 lb. (45 g)  
**Application** For use as a pull tab ring.

### K772 DELTA RING



**Breaking Strength** 5,000 lbs. (2,268 kg)  
**Working Load** 1,666 lbs. (756 kg)  
**Material** Heat Treated Alloy Steel  
**Finish** Zinc Plate  
 Bronze Chromate  
**Weight** .11 lb (50 g)  
**Applications** For attaching to hook, U-slot, or bolt.

### K741 (K740) THREADING PLATE



**Breaking Strength** K741 3,500 lbs. (1,586 kg)  
 K740 2,000 lbs. (907 kg)  
**Working Load** K741 1,166 lbs. (529 kg)  
 K740 666 lbs. (302 kg)  
**Material** K741 Heat Treated Alloy Steel  
 K740 Cold Rolled Steel  
**Finish** Zinc Plate  
 Bronze Chromate  
**Weight** .22 lb. (100 g)  
**Applications** For major length adjustments; also to form loops without sewing.

### K775 PULL TAB RETAINER



**Material** Same as strap  
**Application** To prevent removal of webbing from fastener.

### K739 PROTECTOR PAD



**Material** Double layer of 3" wide Nylon webbing  
**Application** To protect delicate surfaces from fastener. Pad is sewn to strap behind fastener or quick disconnect.  
**Colors** Gray or Olive Drab

### K776 PULL TAB RETAINER ASSEMBLY



**Material** "Hook and Loop" mating strips on neoprene slide  
**Application** To secure pull tab when not in use. Prevents tangling and flapping of pull tab.



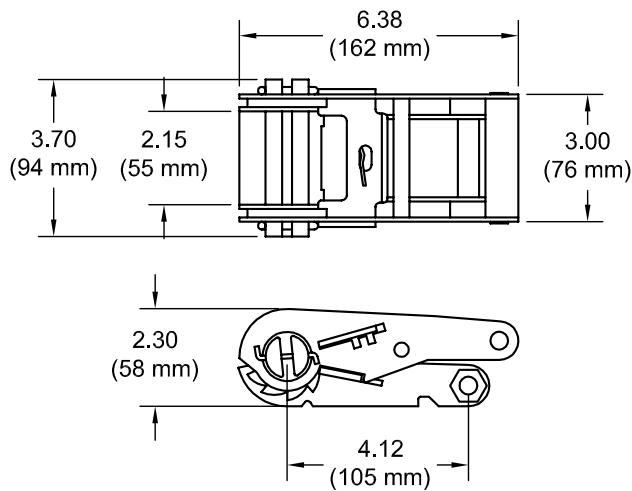
# Tie Downs

AGM CONTAINER CONTROLS, INC.  
PO BOX 40020 • TUCSON ARIZONA 85717-0020  
TEL: 800-995-5590 (520) 881-2130 • FAX: (520) 881-4983  
www.agmcontainer.com • sales@agmcontainer.com

## 2" RATCHET FASTENER (USE WITH EITHER 1 3/4" OR 2" WEBBING)



### K726 RATCHET FASTENER

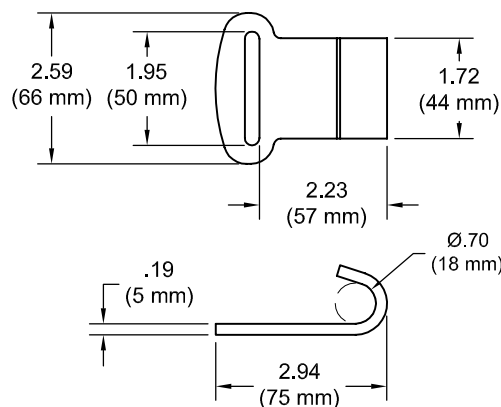


**Breaking Strength** 5,000 lbs. (2,268 kg)  
**Working Load** 1,666 lbs. (756 kg)  
**Material** Cold Rolled Steel  
**Finish** Zinc Plate  
 Bronze Chromate  
**Weight** 2.24 lbs. (1,016 g)  
**Applications** See photo section on pages 14-15.

## QUICK DISCONNECT



### K860 QUICK DISCONNECT



**Breaking Strength** 5,000 lbs. (2,268 kg)  
**Working Load** 1,666 lbs. (756 kg)  
**Material** Cold Rolled Steel  
**Finish** Zinc Plate  
 Bronze Chromate  
**Weight** .41 lb. (186 g)  
**Applications** For use with K726 as quick disconnect or attachment to rods, bars, etc.



# Tie Downs

AGM CONTAINER CONTROLS, INC.  
PO BOX 40020 • TUCSON ARIZONA 85717-0020  
TEL: 800-995-5590 (520) 881-2130 • FAX: (520) 881-4983  
www.agmcontainer.com • sales@agmcontainer.com

## CUSTOM ASSEMBLIES HOW TO ORDER

Assemblies are rated at breaking strengths of 300 or 1,000 lbs. for 1" width and 2,000 or 5,000 lbs. for 1¼" and 2" widths. Since a strap assembly is only as strong as its weakest component, make sure that all hardware and webbing components you select have a breaking strength which is equal to or greater than the desired breaking strength for the whole assembly. A quick reference for breaking strengths can be found in the Index (p. 3). Please advise our sales department if you will be supplying your own drawing.

- For ease of operation, we recommend a Quick Disconnect for 2-Piece Assemblies and 1-Piece Loop Assemblies (see drawing below), especially when the strap is to be permanently attached to a surface.
- Where hardware orientation is an option, hardware is sewn HOOK OPENING DOWN, unless otherwise specified. (Exception: K753 Wire Hook and ALL QUICK DISCONNECTS are sewn with OPENING UP.) Hardware is positioned as shown in the diagram below, unless otherwise specified.
- Factory adds sufficient webbing for stitch joints and a 6" pull tab. A "How-to-Use" label with rethreading instructions is sewn on strap assemblies with KevLok® fasteners, unless otherwise specified.
- Our Standard manufacturing tolerance on strap lengths is ±.50" up to 99", 100" and over = ± 1%.

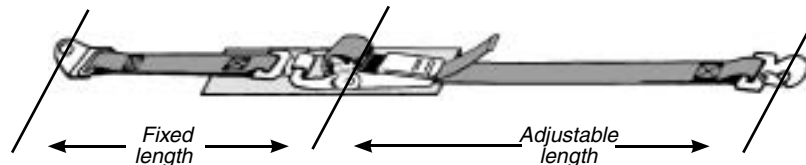
### PART NUMBER COMPONENT CALL-OUT

In creating a component assembly call-out, you may delete prefixes "K" and "W" on all but the first component part number. AGM will then assign a unique CT part number to this assembly.

#### 2-PIECE ASSEMBLY

For 2-piece assemblies, select end hardware from that shown on the preceding pages. If you do not specify the end hardware, the strap will be supplied with 1" diameter sewn loops (SL).

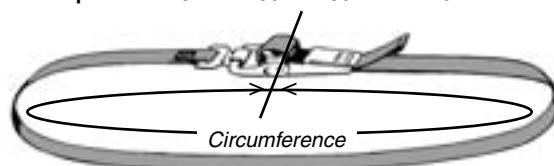
**Example Below:** Assembly consists of K413 FASTENER, a K460 QUICK DISCONNECT, a fixed length "F" of 24" with a K480 ANCHOR PLATE, and an adjustable length "A" of 40" with a K468 SNAP HOOK, made with W1404-RD (RED) BULKED NYLON WEBBING, and a K439 PROTECTOR PAD under the fastener.



**Example:** K413 — 460 — F24/480 — A40/468 — 1404-RD — (439)

|   |  |   |   |   |
|---|--|---|---|---|
| Designates part number of fastener desired. | Designates quick disconnect if desired. (Optional—delete if not required.) | "F" followed by number designates length of fixed strap in inches, followed by P/N of end hardware. "A" followed by number designates length of adjustable strap in inches, followed by P/N of end hardware. If sewn loops are desired (in place of hardware) use "SL" followed by loop diameter in inches. | Designated webbing P/N and color (p. 5,10)<br>Color code:<br>BK-Black RD-Red<br>BL-Blue YE-Yellow<br>BR-Brown GR-Gray<br>GN-Green<br>WH-White<br>OR-Orange<br>OD-Olive Drab | Designates special feature, such as pad under fastener or special pull tab attachment; for example, the K475 Pull Tab Retainer. (Optional: delete if not required.) |
|---|--|---|---|---|

**Example:** K413 — 460 — 60 — 1404-BK



#### 1-PIECE LOOP ASSEMBLY

**Example Above:** Assembly consists of K413 FASTENER, a K460 QUICK DISCONNECT and a total circumference of 60", made with W1404-BK (BLACK) bulked nylon webbing.

**IF YOU REQUIRE DESIGN ASSISTANCE, PLEASE CONTACT OUR SALES DEPARTMENT.**



# Tie Downs

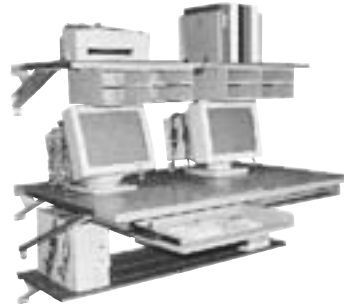
AGM CONTAINER CONTROLS, INC.  
PO BOX 40020 • TUCSON ARIZONA 85717-0020  
TEL: 800-995-5590 (520) 881-2130 • FAX: (520) 881-4983  
www.agmcontainer.com • sales@agmcontainer.com

## APPLICATIONS

Applications for KevLok® Tie Downs are virtually endless. A few are illustrated below. To design the tie down to meet your specific requirements, please refer to Custom Assembly information on page 13. If you need more information, please call and ask for our sales department.



**A.** Secure ladders and other equipment to trucks.



**B.** KevLok® Tie Down Shelving

For transport of electronics and delicate instruments. Allows for various equipment sizes and shapes to be secured or removed in seconds. (Ask for KevLok® Tie Down Shelving Catalog)



**C.** Secure gas or water cans to vehicles.



**D.** Secure oxygen tanks and other equipment to vehicle walls. Will accommodate various sizes and shapes.



**E.** Banding Strap for transport of Beehives.



**F.** Secure delicate equipment to carts for in-plant movement.



**G.** Secure battery, tool box, etc. in vehicle.



**H.** Reusable banding strap for a triple wall corrugated container.



# Tie Downs

AGM CONTAINER CONTROLS, INC.  
PO BOX 40020 • TUCSON ARIZONA 85717-0020  
TEL: 800-995-5590 (520) 881-2130 • FAX: (520) 881-4983  
www.agmcontainer.com • sales@agmcontainer.com

## APPLICATIONS



**I.** Secure cargo to floating platform in wooden shipping crate.



**J.** Secure a variety of sizes and shapes of equipment on KevLok® Tie Down Shelving for containerized transport.



**K.** Secure equipment or material to handcarts and dollies.



**L.** Straps can be used to secure contents inside container or can. Replace latches and hinges on outside of container.



**M.** It is not necessary for KevLok® fastener to be on a surface to apply and lock in tension.



**N.** Reusable banding straps for palletized loads.



### OEM or End Users:

- Industrial
- Electronics
- Plant
- Transport
- Material Handling
- Containerization
- Military

*and more!*

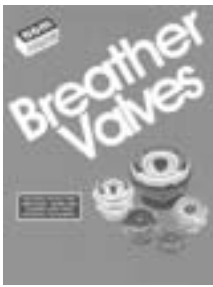
### Also Available for Personal Use

#### TIE DOWNS for the:

- Boater
  - Carpenter
  - Contractor
  - Do-it-Yourselfer
  - Electrician
  - Repairman
  - Sportsman
  - Beekeeper
- and more!*

Illustrated "how-to-use" instructions are included with each package. Use enclosed mail order form.

# QUALITY PRODUCTS FROM



Catalog "B"



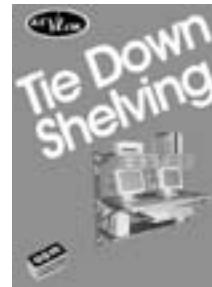
Catalog "IP"



Catalog "D"



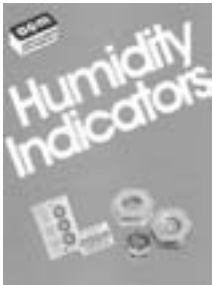
Catalog "T"



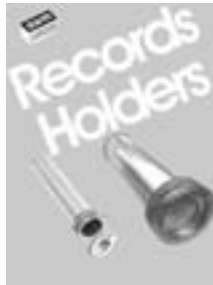
Catalog "K"



Catalog "SD"



Catalog "H"



Catalog "R"



Catalog "P"



Catalog "DV"



Catalog "S"



Catalog "SW"

**AGM CONTAINER CONTROLS, INC.**, backed by four decades of leadership in the manufacture of container hardware, has developed many products for military, electronic and industrial packaging, handling, storage and transportation applications. Individual catalogs (illustrated above) describing these products are available upon request. You are also cordially invited to phone, fax or e-mail for specific information regarding custom design, or to request assistance on your current and future requirements.

**BREATHING VALVES** Prevent excessive pressure or vacuum buildup in sealed containers, reducing weight, cube and cost. Meet SAE AS27166. Related item: Manual Relief Valves.

**IMMERSION PROOF BREATHERS** Permit air pressure equalization, but keep out liquid water. For use on membrane keyboards and similar pressure sensitive equipment that must operate under rain or water submersion conditions.

**DESICCATORS** Standard and custom-designed static drying units to fit a wide variety of applications. Valves and/or humidity indicators can be incorporated.

**TIE DOWNS** Patented over-center action of KevLok® fastener locks in tension. Adjustable. Holds tight, with quick release. Assemblies for military, industrial and recreational purposes. Also available: ratchet and cam buckle assemblies.

**TIE DOWN SHELVE** For transport of delicate instruments in vans, trailers, etc. Meets Navy MIL-S-901D shock test for shipboard use. Padded aluminum shelving has recessed channels which accept adjustable KevLok® straps with quick attach/release end fittings.

**SHELTER STATIC DEHUMIDIFIERS (SSD)** Protect COTS equipment in mobile shelters for up to two years on a single bulk desiccant charge. Can be recharged from outside shelter.

**HUMIDITY INDICATORS** Provide external monitoring of humidity levels inside containers. Meet SAE AS26860. Related items: Propellant Leak Detectors and Observation Windows.

**RECORDS HOLDERS** Provide access to documentation or accessories without opening container. Records Holders compartment is sealed from the inside of the container.

**DESICCANT** AGM is a stocking distributor of Süd-Chemie Performance Packaging's Desi Pak® (which exceeds MIL-D-3464E requirements maintained within MIL-STD-2073-1C), Sorb-It®, Tri-Sorb®, Desi View® and Container Dri® products. Custom packaging of bulk desiccant available.

**DRUM VENT DRYERS** Prevent contamination of chemical products (powders, liquids and semi-solids) in 55-gallon storage drums. Reusable—saturated color change silica gel desiccant is easily replaced.

**SHOCKMASTER®** Shock overload indicators provide low cost detection of transport and handling damage. Compact, accurate and reusable. "Red-flags" shipments which have been subjected to excessive shock or vibration.

**SHOCKWATCH** Single-use impact-detection device guards against careless handling. Self-adhesive label incorporates a tiny liquid filled tube that turns red when package is dropped.

Employee  
Owned



AGM CONTAINER CONTROLS, INC.  
3526 E FT LOWELL RD • PO BOX 40020 • TUCSON AZ 85717-0020  
TEL: 800-995-5590 (520) 881-2130 • FAX: (520) 881-4983  
www.agmcontainer.com • sales@agmcontainer.com



ISO 9001:2000  
CERTIFIED

Form 7.2.26



# Moving Pallet-Loads In-Plant or Interplant? Amazing Reusable Pallet Strap Eliminates Costly Throwaway Banding and Shrink Wrap

## Saves Time, Saves Money and Helps Save the Environment



In-plant pallet load secured with KevLok Tie Down Straps



Over-center KevLok buckles apply tension to high-strength (1000 lb) cordura web straps quickly and easily without tools. 300 lb. polypropylene web straps also available.

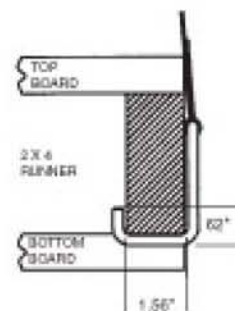
**TO USE,** attach the pallet hooks to the runners either between the bottom boards or in the cut-out grooves of the runners. Then tighten and close as shown in the photo instructions below.

**NOTE:** Two top corner boards may be required to unitize pallet load (as shown in above photo.)



**The amazing over-center buckle that meets every requirement**

- Simple installation
- Easily adjustable
- Positive lock-in tensioning
- Quick release
- Operation unaffected by sand, mud, ice or saltwater.



### Features Runner Hooks That Won't Damage Pallets!

The pallet hooks (1000 lb. tensile) fit snugly around standard 2x4 runners (actual dimensions are 1 1/2" x 3 1/2") without damaging wood.

The hooks (with webbing attached) have an extremely low profile (3/16") against the outside of the runners, so that the same number of pallets can be loaded as with any conventional alternative.

**Faster and easier to use than either  
disposable banding or shrink wrap.  
And they're environmentally  
friendly - no waste to dispose of.**

## Using the KevLok Buckle is as Easy as 1-2-3



**1. TO TIGHTEN:** With fastener open, take up slack using pull tab.



**2. TO CLOSE:** Press lever of fastener down to lock position. If too much force is required to close, slacken strap slightly.



**3. TO RELEASE:** Pull up on free end of strap using pull tab.



**Call Toll Free 1-800-995-5590**

**KevLok® Pallet Tie Down Straps**  
(Patent No. 5,809,620)

3526 E. Ft. Lowell Road • PO Box 40020 • Tucson, Arizona 85717-0020 • FAX:(520) 881-4983

Form: 7.2.30A Rev: 1



**Marine  
Tie Downs**

**KevLok® Products · AGM Container Controls Inc**  
PO Box 40020 · Tucson AZ 85717-0020  
Tel: 520-881-2130 · Fax: 520-881-4983  
E-Mail: [sales@agmcontainer.com](mailto:sales@agmcontainer.com)

**Boat & Personal Watercraft Tie Downs**

Inboard/Outboard & Personal Watercraft Tie Downs RC6240 \$24.95

Heavy-duty S-Hooks (upper hook is vinyl coated) attach to ski tow eyes on boat and trailer. Anti-scuff pad under fastener protects boat finish. \*Can be used to tie off back of Personal Watercraft. Strap adjusts from 15-40 in. 2 straps per package Available in Black, Blue, Gray & Red



Personal Watercraft Tie Down RC6260 \$12.50

Heavy-duty S-Hook (upper hook is vinyl coated) Attach to ski tow eye on Personal Watercraft and trailer. Anti-scuff pad under fastener protects watercraft finish. \*Can be used as a Bow Tie Down. Strap adjusts from 15-40in. 1 strap per package. Available in Black, Blue, Gray and Red



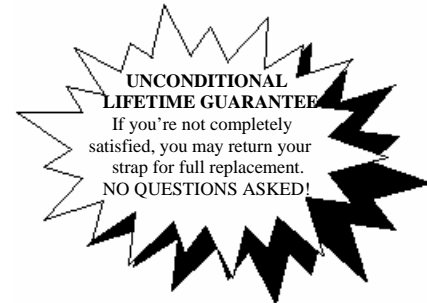
**Fuel/Battery Tie Downs RC6410 \$ 9.95**

To secure fuel tank or battery box. Continuous loop strap with quick disconnect. Adjusts from 4 ft down to less than 1 ft. 2 ea metal retaining clips included. 1 strap per package. Available in Black, Blue & Red



Stainless Steel Fuel/Battery RC6450 \$17.50

Same as the standard Fuel/Battery Tie Down, except uses stainless hardware. 1 strap per package Available in Black ONLY



**MONEY BACK GUARANTEE - Return tie downs in the original package within 7 days for refund if not satisfied. AGM assumes no liability for damage which may result from overloading or misuse of the strap assemblies or any part thereof.**

**KEVLOK PRODUCTS · AGM CONTAINER CONTROLS INC**  
PO BOX 40020 · TUCSON AZ 85717-0020  
TEL: 520-881-2130 · FAX: 520-881-4983 · EMAIL: [sales@agmcontainer.com](mailto:sales@agmcontainer.com)

| QUANTITY                                       | PART NO. | COLOR | PRICE/EA   | AMOUNT |
|--|----------|-------|------------|--------|
|  | RC6240   |       | \$24.95 EA |        |
|  | RC6260   |       | \$12.50 EA |        |
|  | RC6410   |       | \$ 9.95 EA |        |
|  | RC6450   |       | \$17.50 EA |        |
| <b>SUB-TOTAL</b>                               |          |       |            |        |
| <b>ARIZONA RESIDENTS ADD 7.6% SALES TAX</b>    |          |       |            |        |
| <b>CALIFORNIA RESIDENTS ADD APPLICABLE TAX</b> |          |       |            |        |
| <b>TOTAL</b>                                   |          |       |            |        |

Name \_\_\_\_\_

Address \_\_\_\_\_

City \_\_\_\_\_ State \_\_\_\_\_ Zip \_\_\_\_\_

Tel: \_\_\_\_\_ Fax: \_\_\_\_\_

UPS Shipping Address (if different)

\_\_\_\_\_

\_\_\_\_\_

Check or Money Order enclosed (we pay freight) Amount \$ \_\_\_\_\_

Charge my  MasterCard  VISA

Acct # \_\_\_\_\_ Expiration \_\_\_\_\_

Signature \_\_\_\_\_

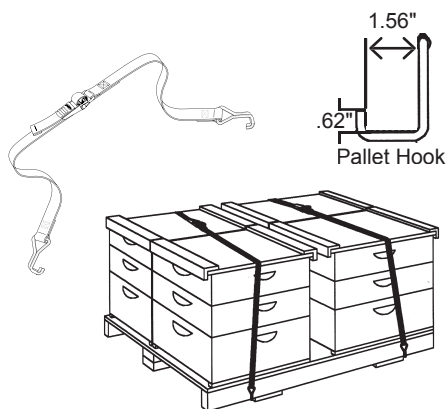
**COLORS: BLACK·BLUE·RED·GRAY (I/O & Personal Watercraft ONLY)**

**PRICES SUBJECT TO CHANGE WITHOUT NOTICE**



## FOR THE BEEHIVE INDUSTRY

### BEEHIVE PALLET STRAP



For easy transportation of Beehives, made especially for pallets. **Straps are sold 4 per box.**

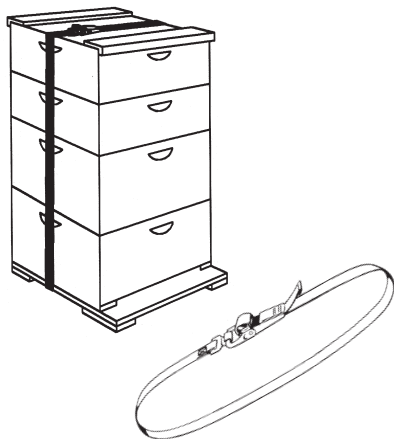
Available in lengths of 7 ft. and 10 ft. with Pallet Hooks on each end. These are the maximum lengths and can be adjusted down to approximately 1 ft.

Non-slip, 1" Bulked Nylon webbing - color: Yellow

BH6800 - 7 ft. strap (4 per box)

BH6801 - 10 ft. strap (4 per box)

### BEEHIVE BANDING STRAP



For easy transportation of Beehives. Reusable. Adjustable. Easy to apply. Easy to remove. Won't damage cargo. Holds constant tension and the whole procedure takes only a FEW SECONDS! **Straps are sold 5 per box.**

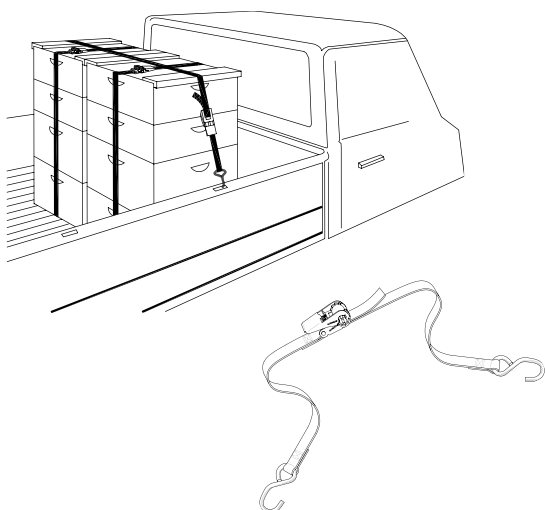
Available in lengths of 9 ft. and 12 ft. These are the maximum lengths and can be adjusted down to approximately 1 ft.

Non-slip, 1" Bulked Nylon webbing - color: Yellow

BH6109 - 9 ft. strap (5 per box)

BH6112 - 12 ft. strap (5 per box)

### TRUCK LOAD STRAP WITH RATCHET BUCKLE



For temporary attachment to eye bolts, slots or rods in order to secure your beehives in a truck. **Straps are sold 2 per box.**

Available in lengths of 15 ft. (suitable for pickup trucks) and 25 ft. (suitable for flatbed or other large trucks), with vinyl coated "S" hooks on each end. These are the maximum lengths and can be adjusted down to approximately 2 ft.

Non-slip, 1" Bulked Nylon webbing - color: Gray

BH6603 - 15 ft. strap (2 per box)

BH6602 - 25 ft. strap (2 per box)

CAUTION: Overtightening may cause damage to load.

**Custom lengths are available for all straps (\$75 min.). Call for more information (800) 995-5590**