



Tie Down Shelving



KevLok® Tie Down Shelving Passed Both Lightweight & Medium Weight MIL-S-901D "Hammer" Tests



**ISO 9001:2000
CERTIFIED**



AGM CONTAINER CONTROLS, INC.
PO BOX 40020 • TUCSON ARIZONA 85717-0020
Tel: 800-995-5590 (520) 881-2130 • Fax: (520) 881-4983
www.agmcontainer.com • sales@agmcontainer.com



Sustaining
Member

CATALOG 04K

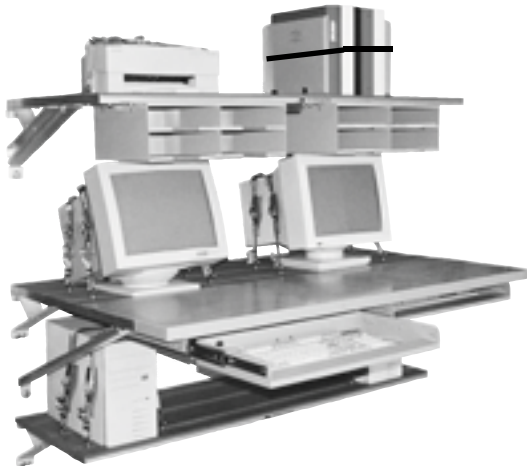


Tie Down Shelving

AGM CONTAINER CONTROLS, INC.
PO BOX 40020 • TUCSON ARIZONA 85717-0020
Tel: 800-995-5590 (520) 881-2130 • Fax: (520) 881-4983
www.agmcontainer.com • sales@agmcontainer.com

CHARACTERISTICS

ACCOMMODATES ANY SIZE OR SHAPE EQUIPMENT



Above: Typical computer workstation on U.S.S. Ronald Reagan Nuclear Carrier.

Now you can tie down and use portable equipment and instruments in trucks, vans, trailers, ships, aircraft, carts—quickly, easily and securely. Vinyl padded lightweight aluminum shelving has recessed channels for KevLok® tie down straps with quarter-turn end fittings. Straps adjust from 11 to 60 inches. For more information on our Tie Downs, ask for Catalog “T.”



Above: Service vehicle equipped with Tie Down Shelving.

FEATURES

- POSITIVE EQUIPMENT TIE-DOWN
- EASY TO USE
- RUGGED—MEETS MIL-S-901D REQUIREMENTS FOR GRADE A, CLASS I EQUIPMENT
- MINIMUM MAINTENANCE
- SMOOTH, UNOBTRUSIVE SHELF SURFACE
- EASILY INSTALLED
- ATTENUATES SHOCK UP TO 90%
- USUALLY ELIMINATES NEED FOR INSTRUMENT RECALIBRATION AFTER TRANSPORT

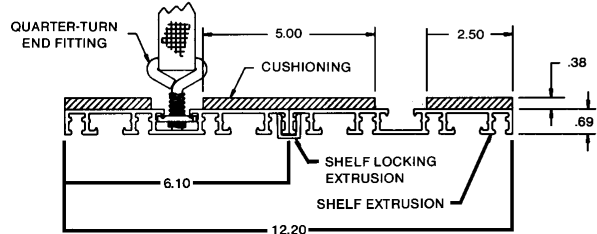
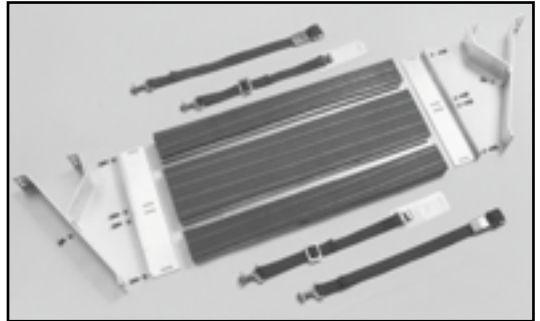
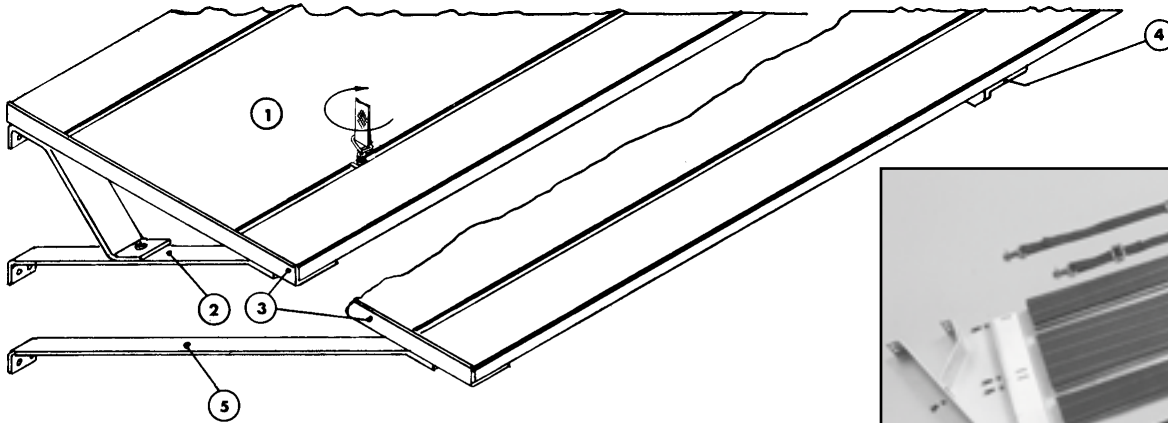




Tie Down Shelving

AGM CONTAINER CONTROLS, INC.
 PO BOX 40020 • TUCSON ARIZONA 85717-0020
 Tel: 800-995-5590 (520) 881-2130 • Fax: (520) 881-4983
 www.agmcontainer.com • sales@agmcontainer.com

ORDERING INFORMATION



Complete kit ("A" configuration) comes with all hardware shown above (plus braces for 24.40 inch widths). Available in 12.20, 18.30 and 24.40 inch widths, and in lengths up to 144.00 inches. For other sizes, contact AGM.

Replacement strap accessories available as AGM P/N CT1109.



Length in inches to the nearest .01 inch ($\pm .10$ inch). Lengths are produced according to customer specifications up to 144 inches.

Nominal width: 12, 18 or 24 inches (*actual width 12.20, 18.30 or 24.40 inches). Larger widths available. Must be in increments of 6 inches (6.1 inches).

CONFIGURATION

(A, B, C, D, E, F, G, H, W, WN)

CONFIGURATION	ITEM									
	1 PADDED SHELF	2† BRACKETS	3 END CAPS	4† STIFFENERS	5 BRACES 24" SHELF	6†† STRAP ASSY'S	7††† PLASTIC END CAPS	8 WRITING SURFACE 18"	9 WRITING SURFACE 13"	10 KEYBOARD TRAY
A	X	X	X	X	X	X	-	-	-	-
B	X	X	X	X	X	-	-	-	-	-
C	X	-	X	-	-	X	-	-	-	-
D	X	-	X	-	-	-	-	-	-	-
E	X	-	-	-	-	X	-	-	-	-
F	X	-	-	-	-	-	-	-	-	-
G	X	-	-	-	-	X	X	-	-	-
H	X	-	-	-	-	-	X	-	-	-
W	X	X	X	X	X	X	-	X	-	X
WN	X	X	X	X	X	X	-	-	X	X

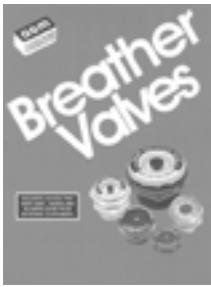
EXAMPLE: KC18-4800 (18.30 inch wide 48.00±10 inch long shelf with END CAPS and 4 STRAPS, but no BRACKETS or STIFFENERS. If your application requires additional STIFFENERS, BRACKETS, STRAPS or special design, please contact AGM.

†STIFFENERS and additional BRACKETS added for lengths over 36 inches and for every additional 36 inches or increment thereof.

††A minimum of two STRAPS supplied, one additional STRAP supplied for each foot of shelving or increment thereof over 24 inches in length. Straps adjust from 11 to 60 inches.

†††PLASTIC END CAPS are used in lieu of item 3 on G & H configurations to conceal exposed ends.

QUALITY PRODUCTS FROM



Catalog "B"



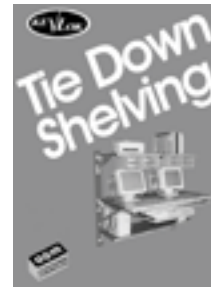
Catalog "IP"



Catalog "D"



Catalog "T"



Catalog "K"



Catalog "SD"



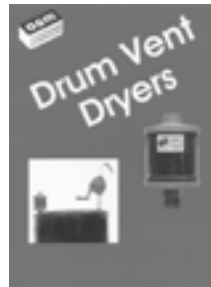
Catalog "H"



Catalog "R"



Catalog "P"



Catalog "DV"



Catalog "S"



Catalog "SW"

AGM CONTAINER CONTROLS, INC., backed by four decades of leadership in the manufacture of container hardware, has developed many products for military, electronic and industrial packaging, handling, storage and transportation applications. Individual catalogs (illustrated above) describing these products are available upon request. You are also cordially invited to phone, fax or e-mail for specific information regarding custom design, or to request assistance on your current and future requirements.

BREATHING VALVES Prevent excessive pressure or vacuum buildup in sealed containers, reducing weight, cube and cost. Meet SAE AS27166. Related item: Manual Relief Valves.

IMMERSION PROOF BREATHERS Permit air pressure equalization, but keep out liquid water. For use on membrane keyboards and similar pressure sensitive equipment that must operate under rain or water submersion conditions.

DESICCATORS Standard and custom-designed static drying units to fit a wide variety of applications. Valves and/or humidity indicators can be incorporated.

TIE DOWNS Patented over-center action of KevLok® fastener locks in tension. Adjustable. Holds tight, with quick release. Assemblies for military, industrial and recreational purposes. Also available: ratchet and cam buckle assemblies.

TIE DOWN SHELVE For transport of delicate instruments in vans, trailers, etc. Meets Navy MIL-S-901D shock test for shipboard use. Padded aluminum shelving has recessed channels which accept adjustable KevLok® straps with quick attach/release end fittings.

SHELTER STATIC DEHUMIDIFIERS (SSD) Protect COTS equipment in mobile shelters for up to two years on a single bulk desiccant charge. Can be recharged from outside shelter.

HUMIDITY INDICATORS Provide external monitoring of humidity levels inside containers. Meet SAE AS26860. Related items: Propellant Leak Detectors and Observation Windows.

RECORDS HOLDERS Provide access to documentation or accessories without opening container. Records Holders compartment is sealed from the inside of the container.

DESICCANT AGM is a stocking distributor of Süd-Chemie Performance Packaging's Desi Pak® (which exceeds MIL-D-3464E requirements maintained within MIL-STD-2073-1C), Sorb-It®, Tri-Sorb®, Desi View® and Container Dri® products. Custom packaging of bulk desiccant available.

DRUM VENT DRYERS Prevent contamination of chemical products (powders, liquids and semi-solids) in 55-gallon storage drums. Reusable – saturated color change silica gel desiccant is easily replaced.

SHOCKMASTER® Shock overload indicators provide low-cost detection of transport and handling damage. Compact, accurate and reusable. "Red-flags" shipments which have been subjected to excessive shock or vibration.

SHOCKWATCH Single-use impact-detection device guards against careless handling. Self-adhesive label incorporates a tiny liquid filled tube that turns red when package is dropped.

Employee
Owned



AGM CONTAINER CONTROLS, INC.
3526 E FT LOWELL RD • PO BOX 40020 • TUCSON AZ 85717-0020
TEL: 800-995-5590 (520) 881-2130 • FAX: (520) 881-4983
www.agmcontainer.com • sales@agmcontainer.com



ISO 9001:2000
CERTIFIED

Form 7.2.27