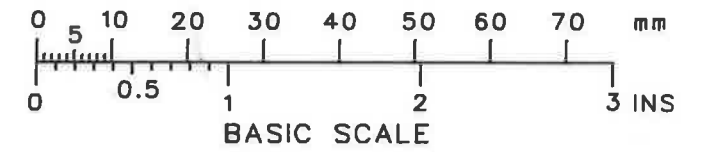


DRG No
BL/E 1005/04 INST
USED ON

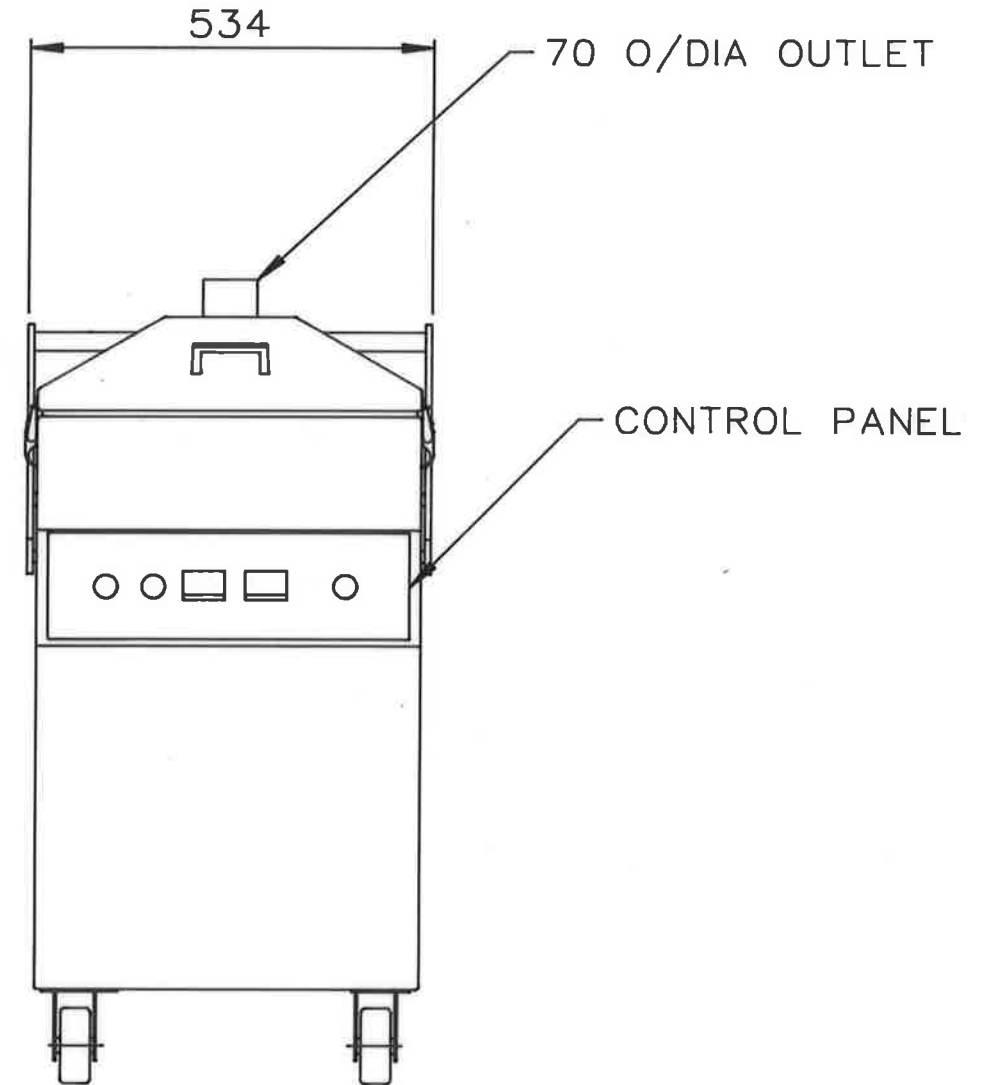
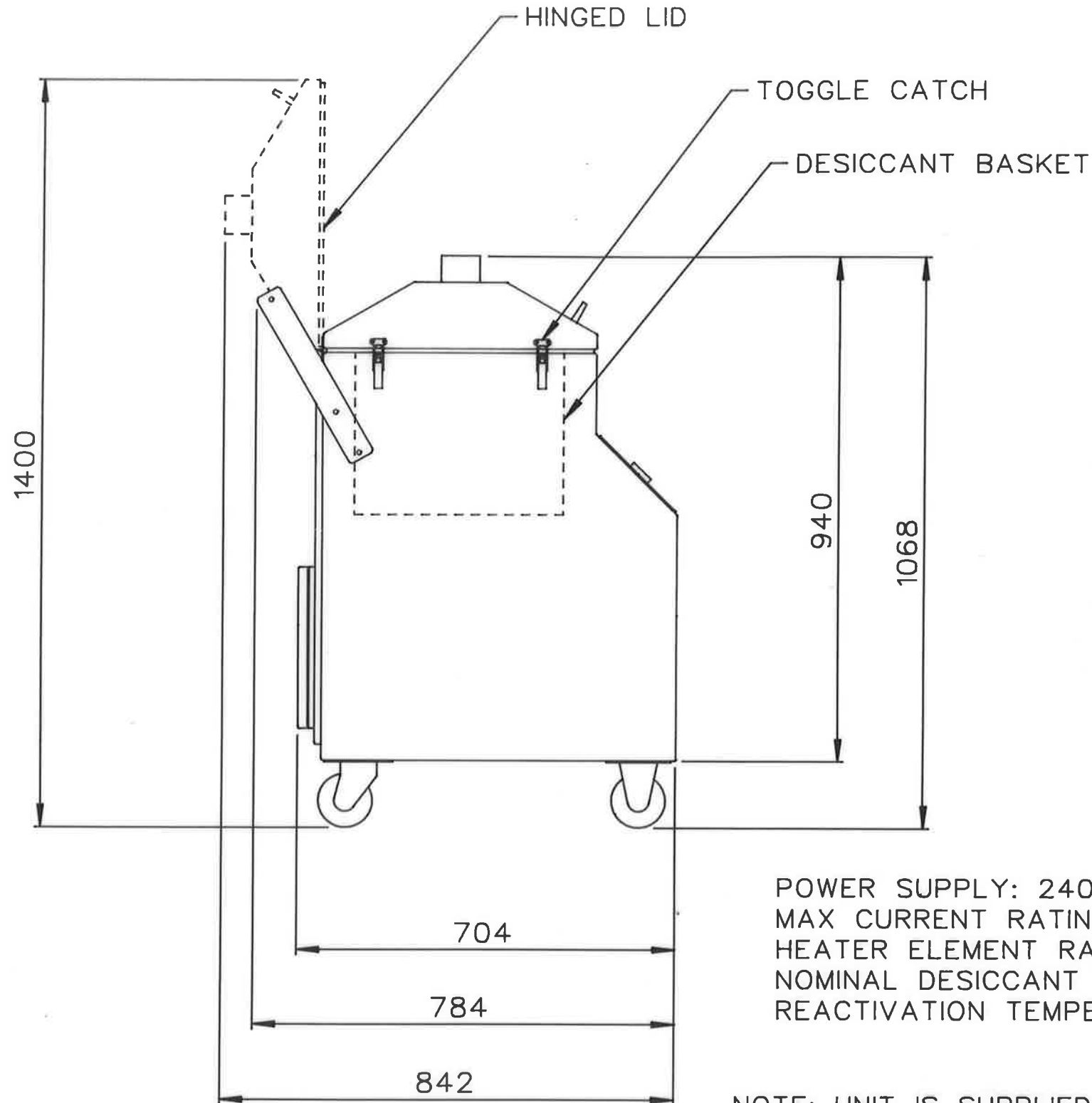
THIRD ANGLE PROJECTION

REMOVE ALL SHARP EDGES UNLESS SPECIFIED

DO NOT SCALE - ASK



THIS DESIGN IS THE PROPERTY OF BROWNELL LTD
AND MAY NOT BE COPIED OR REPRODUCED
WITHOUT THEIR PRIOR WRITTEN PERMISSION



POWER SUPPLY: 240Vac 50-60Hz
MAX CURRENT RATING: 15A
HEATER ELEMENT RATING: 3kW
NOMINAL DESICCANT CAPACITY: 25kg
REACTIVATION TEMPERATURE: 120 °C

NOTE: UNIT IS SUPPLIED WITH A 5 METRE
OUTLET HOSE & 2 HOSE CLAMPS.

		A	12/10/00
CHANGE	MOD No	ISSUE	DATE

MATERIAL	PROTECTIVE FINISH	TOLERANCES UNLESS STATED	±10	BROWNELL LIMITED LONDON NW10	CUSTOMER REF.	DRAWN	CHECKED
MILD STEEL	PAINTED	DIMNS IN #S/mm		TITLE		LJ	
EST. WT. —		SCALE (ORIGINAL)	1 : 10	DESICCANT REACTIVATION UNIT SERIES 2 MK 9	DRAWING No		
					BL/E 1005/04 INST		