

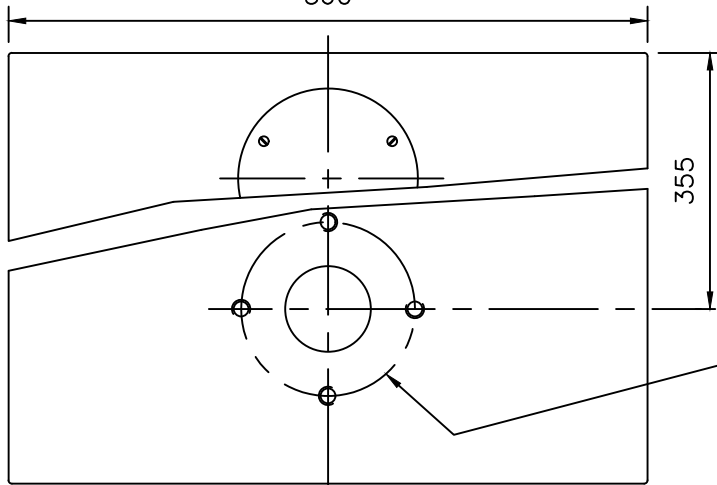
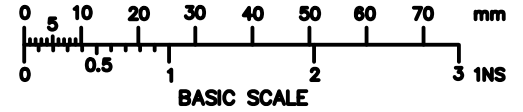
DRG No
BL/D9882/02 INST

THIRD ANGLE PROJECTION

USED ON

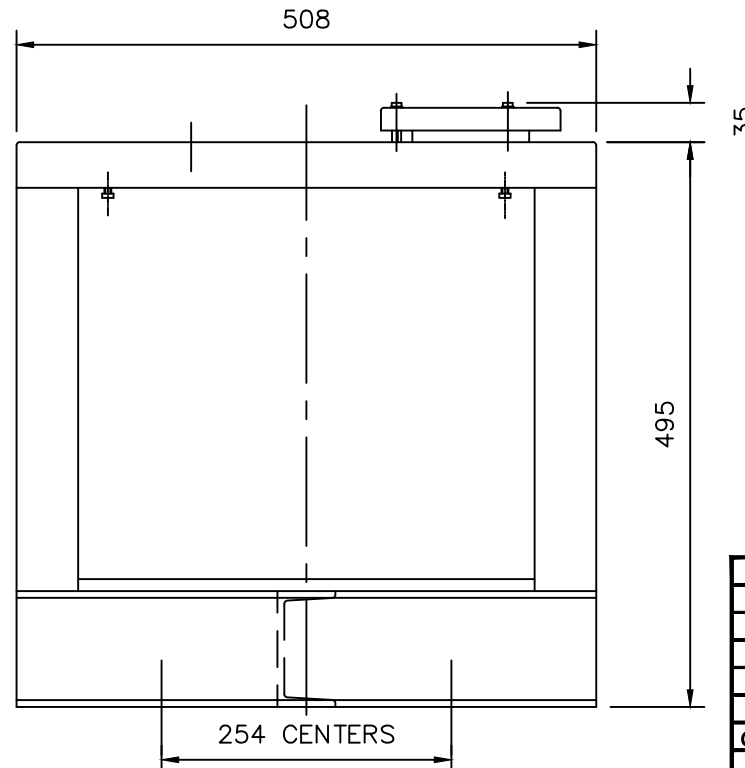
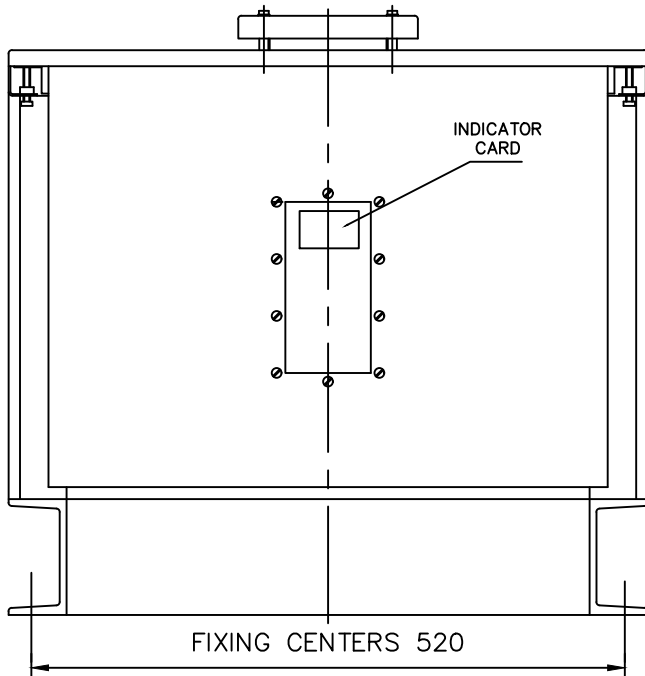
REMOVE ALL SHARP EDGES UNLESS SPECIFIED

DO NOT SCALE - ASK



NOTE :-
FILLED WITH 50Kg OF MOLECULAR SIEVE DESICCANT

FIXINGS FOR ANSI CLASS 125 80mm FLANGE (M16)



| | | | |
|--|--|--|--|
| | | | |
| | | | |
| | | | |
| | | | |
| | | | |
| | | | |
| | | | |
| | | | |
| | | | |
| | | | |

| | | | |
|----------|--------|------|----------|
| ORIGINAL | MOD No | 1 | 09-03-06 |
| CHANGE | ISSUE | DATE | |

| | | |
|--|-------------|---------|
| ● RED DOT=ORIGINAL ● BLACK DOT=COPY | DRAWN PK | CHECKED |
|--|-------------|---------|

DRAWING NUMBER
BL/D9882/02 INST

MATERIAL
STEEL

PROTECTIVE FINISH
PHOSPHATE DEF STAN
03-11 CLASS 2
POLYESTER POWDER
COAT BLUE

TOLERANCES
±3
DIMENSIONS IN in/mm mm
SURFACE ROUGHNESS
SCALE (ORIGINAL) 1:5

BROWNELL Ltd. LONDON NW10 7XF

TITLE
MODEL M630 TANK DRYER

EST. WT. _____

THIS DESIGN IS THE PROPERTY OF BROWNELL LIMITED AND MAY NOT BE COPIED OR REPRODUCED WITHOUT THEIR PRIOR WRITTEN PERMISSION