

DRAWING NUMBER
BL/D9882/01 INST

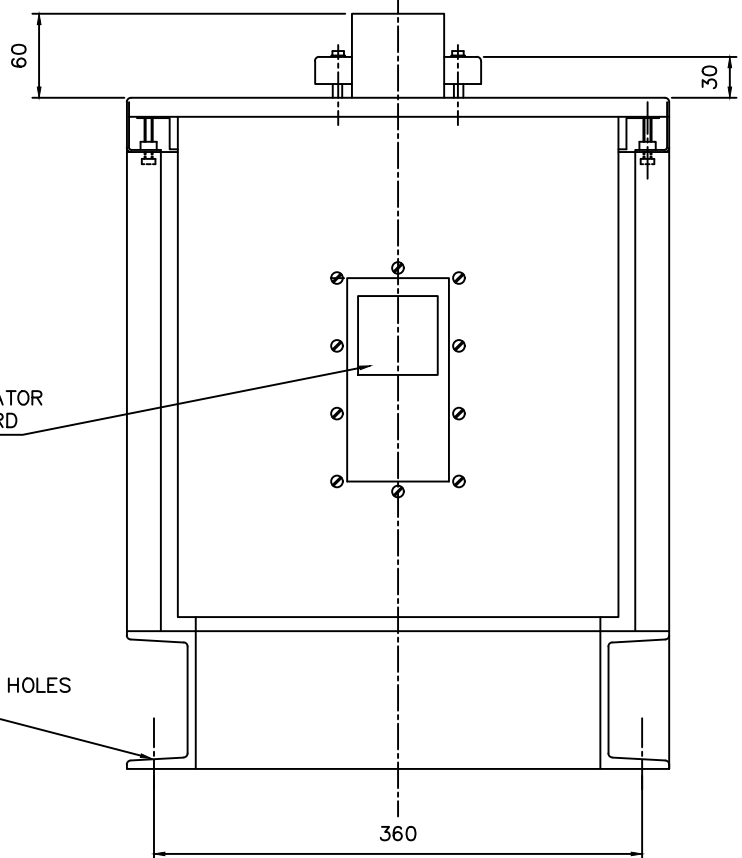
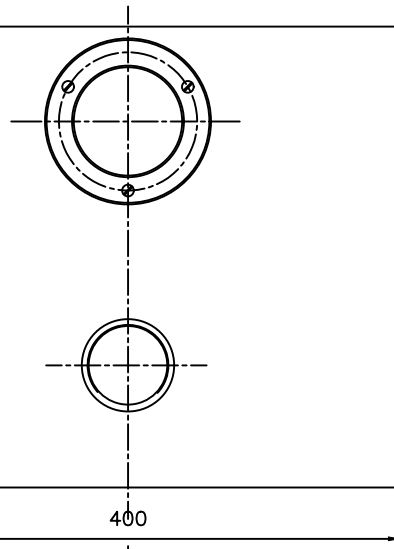
USED ON

THIRD ANGLE PROJECTION

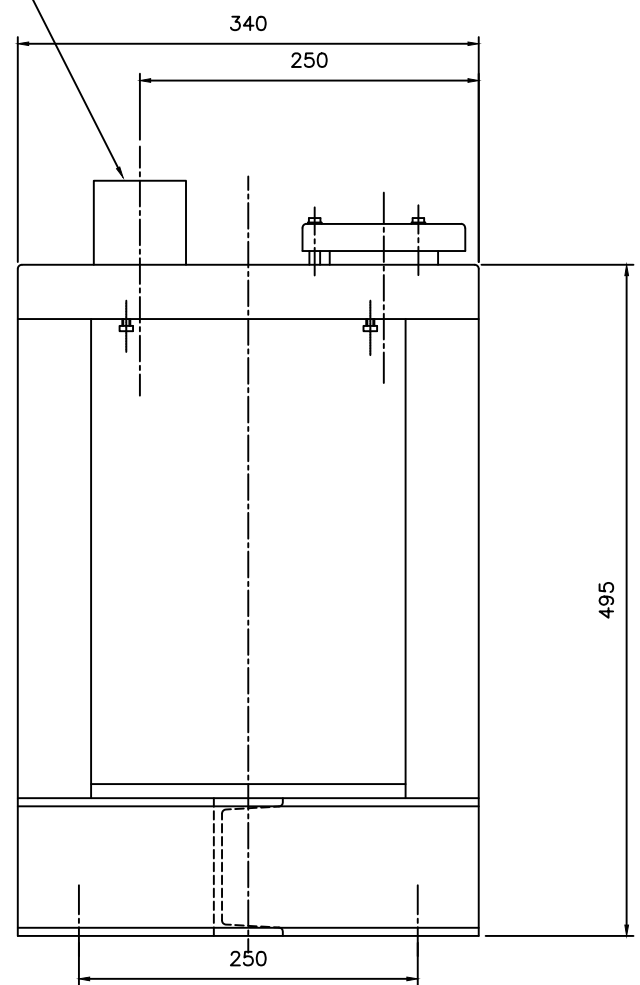


NOTE :-

FILLED WITH MOLECULAR SIEVE DESICCANT



2" BSP



INDICATOR CARD

Ø14 FIXING HOLES
4 OFF

ORIGINAL	1	12-01-00
CHANGE	MOD No	ISSUE DATE
RED DOT = ORIGINAL	PK	DRAWN CHECKED
BLACK DOT = COPY		
DRAWING NUMBER BL/D9882/01 INST		

MATERIAL MILD STEEL	PROTECTIVE FINISH PHOSPHATE TO DEF STAN Q3-11 CLASS 2 POLYESTER POWDER COAT BLUE	TOLERANCES ±3 DIMENSIONS IN IN/MM SURFACE ROUGHNESS SCALE NTS
------------------------	----------------------------------------------------------------------------------------------	---------------------------------------------------------------------------

BROWNELL Ltd. LONDON NW10 7XF	
TITLE MODEL M620 TANK DRYER	

THIS DESIGN IS THE PROPERTY OF BROWNELL LTD. AND MAY NOT BE COPIED OR REPRODUCED WITHOUT THEIR PRIOR WRITTEN PERMISSION