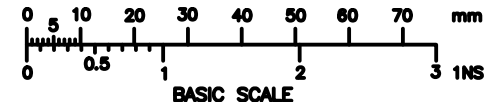


DRG No
BL/D9881/01-03 INST
 USED ON

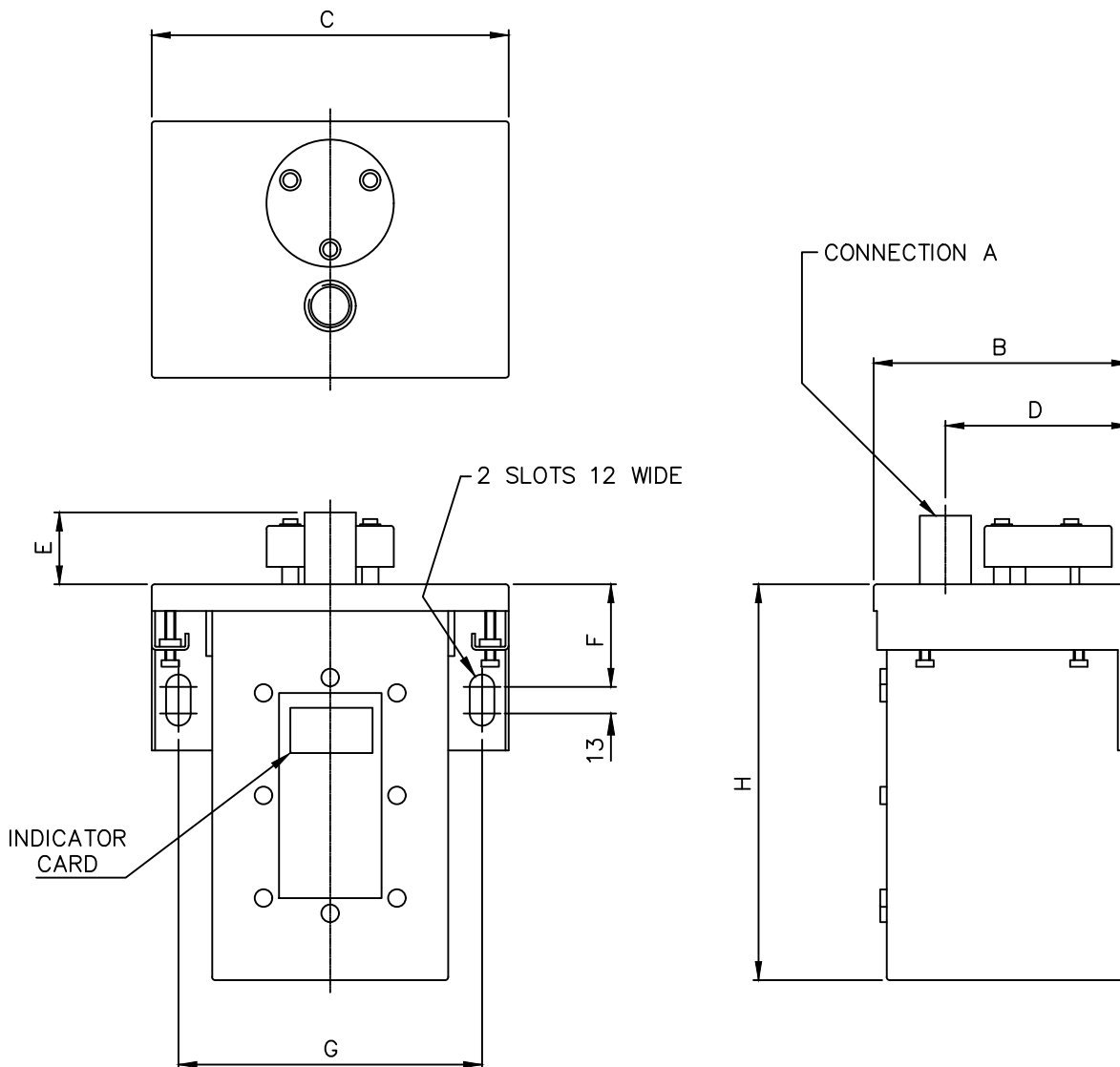
THIRD ANGLE PROJECTION

REMOVE ALL SHARP EDGES UNLESS SPECIFIED

DO NOT SCALE - ASK



THIS DESIGN IS THE PROPERTY OF BROWNELL LTD AND MAY NOT BE COPIED OR REPRODUCED WITHOUT THEIR PRIOR WRITTEN PERMISSION



DRG No	BL/D9881/01	BL/D9881/02	BL/D9881/03
MODEL	M605	M610	M615
DIMN A	0.5" BSP	1.0" BSP	1.5" BSP
DIMN B	125	171	256
DIMN C	174	220	305
DIMN D	90	125	190
DIMN E	35	45	48
DIMN F	50	50	50
DIMN G	146	194	260
DIMN H	193	381	381

NOTE: UNITS FILLED WITH MOLECULAR SIEVE DESICCANT.

ORIGINAL		1	09-03-06
CHANGE	MOD No	ISSUE	DATE
● RED DOT = ORIGINAL			
● BLACK DOT = COPY			
	DRAWN PK	CHECKED	

MATERIAL	PROTECTIVE TREATMENT	TOLERANCES UNLESS STATED	BROWNELL Ltd. LONDON NW10 7XF	
MILD STEEL	PHOSPHATE DEF STAN 03-11 CLASS 2 POLYESTER POWDER COAT BLUE	—	TITLE	
EST. WT. —		DIMNS IN INS/mm	MM	TANK VENT DRYERS
		SCALE (ORIGINAL)	N.T.S	DRAWING No
				BL/D9881/01-03 INST