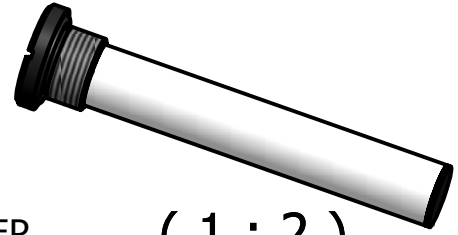


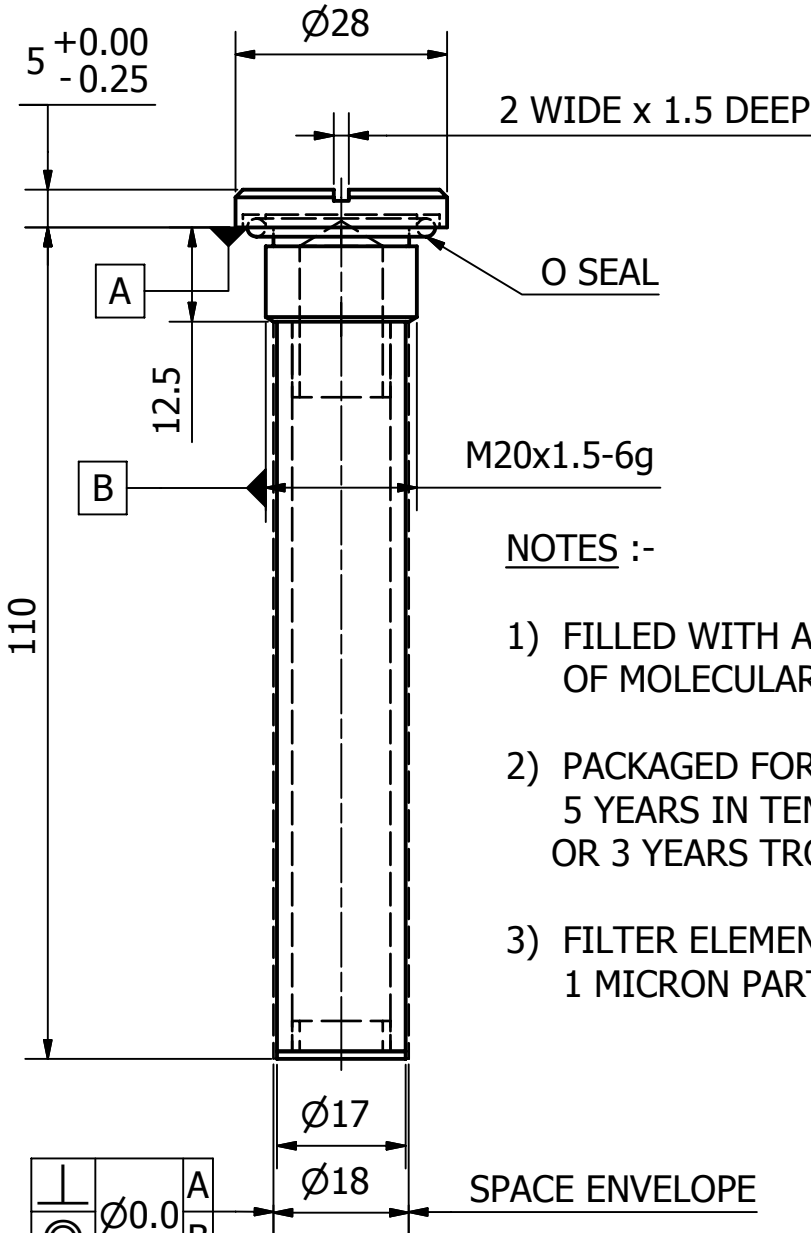
DRG No
BL/D9774 INST

THIRD ANGLE PROJECTION

USED ON



(1 : 2)



NOTES :-

- 1) FILLED WITH APPROX. 10 GRAMS OF MOLECULAR SIEVES DESICCANT
- 2) PACKAGED FOR A SHELF LIFE OF 5 YEARS IN TEMPERATE CONDITIONS OR 3 YEARS TROPICAL STORAGE.
- 3) FILTER ELEMENT FOR THE REMOVAL OF 1 MICRON PARTICULATES.

$\frac{\perp}{\text{C}}$	$\frac{\text{A}}{\text{B}}$
$\text{Ø}0.0$	

SPACE ENVELOPE

THIS DESIGN IS THE PROPERTY OF BROWNELL LTD, AND MAY NOT BE COPIED OR REPRODUCED WITHOUT THEIR PRIOR WRITTEN PERMISSION

MATERIAL ALUMINIUM ALLOY & EPOXY ESTER FILTER	PROTECTIVE FINISH				
	ALLY = ANODSIE & DYED BLACK	NSN ADDED	6178	2	22-12-05
EST. WT. -----	SURFACE ROUGHNESS	CHANGE	MOD No	ISSUE	DATE
DIMS IN MM	-----	TOLERANCES	0 = ±0.5 0.0 = ±0.25 0.00 = ±0.05		
SCALE 1:1	-----				
RED DOT = ORIGINAL BLACK DOT = COPY	BROWNELL LTD LONDON NW10 7XF		DRAWN	CHECKED	
			PK		

TITLE **NSN 4440-99-4221905**
DESICCATOR

DRAWING No.
BL/D9774 INST