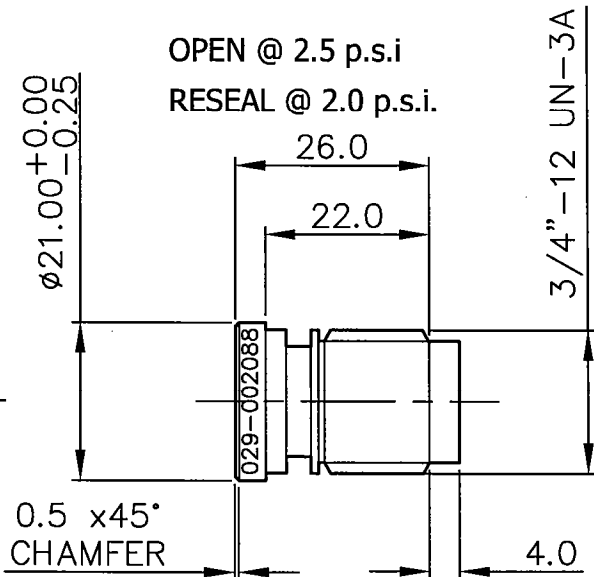
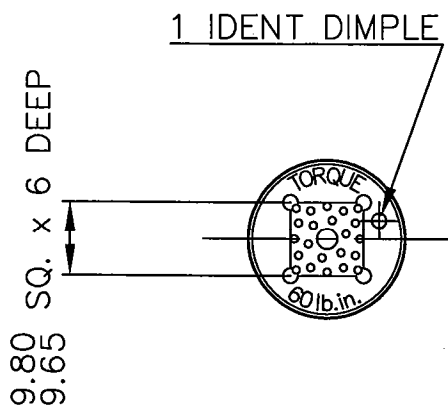


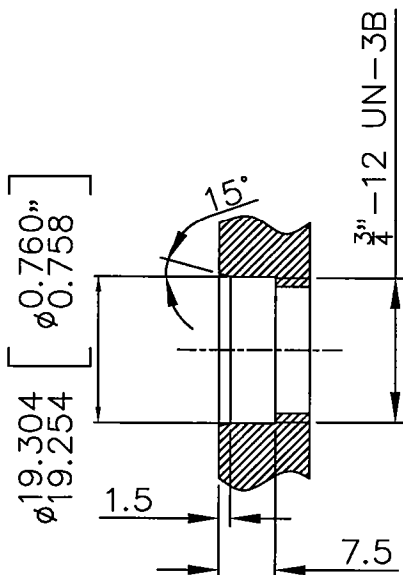
THIS DESIGN IS THE PROPERTY OF BROWNELL LTD. AND MAY NOT BE COPIED OR REPRODUCED WITHOUT THEIR PRIOR WRITTEN PERMISSION

DRG No
BL/D9397 INST
USED ON

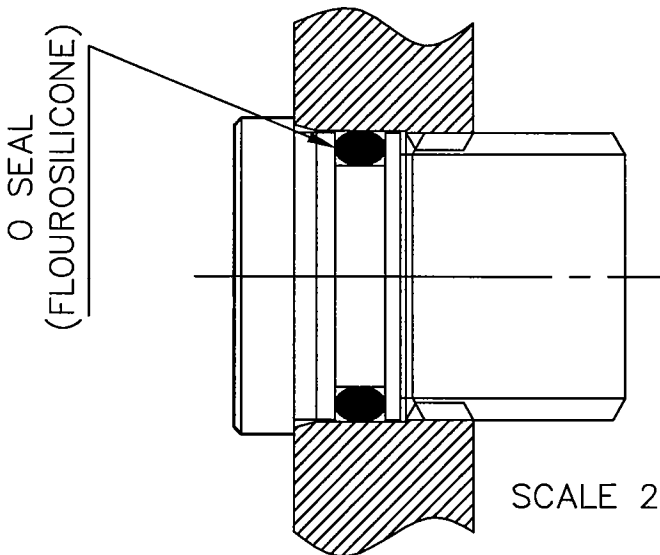
THIRD ANGLE PROJECTION



ADAPTOR FOR DESICCATOR



MOUNTING HOLE DETAIL



SCALE 2:1

DRG. No.	ADAPTOR
BL/D9397/01	NOT REQUIRED
BL/D9397/02	YES

MATERIAL ALUMINIUM ALLOY	PROTECTIVE FINISH ANODISE & DYE RED	TORQUE SETTING WAS 10 lb.in.	6196	10	26-04-06
		REDRAWN	6155	9	15-06-05
EST. WT. _____	SURFACE ROUGHNESS _____	CHANGE	6154	8	14-06-05
DIMS IN MM _____	TOLERANCES _____		MOD No	ISSUE	DATE
SCALE 1:1			±0.2		
RED DOT = ORIGINAL BLACK DOT = COPY	BROWNELL LTD LONDON NW10 7XF	DRAWN PK	CHECKED 		

TITLE TWO WAY PRESSURE
RELIEF VALVE

DRAWING No.
BL/D9397/01-02 INST