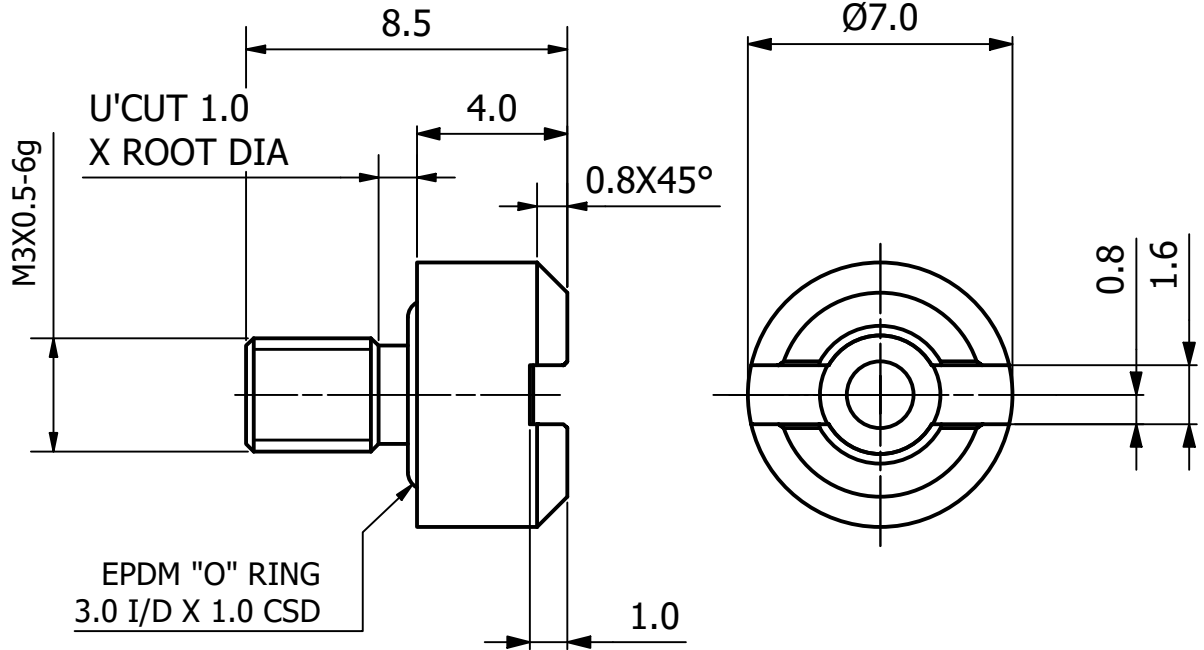


DRG No
BL/D 9290 INST

REMOVE ALL SHARP EDGES
UNLESS SPECIFIED

DO NOT SCALE - ASK

USED ON



NOTES:

1. PERFORMANCE SPECIFICATION:

NOMINAL FLOW RATE: 30cc/min AT 1" Wg.
85cc/min AT 6" Wg.

OPERATING TEMPERATURE RANGE: -40°C TO +75°C.



STORAGE TEMPERATURE RANGE: -50°C TO +85°C.

HUMIDITY: 0 TO 100%.

IMMERSION: DEPTH 1 METRE FOR A DURATION OF 2 HOURS.

2. MEMBRANE MATERIAL: MODIFIED ACRYLIC COPOLYMER CAST ON A NONWOVEN POLYESTER SUPPORT. POST TREATED FOR HYDROPHOBICITY THROUGH UV/E BEAM POLYMERIZATION.

THIS DESIGN IS THE PROPERTY OF BROWNELL LTD, AND MAY NOT BE COPIED OR REPRODUCED WITHOUT THEIR PRIOR WRITTEN PERMISSION

MATERIAL STAINLESS STEEL BS970 PT 1, 303S31	PROTECTIVE FINISH NATURAL (CLEAN FINISH)	MATERIAL	7253	7	21/01/21	
		MATERIAL CHANGED	6744	6	17/08/15	
		EXTERNAL CHAMFER ADJUSTED TO 0.8mm	6314	5	10/07/09	
		OUTER AND INNER CHAMFER CHANGED TO 0.1mmX45°	6309	4	22/05/09	
EST. WT.	-	THIRD ANGLE PROJECTION	CHANGE	MOD No	ISSUE	DATE
DIMS IN	mm	SURFACE TEXTURE	TOLERANCES : UNLESS OTHERWISE STATED	+/- 0.1		
SCALE	5:1	-				
 RED DOT = ORIGINAL  BLACK DOT = COPY	BROWNELL LTD			DRAWN	CHECKED	
	LONDON NW10 7XF			SKS	NP	
TITLE			DRAWING No.			
MINI BREATHER			BL/D 9290 INST			