

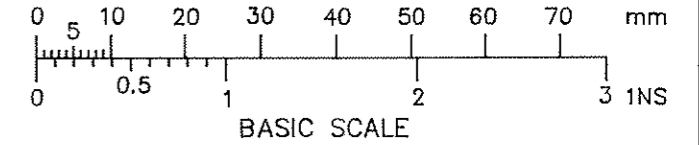
DRG No
BL/D9187 INST

THIRD ANGLE PROJECTION

USED ON

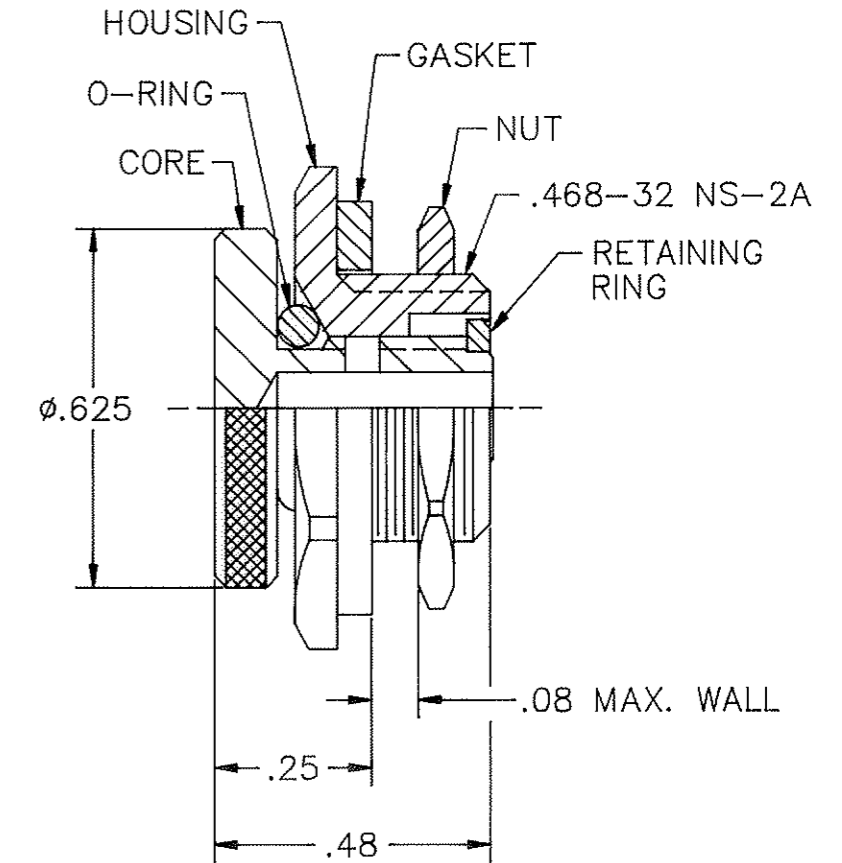
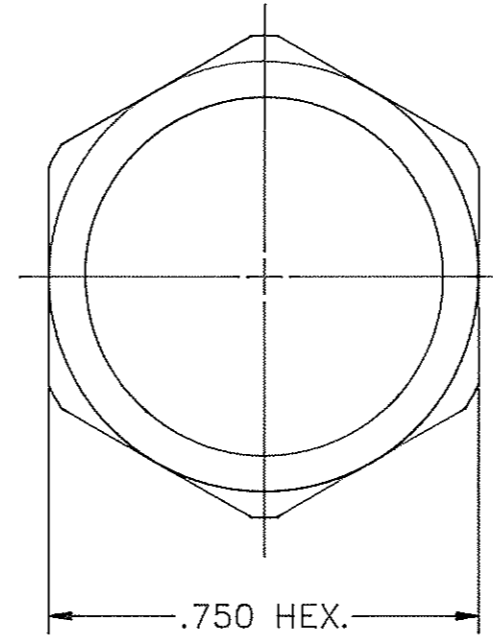
REMOVE ALL SHARP EDGES UNLESS SPECIFIED

DO NOT SCALE — ASK



NOTES UNLESS OTHERWISE SPECIFIED:

- 1. NOMENCLATURE: VALVE, MANUAL RELIEF.
- 2. APPLICABLE SPECIFICATION: MS18014--1 AS MODIFIED BY MATERIAL NOTE 5.
- 3. OPERATION:
 - 3.1 TO OPEN VALVE AND PERMIT PRESSURE EQUALIZATION ROTATE CORE COUNTERCLOCKWISE THREE (3) TURNS.
 - 3.2 TO CLOSE VALVE, ROTATE CORE CLOCKWISE THREE (3) TURNS OR UNTIL FINGER TIGHT.
- 4. PERFORMANCE: FLOW RATE THROUGH VALVE IN OPEN POSITION APPROXIMATELY 0.25 SCFM AT 0.60 PSID MAXIMUM.
- 5. MATERIALS:
 - 5.1 HOUSING, CORE, RETAINING RING AND NUT: ALUMINUM ALLOY 2024-T6, T4, OR T351 IAW QQ-A-225/6.
 - 5.2 O-RING: IAW MS9021-009
 - 5.3 GASKET: RUBBER IAW MIL-R-6855, CLASS 2, TYPE A, GRADE 60.
- 6. FINISH:
 - 6.1 ALUMINUM ALLOYS BLACK ANODIZED IAW MIL-A-8625, TYPE II, CLASS 2.
- 7. IDENTIFICATION: MANUAL RELIEF VALVE SHALL BE INDIVIDUALLY SEALED IN TRANSPARENT PLASTIC BAG AND LABELED AS FOLLOWS: MS18013-1
TA321
MFR 08992



		A	25/2/02
CHANGE	MOD No	ISSUE	DATE

MATERIAL SEE NOTE 5	PROTECTIVE FINISH SEE NOTE 6	TOLERANCES DECIMALS .XX ±.030 .XXX ±.010 ANGLES ±0.5°	CUSTOMER BROWNELL Ltd. LONDON NW10	CUSTOMER'S REF	DRAWN LJ	CHECKED A
EST. WT. —	DIMENSIONS IN INS/mm INS SCALE (ORIGINAL) 3:1		TITLE VALVE, MANUAL RELIEF	DRAWING NUMBER BL/D9187 INST		