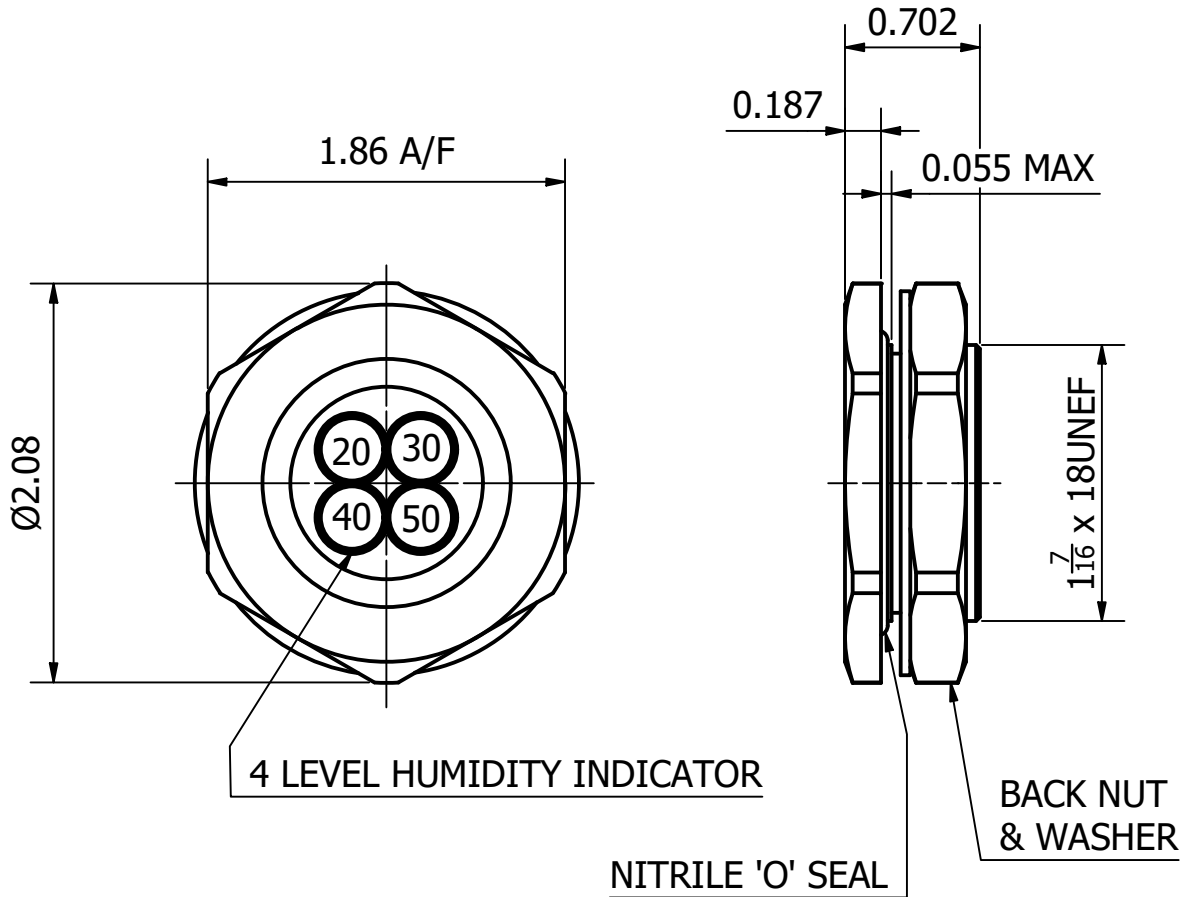


DRG No
BL/D9049 INST

REMOVE ALL SHARP EDGES
UNLESS SPECIFIED



DO NOT SCALE - ASK

USED ON



NOTE: BACK NUT, WASHER & THREAD ARE SURTEC 650V
FOR R.F. SCREENING CONTINUITY.

THIS DESIGN IS THE PROPERTY OF BROWNELL
LTD, AND MAY NOT BE COPIED OR REPRODUCED
WITHOUT THEIR PRIOR WRITTEN PERMISSION

MATERIAL ALUM ALLOY	PROTECTIVE FINISH ANODISED BLACK (UNLESS OTHERWISE STATED)				
		REDRAWN & NOTE CHANGED	7054	2	09/01/19
		ORIGINAL		1	25/07/01
EST. WT.	THIRD ANGLE PROJECTION	CHANGE	MOD No	ISSUE	DATE
DIMS IN	INS	TOLERANCES UNLESS OTHERWISE STATED	SURFACE TEXTURE	ANGULAR DIMS	LINEAR DIMS
SCALE	1:1		3.2 μ m(N8)	$\pm 0.5^\circ$	± 0.015
 RED DOT = ORIGINAL  BLACK DOT = COPY	BROWNELL LTD LONDON NW10 7XF		DRAWN	CHECKED	
			SKS	RB	
TITLE INDICATOR HUMIDITY PLUG (R.F. SCREENED)		DRAWING No. BL/D9049 INST			