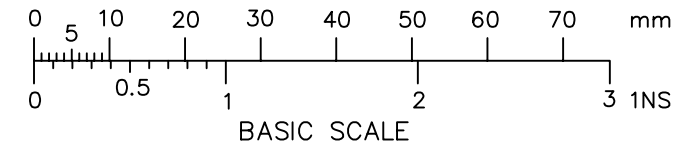


DRG No
BL/D8816 INST

THIRD ANGLE PROJECTION



USED ON

REMOVE ALL SHARP EDGES UNLESS SPECIFIED

DO NOT SCALE - ASK

NOTES.

1. PERFORMANCE CHARACTERISTICS:-

THE MICROPHONE BREATHER SHALL MEET THE FOLLOWING PRESSURE LIMITS AT A FLOWRATE OF 30cc/min

NOMINAL 5.75 INCHES WATER GAUGE @ 20cc/min

MINIMUM 4.25 INCHES WATER GAUGE @ 30cc/min

MAXIMUM 7.75 INCHES WATER GAUGE @ 40cc/min

2. ENVIRONMENTAL CHARACTERISTICS :-

THE MICROPHONE BREATHER SHALL MEET ITS PERFORMANCE SPECIFICATION WHEN SUITABLY MOUNTED, DURING EXPOSURE TO THE FOLLOWING ENVIRONMENTAL LIMITS

2.1 TEMPERATURE RANGE:- - 40 ° CENTIGRADE TO +85° CENTIGRADE

2.2 HUMIDITY:- ZERO TO 100% RELATIVE HUMIDITY

2.3 VIBRATION:- DEF STAN 00-35 PART 3/1 ISSUE 1, CHAPTER 2-10 TEST M1 PARA 5.2.4 (a) i, RANDOM 20-500Hz, AMPLITUDE 0.5gn/Hz, 3 HOURS IN EACH OF TWO PLANES

2.4 BUMP:- DEF STAN 07-55 PART 2 SECTION 1/1 TEST A5, 2000 BUMPS, PULSE DURATION 6ms, PEAK ACCELERATION 40gn

3. CHEMICAL AND BIOLOGICAL AGENTS:-

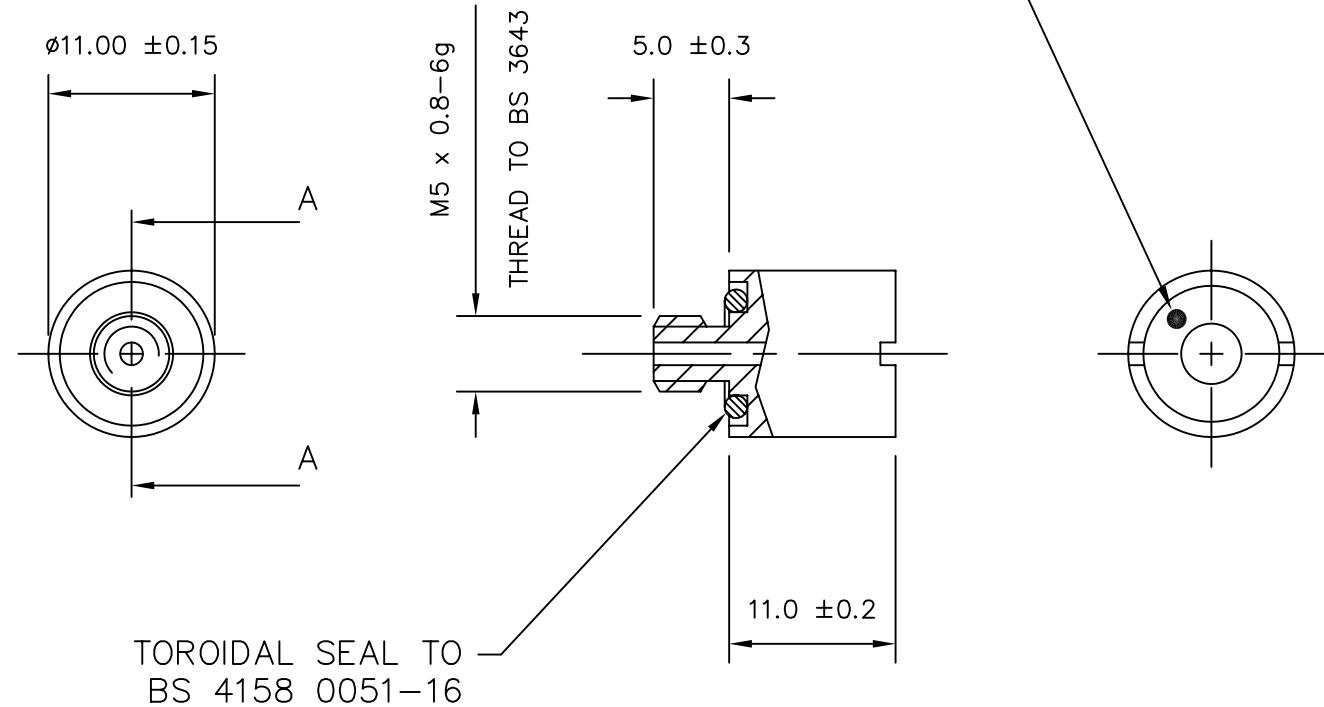
THE BREATHER ELEMENT SHALL BE MANUFACTURED FROM MATERIALS SUITABLE FOR WITHSTANDING CHEMICAL AND BIOLOGICAL CONTAMINATION, INCLUDING SEA SALT SPRAY, ORGANIC FLUIDS AND VAPOURS AND SPECIFICALLY ALCOHOL SOLVENTS AND CONCENTRATED BLEACH SOLUTIONS USED FOR DECONTAMINATION WASHERS AND CLEANING OPERATIONS.

FOR GUIDANCE, DEF STAN 00-50 ISSUE 1, "GUIDE TO CHEMICAL ENVIRONMENTAL CONTAMINANTS AND CORROSION AFFECTING THE DESIGN OF MILITARY MATERIAL", IS APPLICABLE.

IT IS NOT INTENDED TO SUBJECT BREATHERS TO CHEMICAL AND BIOLOGICAL TESTING, BUT TO ENSURE THE CORRECT SELECTION OF MATERIALS USED IN ITS CONSTRUCTION.

4. IMMERSION:- DEF STAN 07-55 PART 2, SECTION 4/1, TEST D5, SEVERITY "A".
0.15 meters, DURATION 2 HOURS.

PAINTED RED SPOT ADDED TO INDICATE THAT THE REVISED WATERPROOF MEMBRANE MATERIAL HAS BEEN FITTED



SCRAP SECTION AA

	6147	3	13-03-05
	6067	2	25-11-03
		1	4/10/00
CHANGE	MOD No	ISSUE	DATE

MATERIAL	PROTECTIVE FINISH	TOLERANCES	CONTRACTOR	RED DOT=ORIGINAL BLACK DOT=COPY	CUSTOMER'S REF	DRAWN	CHECKED
ALUMINIUM ALLOY	ANODISE TO DEF STAN 03-26 COATING THICKNESS 25um COLOUR BLACK	±0.5	BROWNELL Ltd. LONDON NW10			PGD	
EST. WT.		DIMENSIONS IN in/mm	TITLE	DRAWING NUMBER			
		mm	IMMERSION PROOF BREATHER HEAD	BL/D8816 INST			
		SURFACE ROUGHNESS					
		SCALE (ORIGINAL)	2:1				