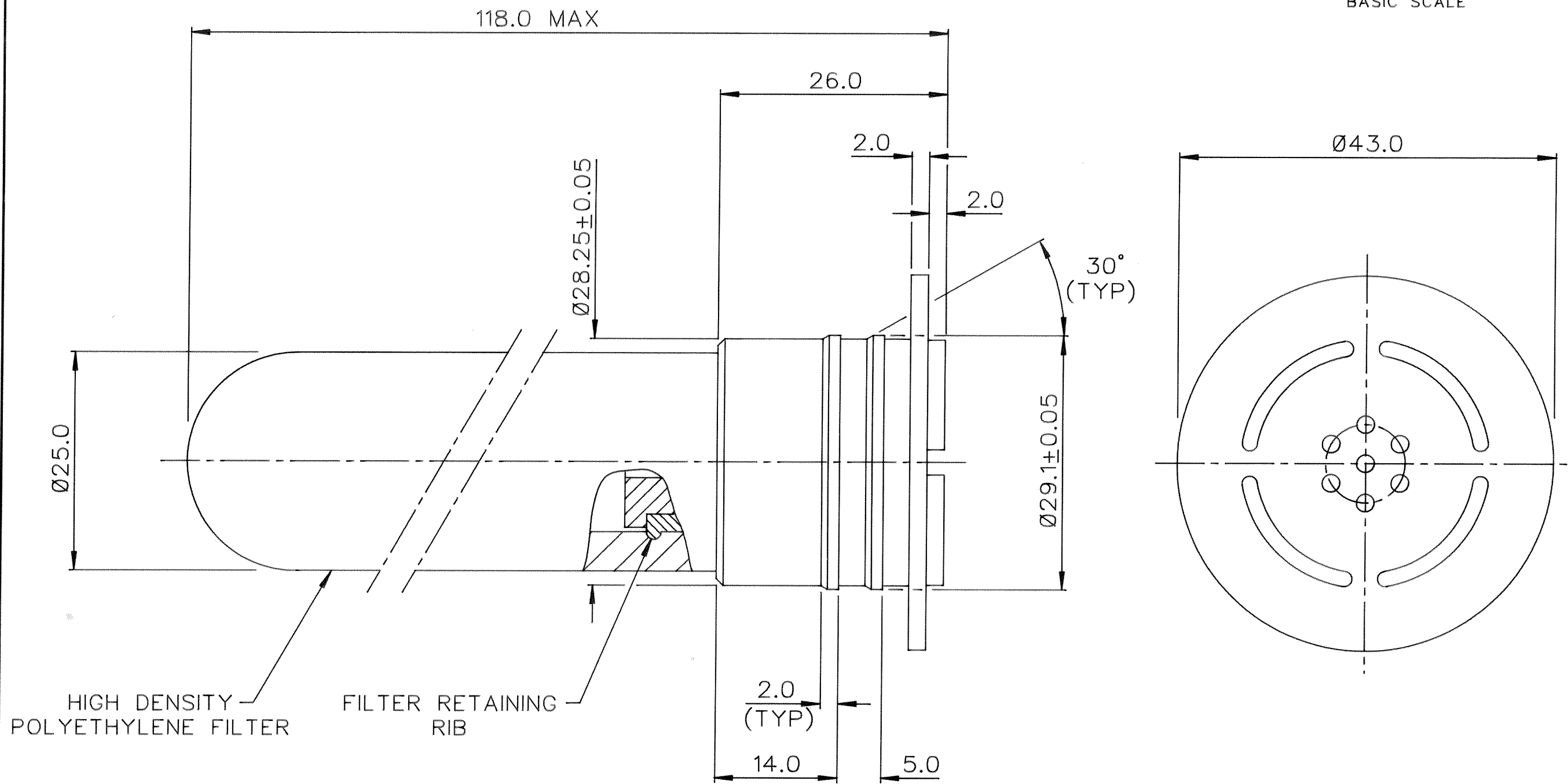
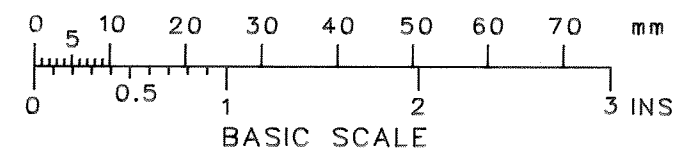


DRG No  
BL/D 8744 INST  
USED ON

THIRD ANGLE PROJECTION

REMOVE ALL SHARP EDGES UNLESS SPECIFIED

DO NOT SCALE - ASK



HIGH DENSITY POLYETHYLENE FILTER

FILTER RETAINING RIB

PERFORMANCE

TYPICAL OPENING PRESSURE 30 TO 50 mbar.  
TYPICAL FLOW RATE 10 L/MIN @ 70 mbar.

NOTE: ALL MATERIALS TO BE FDA APPROVED.

|                                               |        |       |          |
|-----------------------------------------------|--------|-------|----------|
| SECTION DETAIL CHANGED<br>RETAINING RIB ADDED | 5758   | 4     | 12/2/01  |
| REDRAWN                                       | 5707   | 3     | 11/10/00 |
|                                               | 5670   | 2     | 7/5/00   |
|                                               |        | 1     | 24/4/00  |
| CHANGE                                        | MOD No | ISSUE | DATE     |

|                                                                           |                                  |                                            |                                                   |                              |             |               |
|---------------------------------------------------------------------------|----------------------------------|--------------------------------------------|---------------------------------------------------|------------------------------|-------------|---------------|
| MATERIAL<br>HOUSING - NATURAL<br>POLYACETAL<br>VALVE - SILICONE<br>RUBBER | PROTECTIVE FINISH<br><br>NATURAL | TOLERANCES<br>UNLESS<br>STATED<br><br>±0.5 | BROWNELL LIMITED LONDON NW10                      | CUSTOMER REF.                | DRAWN<br>LJ | CHECKED<br>JK |
| EST. WT. —                                                                |                                  | DIMNS IN <del>mm</del> /mm                 | TITLE<br>LOW PRESSURE RELIEF VALVE<br>(FOOG VENT) | DRAWING No<br>BL/D 8744 INST |             |               |
|                                                                           |                                  | SCALE (ORIGINAL) 2 : 1                     |                                                   |                              |             |               |

THIS DESIGN IS THE PROPERTY OF BROWNELL LTD AND MAY NOT BE COPIED OR REPRODUCED WITHOUT THEIR PRIOR WRITTEN PERMISSION