

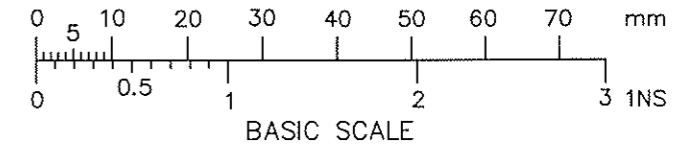
DRG No  
BL/D8668/01 INST

USED ON \_\_\_\_\_

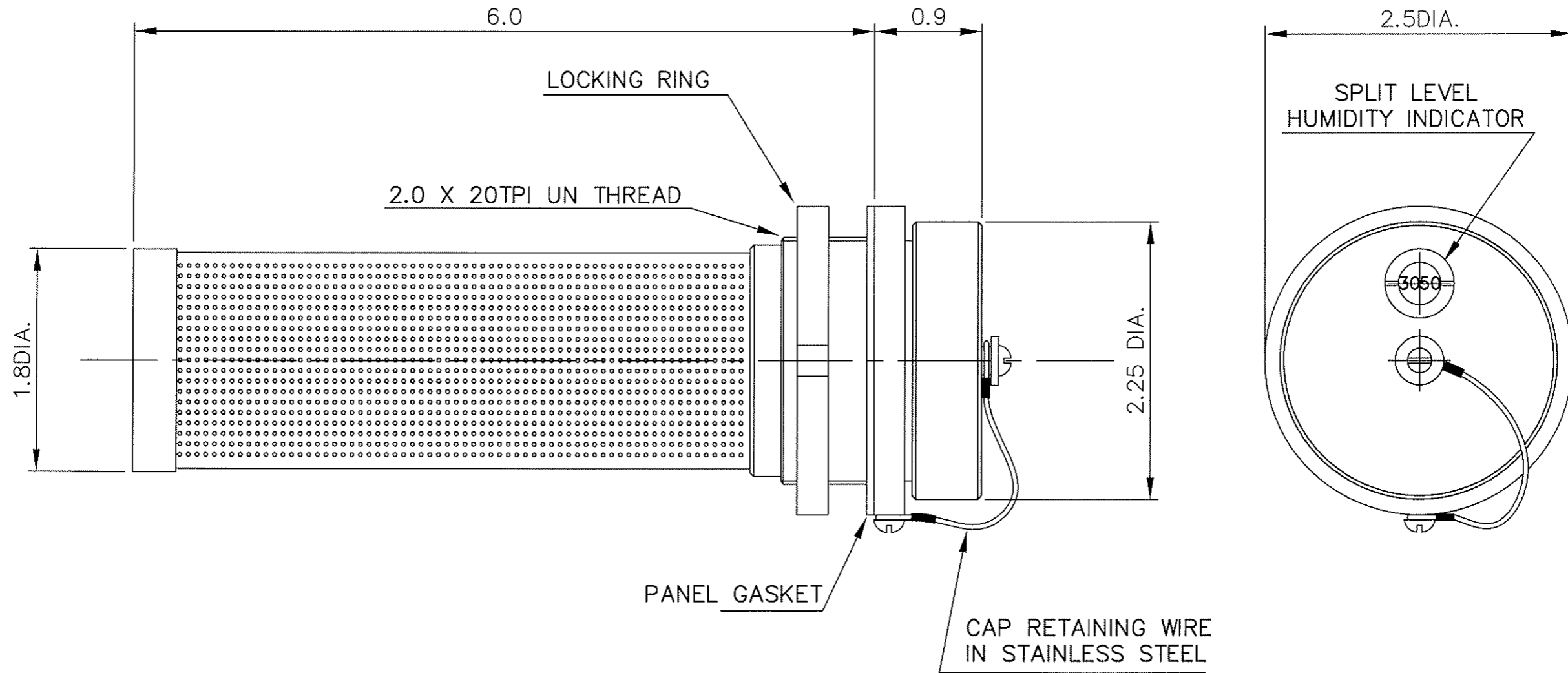
THIRD ANGLE PROJECTION

REMOVE ALL SHARP EDGES UNLESS SPECIFIED

DO NOT SCALE - ASK



THIS DRAWING IS THE PROPERTY OF BROWNELL LTD. AND MAY NOT BE COPIED OR REPRODUCED WITHOUT THEIR PRIOR WRITTEN PERMISSION



HUMIDITY INDICATOR INCORPORATED IN CAP	6027	2	07-04-03
ORIGINAL		1	06-10-00
CHANGE	MOD No	ISSUE	DATE

MATERIAL ALUMINIUM ALLOY	PROTECTIVE FINISH ANODISED BLACK	TOLERANCES	CUSTOMER		CUSTOMER'S REF	DRAWN	CHECKED
		DIMENSIONS IN in/mm IN	BROWNELL Ltd. LONDON NW10			PK	
EST. WT.		SURFACE ROUGHNESS	TITLE		DRAWING NUMBER		
		SCALE (ORIGINAL)	100G DESICCANT PORT (2" X 20UN MOUNTING THREAD)		BL/D8668/01 INST		
		1 : 1					