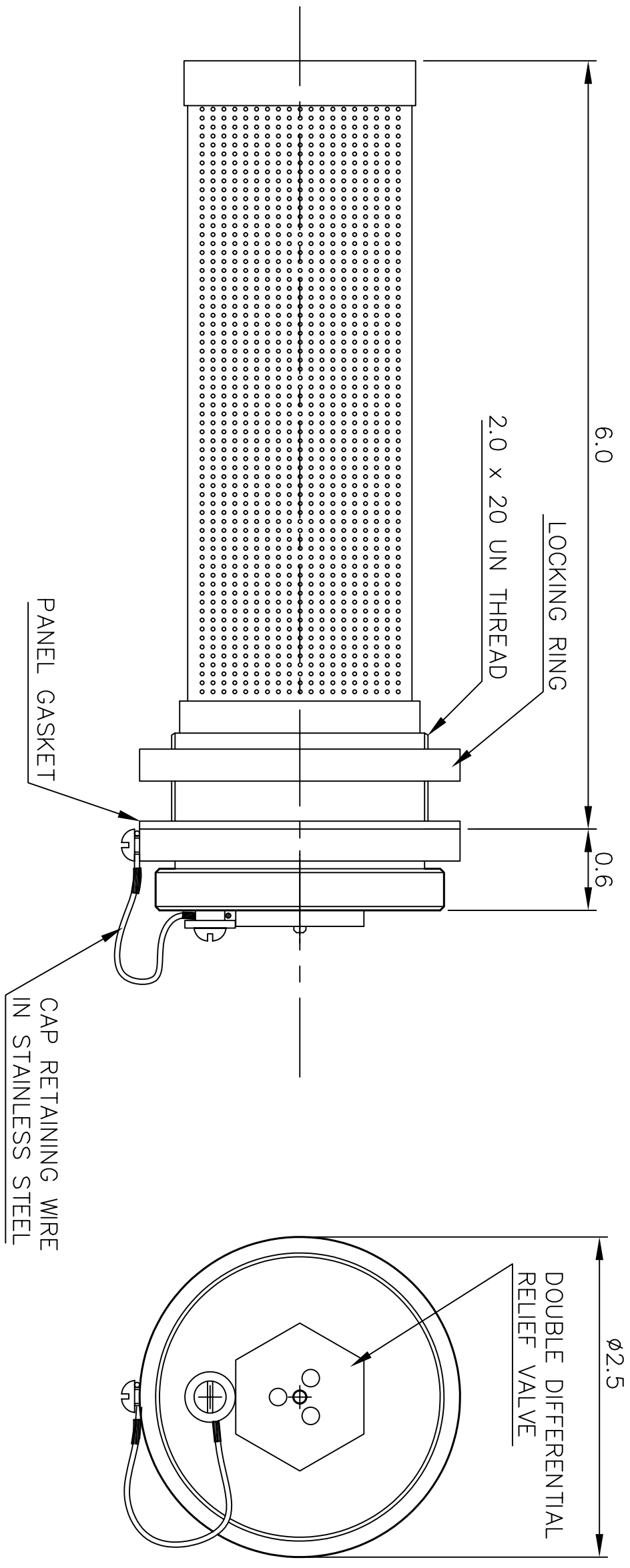


THIS DRAWING IS THE PROPERTY OF BROWNELL LTD, AND MAY NOT BE COPIED OR REPRODUCED WITHOUT THEIR PRIOR WRITTEN PERMISSION

DRG No
BL/D86668/02 INST
USED ON _____

THIRD ANGLE PROJECTION
REMOVE ALL SHARP EDGES UNLESS SPECIFIED
DO NOT SCALE - ASK



○ RED DOT = ORIGINAL
● BLACK DOT = COPY

MATERIAL
ALUMINIUM
ALLOY

PROTECTIVE FINISH
ANODISE &
DYE BLACK

TOLERANCES

DIMENSIONS IN in/mm IN
SURFACE ROUGHNESS
SCALE (ORIGINAL) 1:1 & 2:1

CUSTOMER

BROWNELL Ltd. LONDON NW10

TITLE
100G DESICCANT PORT WITH
2" UN MTG. THREAD & RELIEF VALVE

CUSTOMER'S REF

DRAWN
PK

CHECKED

DRAWING NUMBER

BL/D86668/02 INST

CHANGE	MOD No	ISSUE	DATE
1		1	28-04-04

EST. WT. _____