

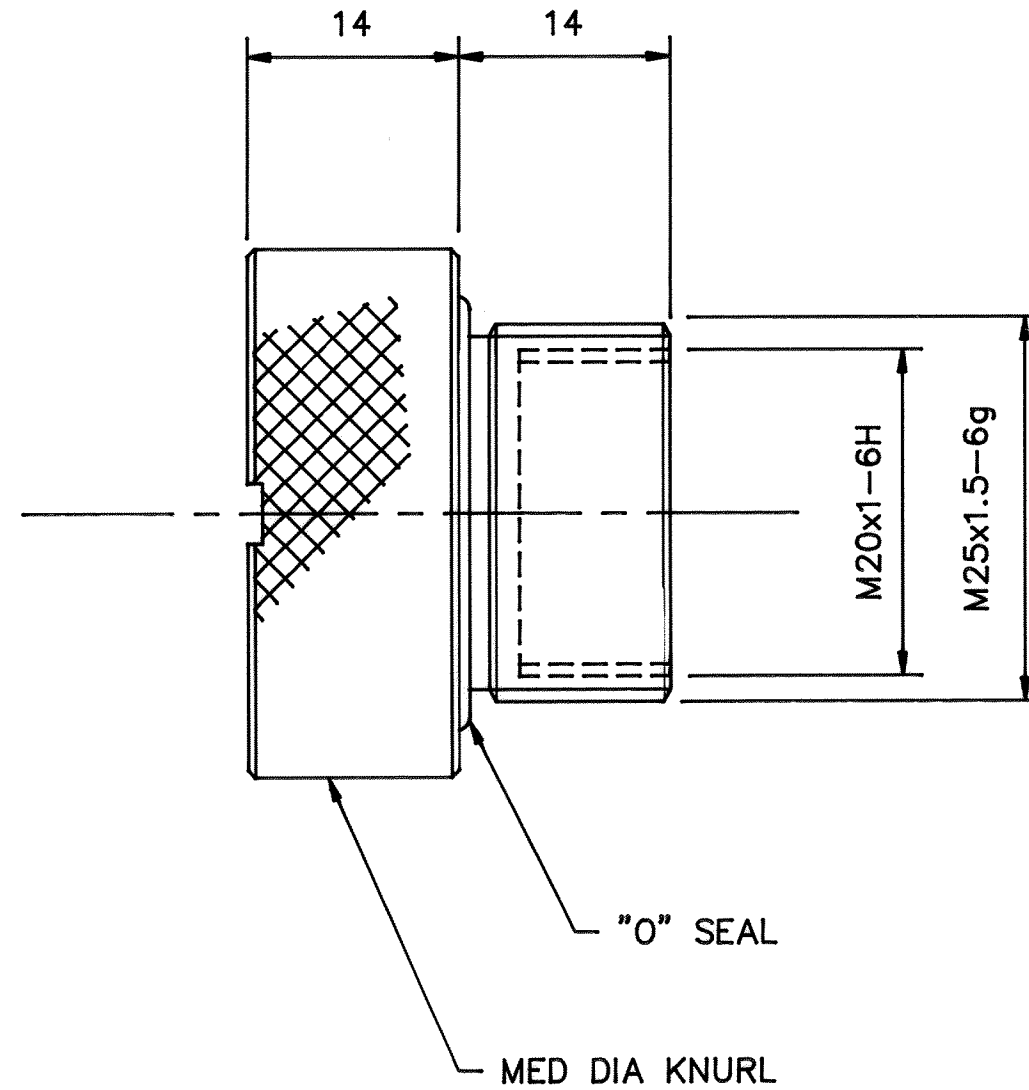
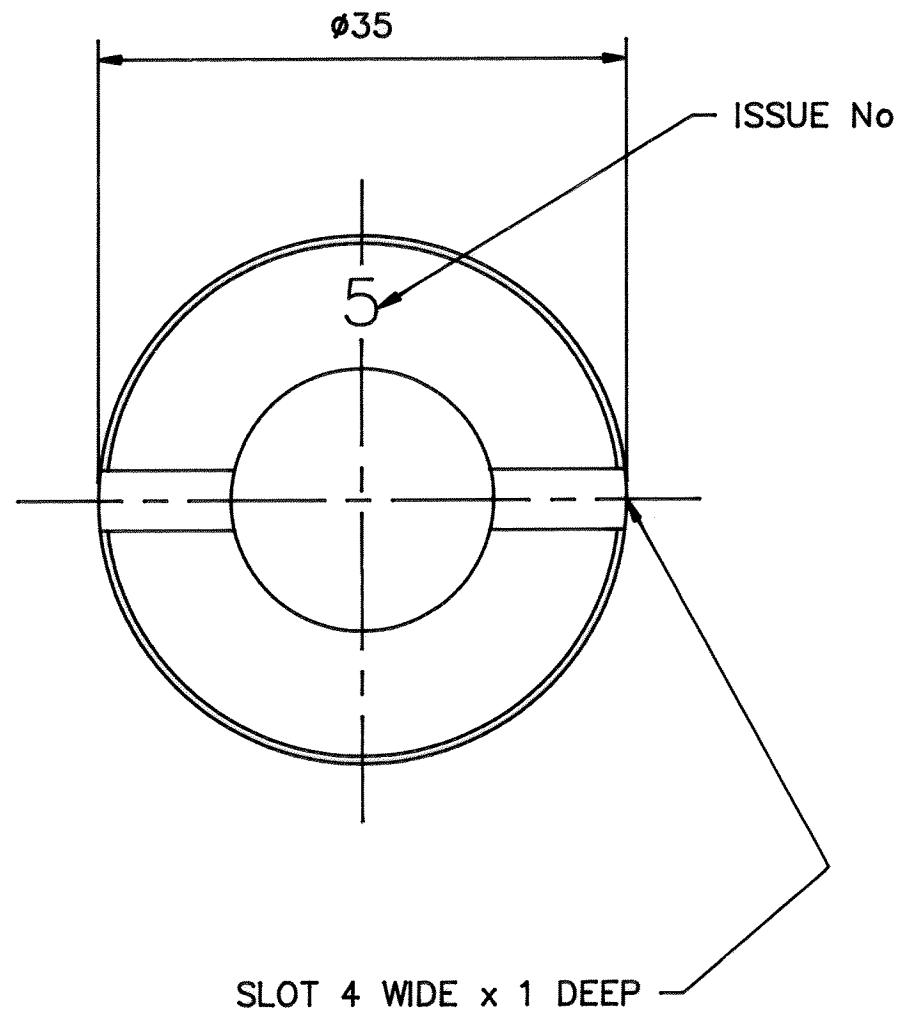
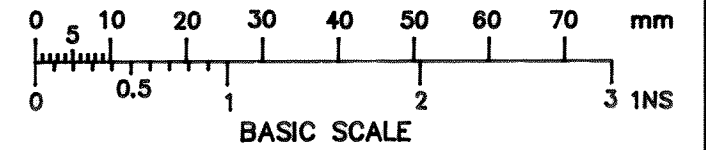
DRG No  
BL/D8405 INST

USED ON

THIRD ANGLE PROJECTION

REMOVE ALL SHARP EDGES UNLESS SPECIFIED

DO NOT SCALE - ASK



SLOT 4 WIDE x 1 DEEP

NOTES

1. OPENING PRESSURE 1.5 PSI INWARD AND OUTWARD
2. INTERNAL THREAD M20x1 TO SUIT BL/D2896/1 DESICCATOR

	5921	5	12/3/03
	5606	4	17/2/00
	5587	3	19/1/00
	5518	2	14/9/99
		1	23/8/99
CHANGE	MOD No	ISSUE	DATE

MATERIAL STAINLESS STEEL	PROTECTIVE FINISH MASK THREAD PAINT YELLOW TO MIL C 85285, TYPE 1 COLOUR CODE No 33538 PER FED-STD-595	TOLERANCES ±0.5	CONTRACTOR BROWNELL Ltd. LONDON NW10		CUSTOMER'S REF	DRAWN PGD	CHECKED
		DIMENSIONS IN in/mm mm	TITLE DOUBLE DIFFERENTIAL RELIEF VALVE		DRAWING NUMBER BL/D8405 INST		
EST. WT.		SURFACE ROUGHNESS					
		SCALE (ORIGINAL)	2:1				