

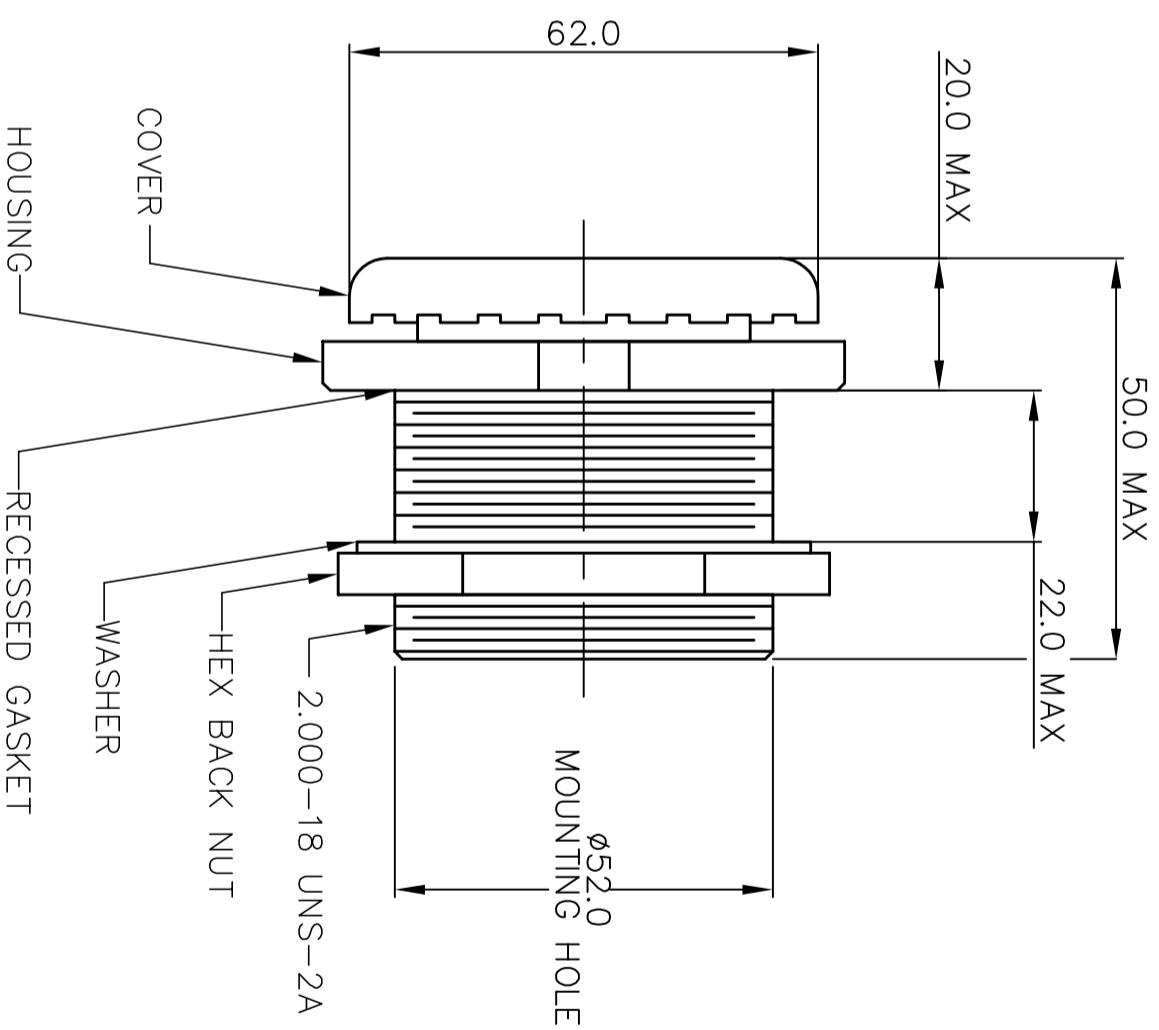
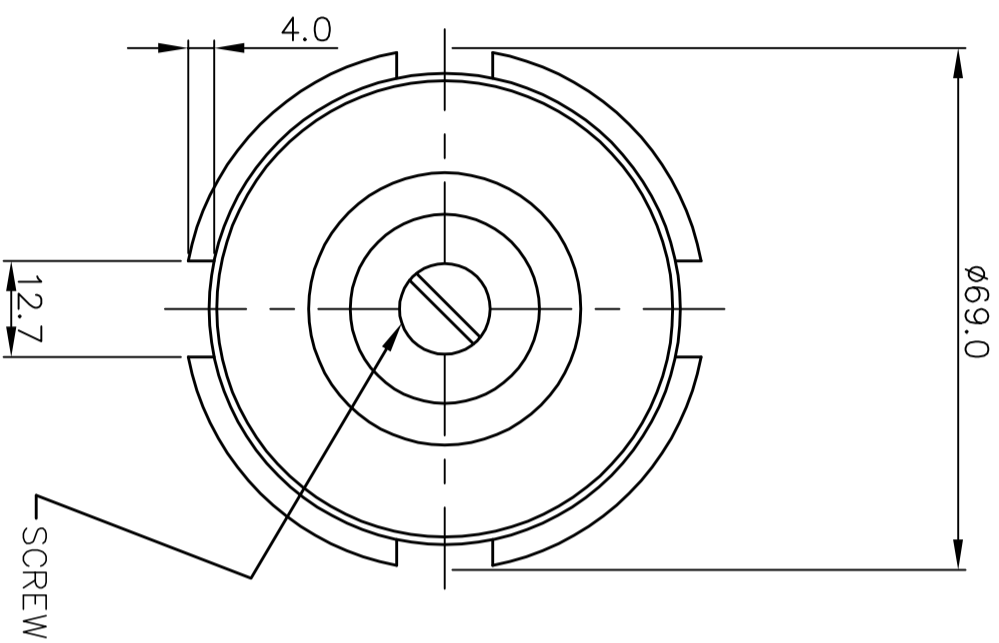
THIS DRAWING IS THE PROPERTY OF BROWNELL LTD, AND MAY NOT BE COPIED OR REPRODUCED WITHOUT THEIR PRIOR WRITTEN PERMISSION

DRG No
BL/D 8229 INST
USED ON

REMOVE ALL SHARP EDGES UNLESS SPECIFIED

THIRD ANGLE PROJECTION

DO NOT SCALE - ASK



NOTES:
 TYPICAL FILTRATION RETENTION: 25 MICRONS.
 FILTER MATERIAL: SINTERED POLYETHYLENE.
 TYPICAL FLOW RATES:
 55 L/MIN AT 0.1 PSI.
 150 L/MIN AT 0.2 PSI.
 220 L/MIN AT 0.3 PSI.

MATERIAL ALUMINUM ALLOY	PROTECTIVE FINISH CHROMIC ANODISED	TOLERANCES UNLESS OTHERWISE STATED	ANGULAR DIMS ± 1°	LINEAR DIMS ±1.0	DIMENSIONS IN IN./MM SCALE (ORIGINAL)	mm	1:1	TITLE B1-DIRECTIONAL VENT BREATHER	DRAWING NUMBER BL/D 8229 INST
-------------------------------	--	---	-------------------------	------------------------	--	----	-----	---------------------------------------	----------------------------------

BROWNELL Ltd. LONDON NW10 7XF

CHANGE	MOD No	ISSUE	DATE
ADD SCREW	6427	4	14/03/11
REDRAWN		C	16/08/10
FLOW RATES ADDED	5715	B	31/10/00
		A	13/05/99

RED DOT=ORIGINAL
BLACK DOT=COPY

DRAWN JP
CHECKED