

# THIRD ANGLE PROJECTION

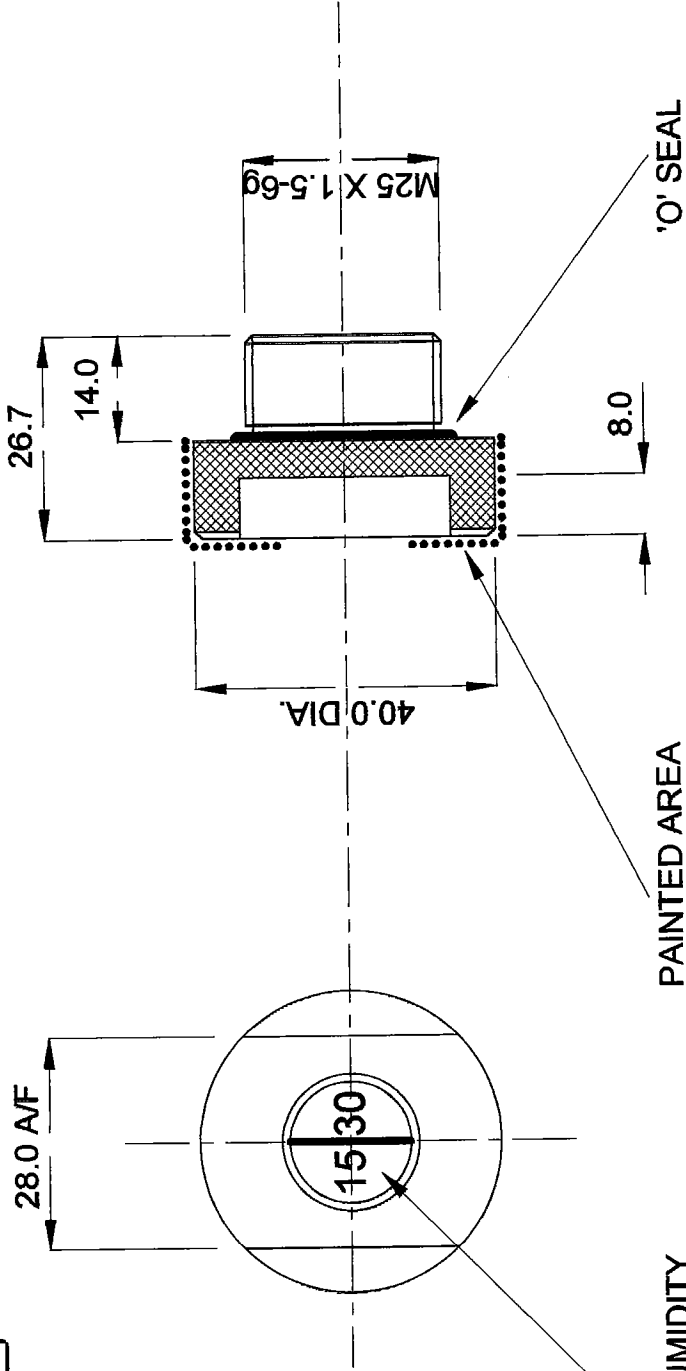
THIS DESIGN IS THE PROPERTY OF BROWNELL LTD AND MAY NOT BE REPRODUCED WITHOUT THEIR PRIOR WRITTEN PERMISSION

DO NOT SCALE - ASK

DRG.No.

BL/D8169 INST

USED ON BL/



SPLIT LEVEL HUMIDITY INDICATOR 15% & 30%RH

SURFACES, INCLUDING C/BORE SIDES IN AREA OF INDICATOR, MARKED THUS..... TO BE PAINTED MATT BLACK CATALYSED EPOXIDE RESIN COMPLYING WITH DTD5555A IN ACCORDANCE WITH 354/405 SCHEME 1A

MATERIAL	PROTECTIVE TREATMENT	TOLERANCES	BROWNELL LTD.LONDON.NW10
	316 STAINLESS STEEL	NONE	
		EST.WT.	R.F.SCREENED INDICATOR
		DIMNS. IN MM.	HUMIDITY PLUG
		SCALE	

ORIGINAL	1	18-12-98
CHANGE	MOD.No.	ISSUE
DRAWN	HMH	CHECKED
DRAWING No.		GGH
BL/D8169 INST		