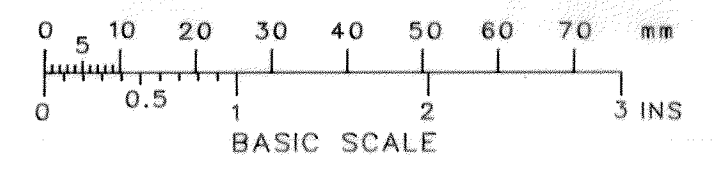


DRG No  
BL/D 8014 INST  
USED ON

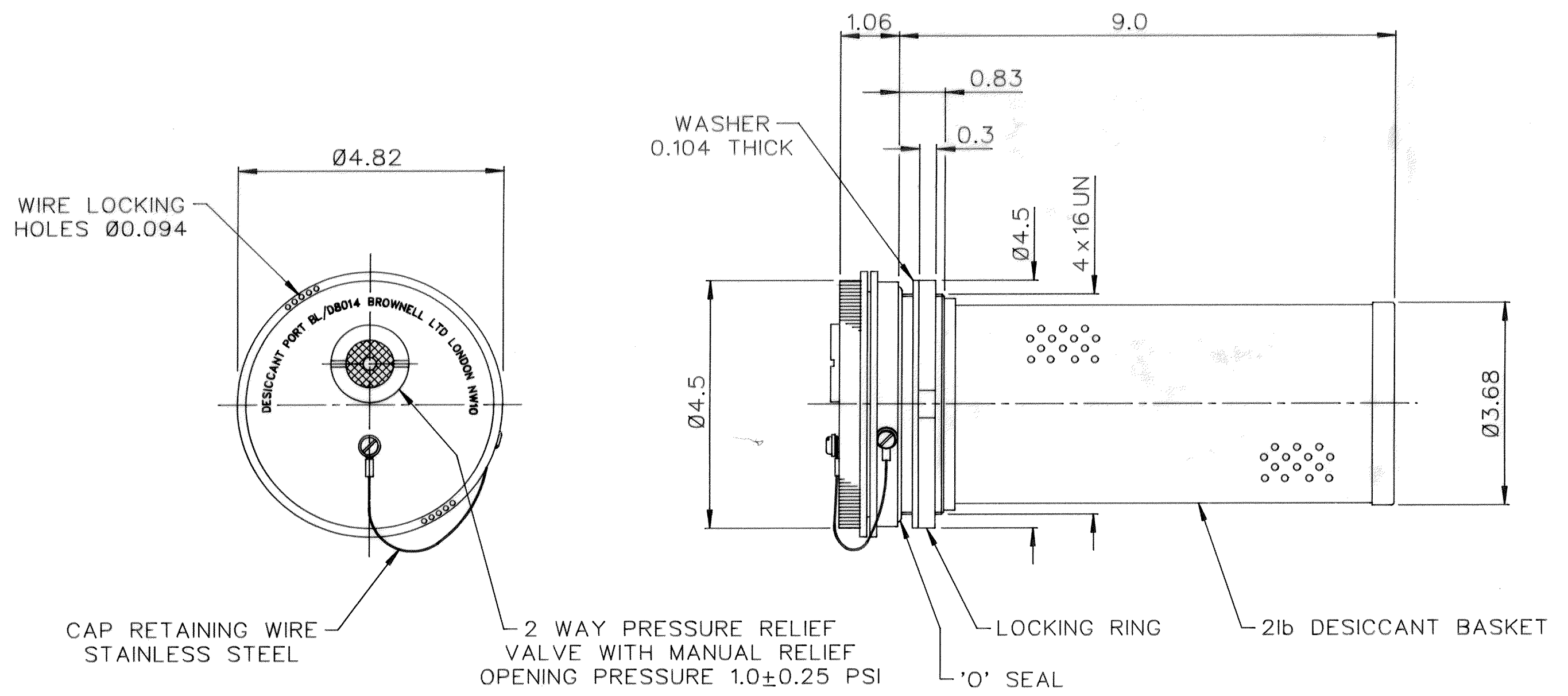
THIRD ANGLE PROJECTION

REMOVE ALL SHARP EDGES UNLESS SPECIFIED

DO NOT SCALE - ASK



THIS DESIGN IS THE PROPERTY OF BROWNELL LTD AND MAY NOT BE COPIED OR REPRODUCED WITHOUT THEIR PRIOR WRITTEN PERMISSION



RETAINING WIRE & CAP SEAL CHANGED - REDRAWN	5634	2	10/4/00
		1	21/8/98
CHANGE	MOD No	ISSUE	DATE

MATERIAL ALUM ALLOY & MILD STEEL	PROTECTIVE TREATMENT ALUM ALLOY ANODISED MILD STEEL ZINC & PAS	TOLERANCES UNLESS STATED ±0.04	BROWNELL LIMITED LONDON NW10	CUSTOMER REF.	DRAWN LJ	CHECKED
EST. WT. —		DIMNS IN INS/	TITLE DESICCANT PORT WITH 2 WAY PRESSURE RELIEF VALVE & 21b DESICCANT BASKET	DRAWING No BL/D 8014 INST		
		SCALE (ORIGINAL) 1 : 2				