

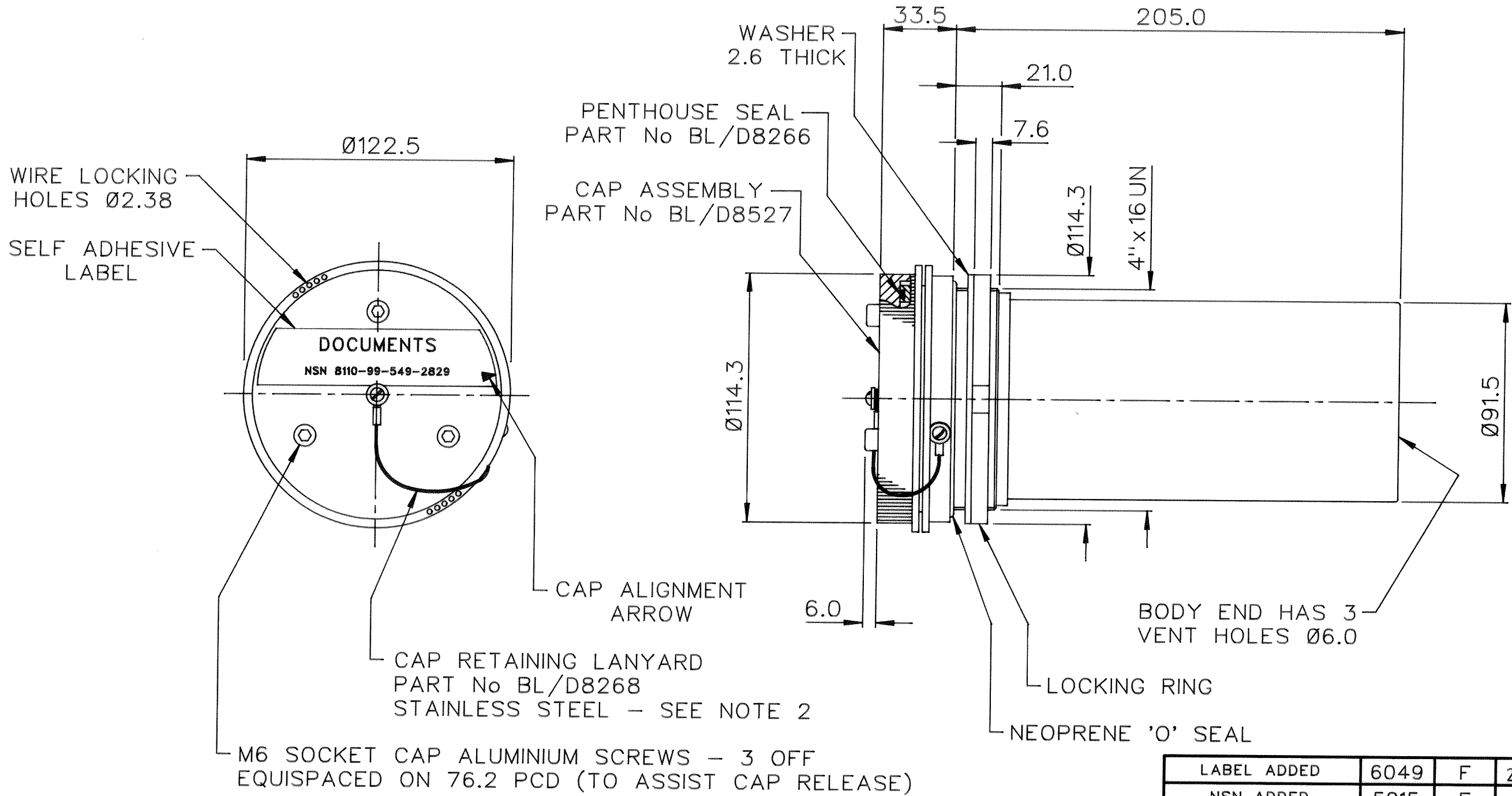
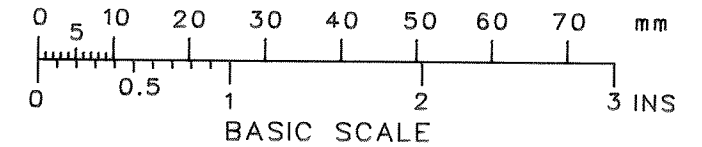
THIS DESIGN IS THE PROPERTY OF BROWNELL LTD
AND MAY NOT BE COPIED OR REPRODUCED
WITHOUT THEIR PRIOR WRITTEN PERMISSION

DRG No
BL/D 7943 INST
USED ON

THIRD ANGLE PROJECTION

REMOVE ALL SHARP EDGES UNLESS SPECIFIED

DO NOT SCALE - ASK



NOTES

- DOCUMENT HOLDER IS LEAK TESTED AT 1 PSI.
- WIRE ENDS OF CAP RETAINING LANYARD MUST NOT PROTRUDE BEYOND THE ENDS OF THE FERRULES.

LABEL ADDED	6049	F	26/6/03
NSN ADDED	5915	E	6/3/02
LANYARD NOTE - SCREW MATL & MARKING DETAIL ADDED	5556	D	24/11/99
33.5 WAS 27.0 - M6 SCREWS & IDENT MARKING ADDED	5458	C	10/5/99
WIRE MOUNTING CHANGED CAP RIM SLOTS DELETED	5353	B	25/11/98
		A	26/8/98
CHANGE	MOD No	ISSUE	DATE

MATERIAL ALUMINIUM ALLOY	PROTECTIVE TREATMENT ANODISED BLACK	TOLERANCES UNLESS STATED ± 1.0	BROWNELL LIMITED LONDON NW10	CUSTOMER REF.	DRAWN LJ	CHECKED K
EST. WT. —		DIMNS IN INS /mm (THR'D INS)	TITLE 8110-99-549-2829 DOCUMENT HOLDER	DRAWING No BL/D 7943 INST		
		SCALE (ORIGINAL) 1 : 2				