

THIS DRAWING IS THE PROPERTY OF BROWNELL LTD. AND MAY NOT BE COPIED OR REPRODUCED WITHOUT THEIR PRIOR WRITTEN PERMISSION

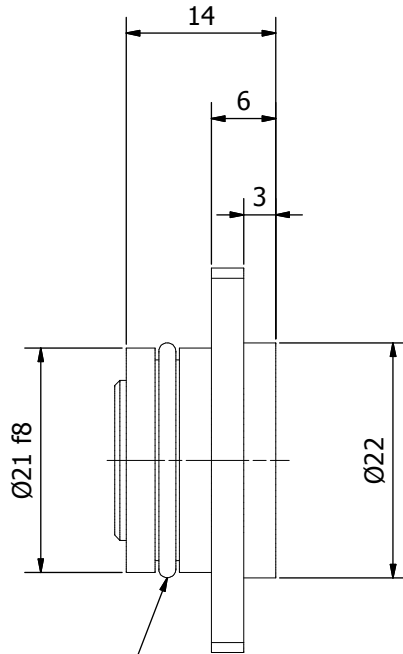
DRG No
BL/D7460 INST

REMOVE ALL SHARP EDGES UNLESS SPECIFIED

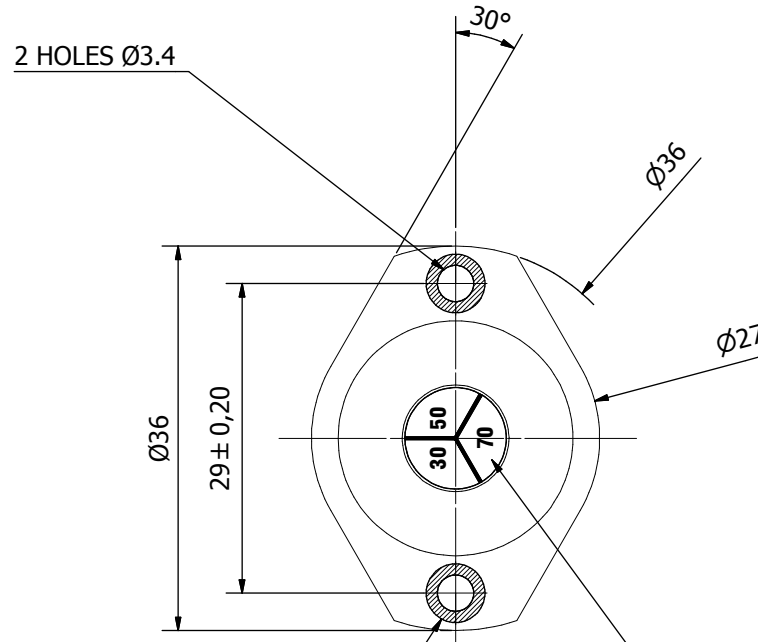
THIRD ANGLE PROJECTION

DO NOT SCALE - ASK

USED ON -----



EPDM 'O' SEAL (0181-16)



SHADED AREA 5.5 DIA CHROMATE FINISH

3 LEVEL HUMIDITY INDICATOR
30, 50 & 70% RH AT 25 °C

REDRAWN	6545	3	30/09/13
INDICATOR POSITION CHANGED	5148	2	12/11/97
		1	13/05/97
CHANGE	MOD No	ISSUE	DATE

MATERIAL	PROTECTIVE FINISH	TOLERANCES UNLESS STATED	± 0.3	BROWNELL Ltd. LONDON NW10 7XF		<input type="radio"/> RED DOT=ORIGINAL <input type="radio"/> BLACK DOT=COPY	DRAWN	CHECKED
ALUMINIUM ALLOY	ANODISED & DYED BLACK (UNLESS STATED)	SURFACE ROUGHNESS	3.2 µm (N8)	TITLE			AA	
EST. WT.	-----	DIMENSIONS IN in/mm	mm	HUMIDITY INDICATOR		DRAWING NUMBER		
		SCALE (ORIGINAL)	2:1			BL/D7460 INST		