

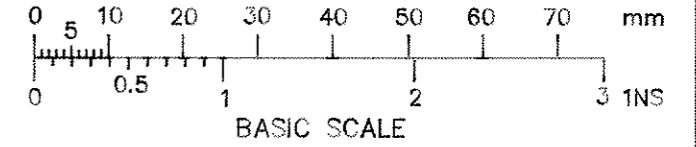
DRG No
BL/D6998 INST

USED ON

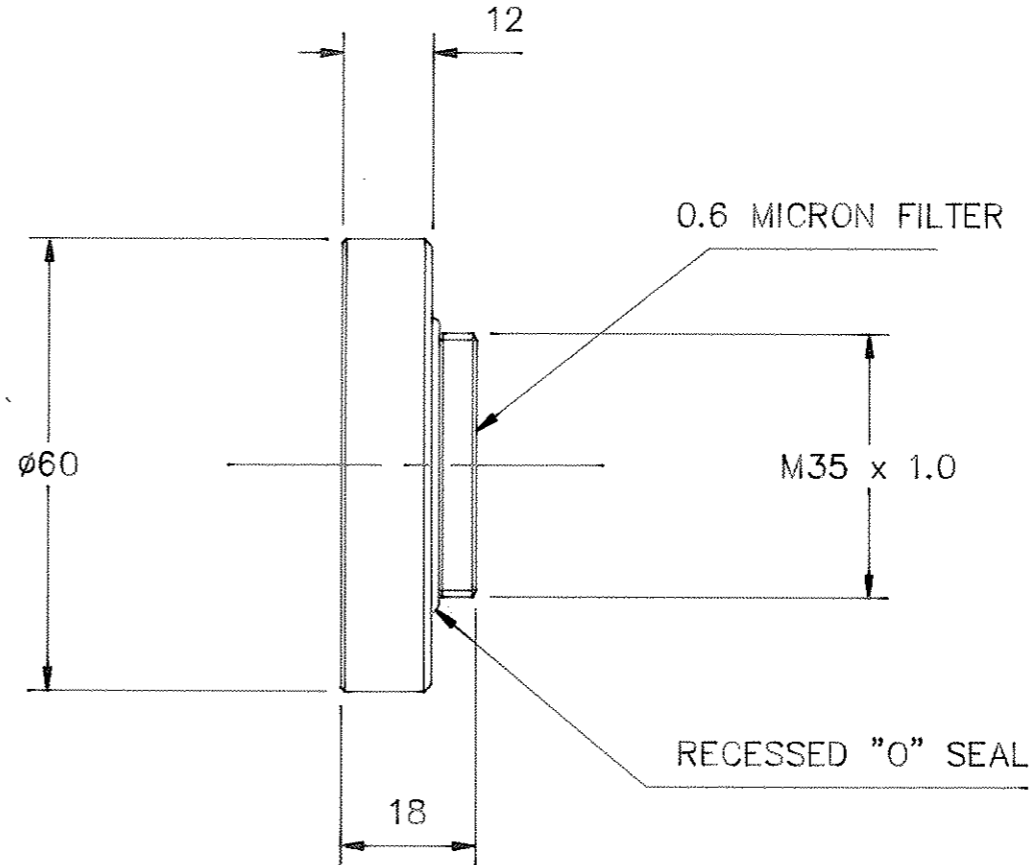
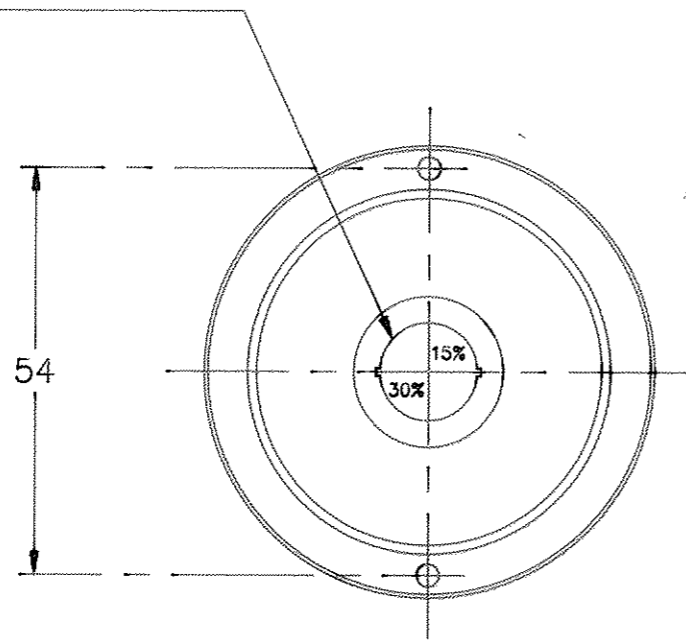
THIRD ANGLE PROJECTION

REMOVE ALL SHARP EDGES UNLESS SPECIFIED

DO NOT SCALE - ASK



HUMIDITY INDICATOR 15/30% RH



DESICCANT CONTENTS

NOMINAL CONTENTS 11 GRAMS
DESICCANT TYPE: MOLECULAR SIEVES

ENVIRONMENTAL PERFORMANCE: DEF STAN 44-2

NSN ADDED	4816	3	28/11/95
	4570	2	5/10/94
		1	13/9/94
CHANGE	MOD No	ISSUE	DATE

MATERIAL ALUMINIUM ALLOY	PROTECTIVE FINISH ANODISED DYED BLACK	TOLERANCES ±0.5	CUSTOMER BROWNELL Ltd. LONDON NW10		CUSTOMER'S REF	DRAWN	CHECKED
		DIMENSIONS IN in/mm mm	TITLE NATO STOCK No 4440-99-807-6411 DESICCANT CONTAINER DEHUMIDIFIER				
EST. WT.		SURFACE ROUGHNESS			DRAWING NUMBER BL/D6998 INST		
		SCALE (ORIGINAL)	1:1				