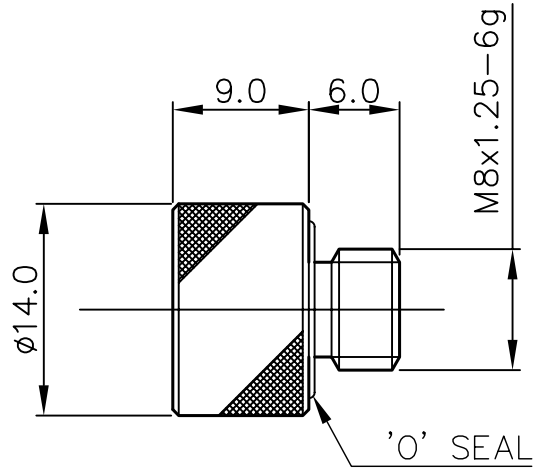
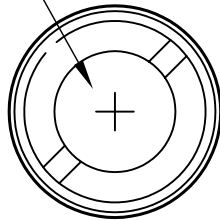


DRG No  
BL/D6693 INST  
USED ON

THIRD ANGLE PROJECTION



BREATHER INLET



NOTES :-

- 1) BREATHER WILL WITHSTAND IMMERSION IN WATER TO A DEPTH OF 1 METRE FOR 30 MINUTES WITHOUT ANY WATER INGRESS – MAXIMUM TEMPERATURE DIFFERENCE BETWEEN WATER & BREATHER : 15°C
- 2) CONFORMS TO DEF STAN 44-2 WHERE APPLICABLE.
- 3) NOMINAL FLOW RATE DATE :-  
 100cc per min @ 5 inches water guage (0.18 psi)  
 500cc per min @ 18 inches water guage (0.64 psi)  
 1000cc per min @ 23 inches water guage (0.82 psi)

THIS DESIGN IS THE PROPERTY OF BROWNELL LTD, AND MAY NOT BE COPIED OR REPRODUCED WITHOUT THEIR PRIOR WRITTEN PERMISSION

MATERIAL ALUMINIUM ALLOY	PROTECTIVE FINISH ANODISED & DYED BLACK				
		REDRAWN	6275	2	25-06-08
EST. WT. _____	SURFACE ROUGHNESS _____	CHANGE	MOD No	ISSUE	DATE
DIMS IN mm	_____	TOLERANCES	0 = ±0.5 0.0 = ±0.25 0.00 = ±0.05		
SCALE 2:1	_____				
 RED DOT = ORIGINAL  BLACK DOT = COPY	<b>BROWNELL LTD</b> LONDON NW10 7XF	DRAWN PK	CHECKED		

TITLE IMMERSIBLE  
BREATHER HEAD

DRAWING No.  
BL/D6693 INST