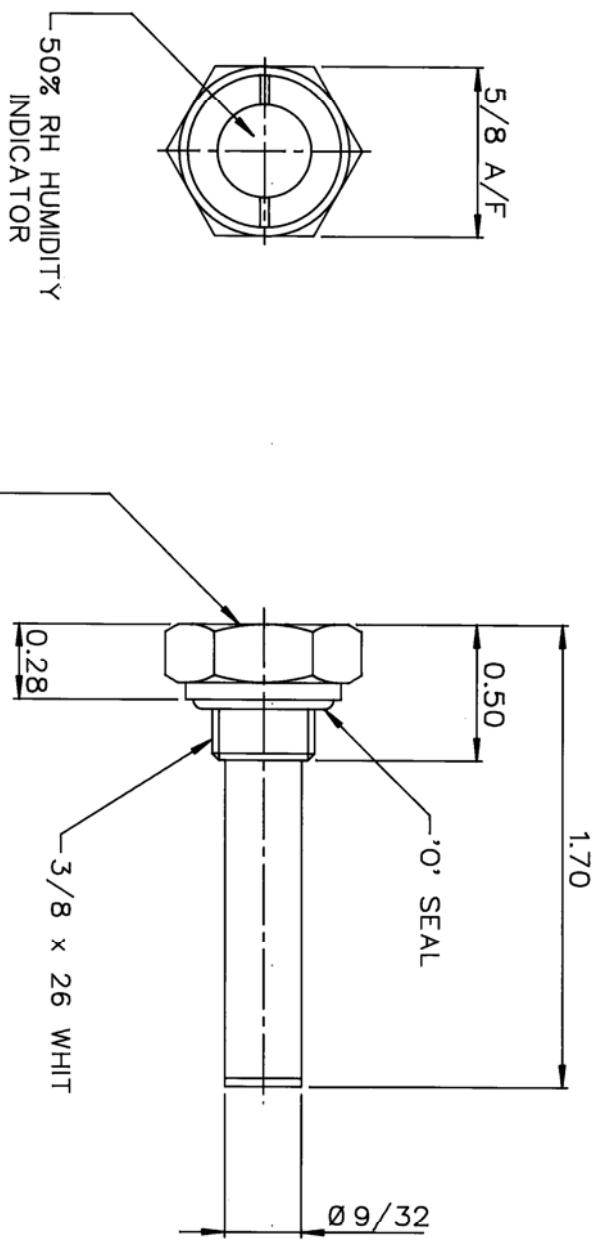
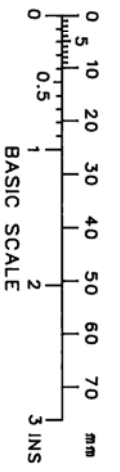


DRG No
BL/D 6372 INST
USED ON

THIRD ANGLE PROJECTION
REMOVE ALL BURRS & SHARP EDGES
DO NOT SCALE - ASK



STANDARD EKC/S3 HEAD ASSEMBLY PAINTED TO DEF 1059
COLOUR: OLIVE DRAB No 298 TO BS381C

NOTES

1. FILLED WITH NON-INDICATING BEADED SILICA GEL DESICCANT TO BS7554.
2. RECHARGE DESICCATOR WHEN HUMIDITY INDICATOR IS NO LONGER BLUE - DO NOT REACTIVATE.
3. DESICCATOR MUST NOT BE SUBJECTED TO TEMPERATURES GREATER THAN 70 °C.
4. CONFORMS TO PRODUCT SPECIFICATION No 2000.
5. PACKAGED FOR A SHELF LIFE OF 5 YEARS WHEN STORED IN TEMPERATE CONDITIONS.

MATERIAL BRASS	PROTECTIVE FINISH BRIGHT NICKEL PLATE (HEAD PAINTED SEE ABOVE)	TOLERANCES UNLESS STATED	±1/64	TITLE BROWNELL LIMITED LONDON NW10 DESICCANT CONTAINER DEHUMIDIFIER (PANEL MOUNTING)	DRAWING No BL/D 6372 INST
		DIMNS IN INS/ MM SCALE (ORIGINAL) 2 : 1			
EST. WT. —					

CUSTOMER REF. OP9512/S	DRAWN LJ	CHECKED K
CHANGE	MOD No	ISSUE DATE
REDRAWN - INDICATOR ADDED	5798	B 16/5/01
		A 26/4/93