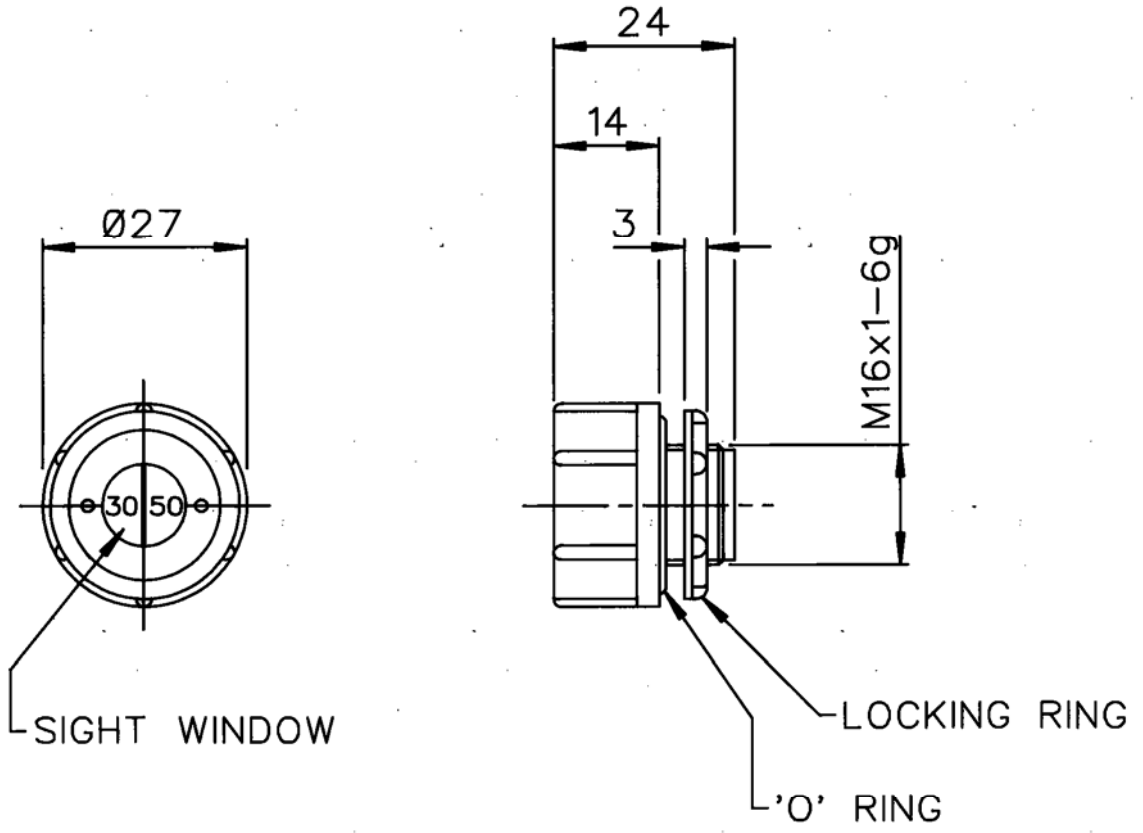


DRG. No.
BL/D 6344/02 INST

USED ON

THIRD ANGLE
PROJECTION



THIS DESIGN IS THE PROPERTY OF BROWNELL LTD. AND MAY NOT BE COPIED OR REPRODUCED WITHOUT THEIR PRIOR WRITTEN PERMISSION.

MATERIAL	PROTECTIVE FINISH				
BLACK POLYCARBONATE	NATURAL				
EST. WT. —		REDRAWN	5164	2	10/12/97
DIMNS. IN mm	SURFACE ROUGH			1	5/7/93
SCALE 1 : 1	—	TOLERANCES	±0.5		
BROWNELL LIMITED LONDON N.W.10			DRAWN LJ	CHKD.	
SUB.CONT. —		SUB.CONT. DRG. REF. —			
TITLE HUMIDITY INDICATOR 30-50% RH		DRAWING No. BL/D 6344/02 INST			