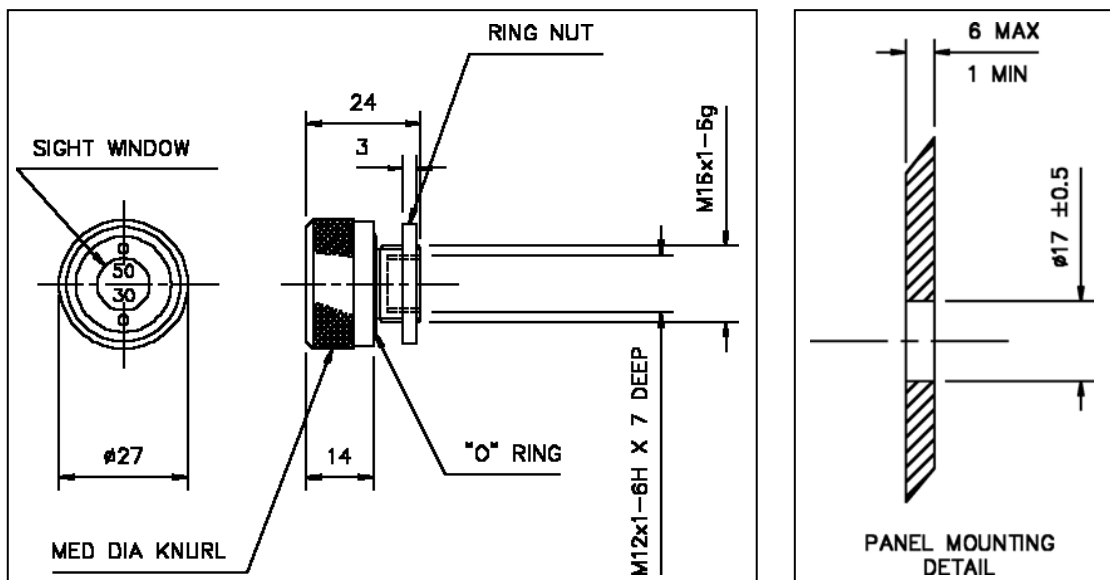


HUMIDITY INDICATOR



DESCRIPTION

A humidity indicator plug to monitor the relative humidity within an equipment or instrument.

APPLICATIONS

Ideally suited for monitoring the relative humidity within an equipment which is protected with a silica gel desiccant.

PART NUMBER	BL/D6344/02
MATERIAL	Plastic (Polycarbonate).
COLOUR	Black
HUMIDITY INDICATING LEVEL	30% RH @ 20°C. 50% RH @ 20°C.
OPERATING TEMPERATURE	Maximum 70°C Minimum -40°C
ENVIRONMENTAL PROTECTION	Resistant to Alcohols, Ethers, Hydrocarbons, weak acids and bases.
MAXIMUM PRESSURE	1 bar gauge
MAXIMUM VACUUM	500 Torr (-5 PSI)
TIGHTENING TOURQUE	2Nm

PACKAGING
for

Metal foil laminate with sachet protection
a minimum 2 year shelf life.

Designed and manufactured by: -

BROWNELL LTD
UNIT 2
ABBEY ROAD INDUSTRIAL ROAD
COMMERCIAL WAY
LONDON NW10 7XF
Tel 020 8965 9281
Fax 020 8965 3239
E-mail info@brownell.co.uk
Web site <http://www.brownell.co.uk>

Issue 3 21/10/98

