

THIS DRAWING IS THE PROPERTY OF BROWNELL LTD. AND MAY NOT BE COPIED OR REPRODUCED WITHOUT THEIR PRIOR WRITTEN PERMISSION

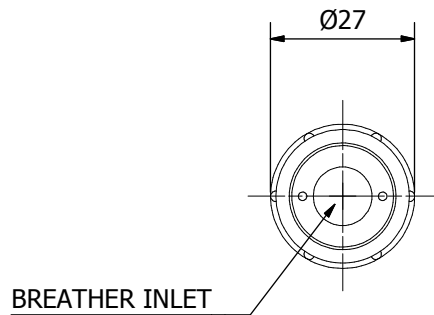
DRG No
BL/D6343 INST

REMOVE ALL SHARP EDGES UNLESS SPECIFIED

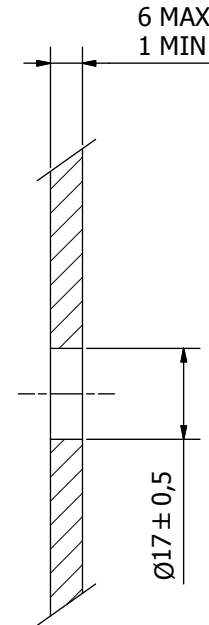
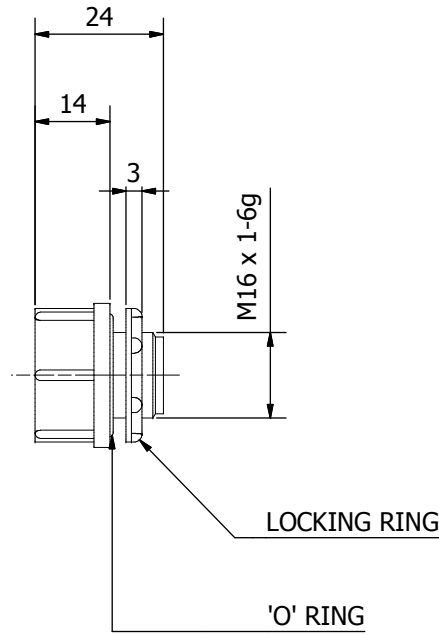
THIRD ANGLE PROJECTION

DO NOT SCALE - ASK

USED ON -----



NSN: 2520-99-199-3147



PANEL MOUNTING DETAIL

NOTE ADDED	6545	3	17/09/13
REDRAWN	5164	2	10/12/97
ORIGINAL		1	12/12/93
CHANGE	MOD No	ISSUE	DATE

MATERIAL BLACK POLYCARBONATE	PROTECTIVE FINISH NATURAL	TOLERANCES UNLESS OTHERWISE STATED	±0.5	TITLE BROWNELL Ltd. LONDON NW10 7XF	<input checked="" type="radio"/> RED DOT=ORIGINAL <input type="radio"/> BLACK DOT=COPY	DRAWN AA	CHECKED
		SURFACE ROUGHNESS	3.2µm (N8)			DRAWING NUMBER BL/D6343 INST	
EST. WT.	-----	DIMENSIONS IN in/mm	mm	IMMERSION PROOF BREATHER			
		SCALE (ORIGINAL)	1:1				