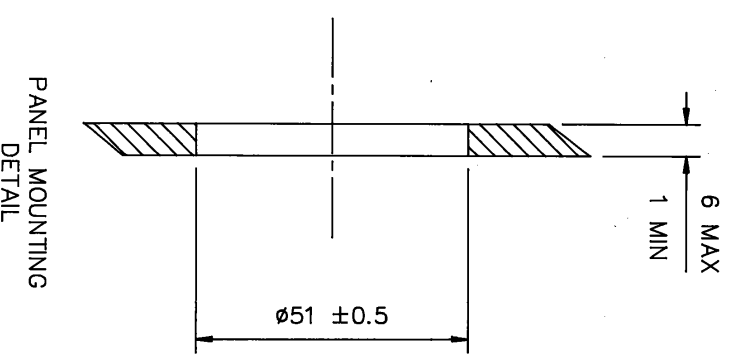
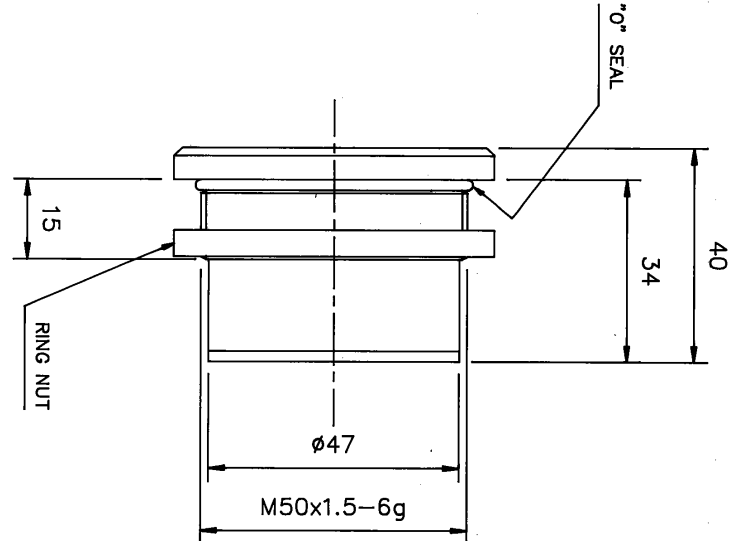
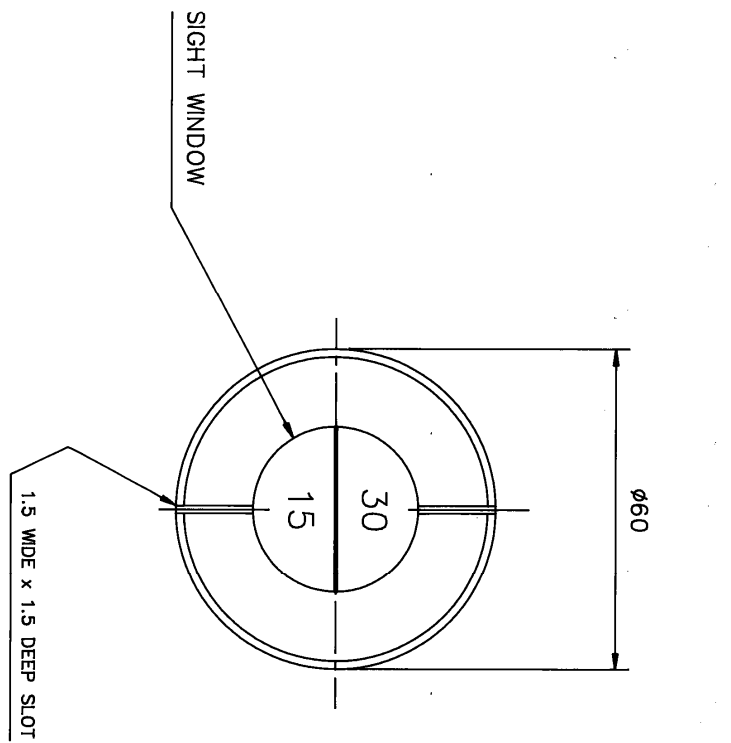


DRG No  
BL/D6342/04 INST

USED ON

THIRD ANGLE PROJECTION  
REMOVE ALL SHARP EDGES UNLESS SPECIFIED  
DO NOT SCALE - ASK



DESICCANT CONTENT 30g MOLECULAR SIEVES

NOTE: ENSURE THAT THE RING NUT IS LOOSELY FITTED AND NOT TIGHTENED AGAINST THE 'O' RING BEFORE PACKAGING.

MATERIAL	BLACK POLYCARBONATE
PROTECTIVE FINISH	NATURAL
EST. WT.	

TOLERANCES	±0.5
DIMENSIONS IN in/mm	mm
SURFACE ROUGHNESS	
SCALE (ORIGINAL)	1:1

CUSTOMER	BROWNELL Ltd. LONDON NW10
TITLE	PANEL MOUNTED DESICCATOR

DRAWING NUMBER	BL/D6342/04 INST
----------------	------------------

CHANGE	MOD No	ISSUE	DATE
NOTE ADDED	5574	3	18/12/99
SLOT CHANGED	5409	2	25/2/99
		1	11/12/93

CUSTOMER'S REF	
DRAWN	PZ
CHECKED	