

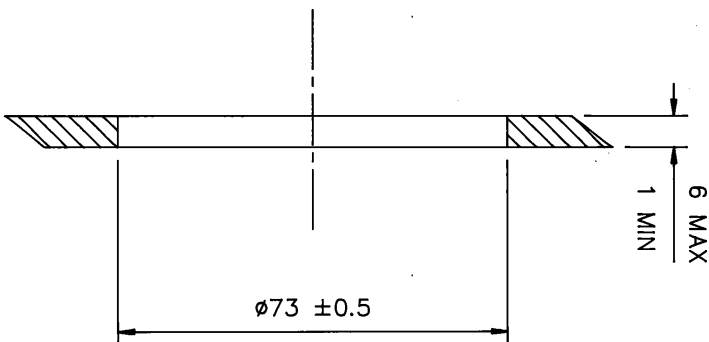
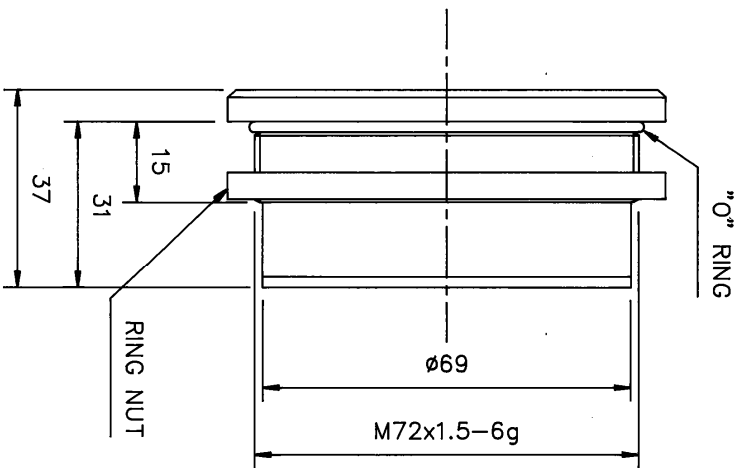
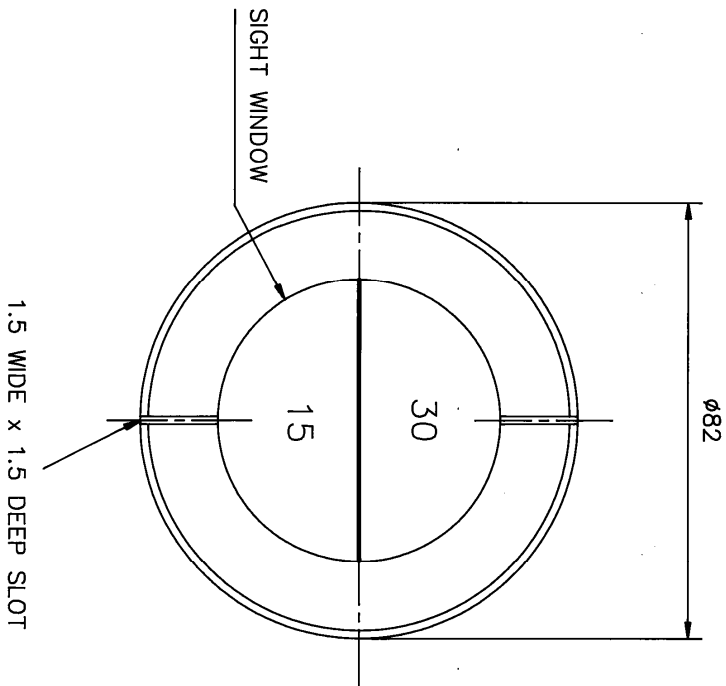
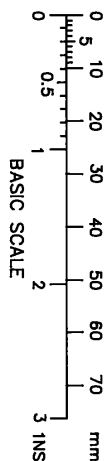
DRG No
BL/D6342/02 INST

USED ON

REMOVE ALL SHARP EDGES UNLESS SPECIFIED

DO NOT SCALE - ASK

THIRD ANGLE PROJECTION



PANEL MOUNTING
DETAIL

DESICCANT CONTENT 50g MOLECULAR SIEVES

NOTE: ENSURE THAT THE RING NUT IS LOOSELY FITTED AND NOT TIGHTENED AGAINST THE 'O' RING BEFORE PACKAGING.

MATERIAL

BLACK POLYCARBONATE

PROTECTIVE FINISH

NATURAL

TOLERANCES

± 0.5

CUSTOMER

BROWNELL Ltd. LONDON NW10

TITLE

PANEL MOUNTED DESICCATOR

DIMENSIONS IN in/mm

mm

SURFACE ROUGHNESS

SCALE (ORIGINAL)

1:1

EST. WT.

CUSTOMER'S REF

DRAWN

CHECKED

DRAWING NUMBER

BL/D6342/02 INST

CHANGE	MOD No	ISSUE	DATE
NOTE ADDED	5574	3	16/12/99
SLOT CHANGED	5409	2	25/2/99
		1	11/12/93