

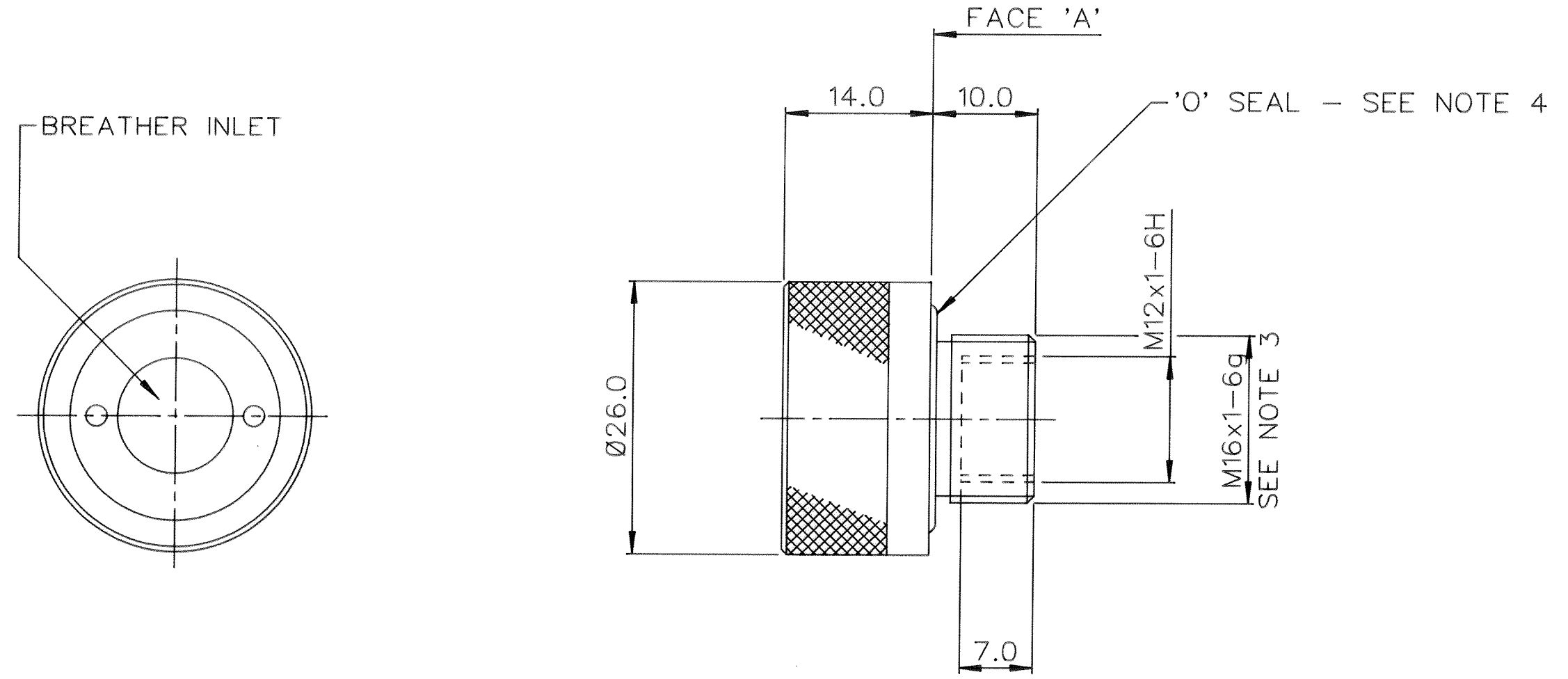
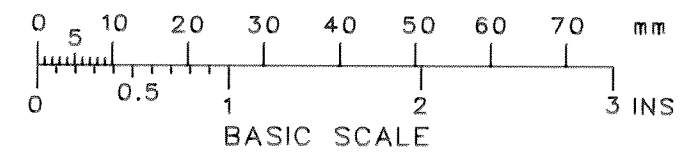
THIS DESIGN IS THE PROPERTY OF BROWNELL LTD AND MAY NOT BE COPIED OR REPRODUCED WITHOUT THEIR PRIOR WRITTEN PERMISSION

DRG No
BL/D 5248/01-02 INST
USED ON

THIRD ANGLE PROJECTION

REMOVE ALL BURRS & SHARP EDGES

DO NOT SCALE - ASK



NOTES

1. CONFORMS TO DEF STAN 44-2 & 66-14 WHERE APPLICABLE.
2. BREATHER WILL WITHSTAND IMMERSION IN WATER TO A DEPTH OF 1 METRE FOR 15 MINUTES WITHOUT ANY WATER INGRESS - MAXIMUM TEMPERATURE DIFFERENCE BETWEEN WATER & BREATHER: 15 °C.
3. THE INTERNAL 3.0 DIA HOLE, 'O' SEAL RECESS, FACE 'A' AND M16x1 MOUNTING THREAD ARE ALOCHROMED FOR R.F. SCREENING CONTINUITY. (THE INTERNAL 3.0 DIA HOLE ALLOWS THE REQUIRED LEVEL OF R.F. SCREENING TO BE ACHIEVED).
4. PART No. BL/D5248/01 IS SUPPLIED WITHOUT 'O' SEAL.
PART No. BL/D5248/02 IS SUPPLIED WITH FLUOROSILICONE 'O' SEAL, SIZE 0181-16.

DRG No	NSN
BL/D5248/01	
BL/D5248/02	7025-99-930-6055

ANODIC COLOUR CHANGED	5870	F	17/12/01
REDRAWN	4207	E	3/2/93
CHANGE	MOD No	ISSUE	DATE

MATERIAL	PROTECTIVE FINISH	TOLERANCES UNLESS STATED	±0.5	BROWNELL LIMITED LONDON NW10	CUSTOMER REF.	DRAWN	CHECKED
ALUM ALLOY	ANODISED BLACK SEE NOTE 3	DIMNS IN mm /mm		TITLE		LJ	
EST. WT. —		SCALE (ORIGINAL)	2 : 1	IMMERSIBLE BREATHER HEAD (R.F. SCREENED)	DRAWING No		
					BL/D 5248/01-02 INST		