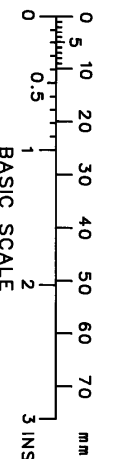


DRG No
BL/D 5000/01-05 INST

THIRD ANGLE PROJECTION

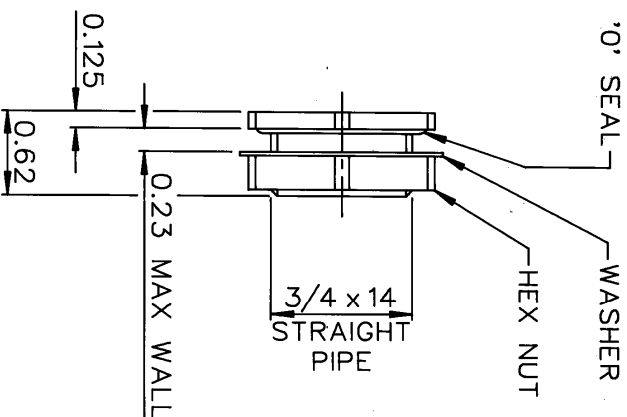
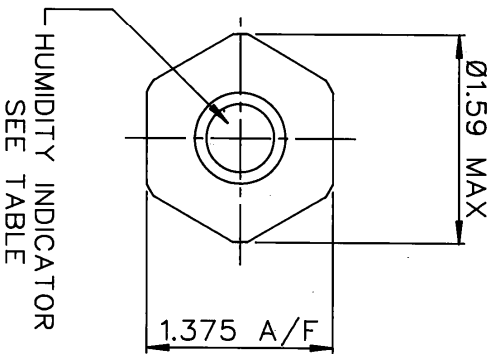
REMOVE ALL SHARP EDGES UNLESS SPECIFIED

DO NOT SCALE - ASK



NOTES

1. MOUNTING HOLE: 1.05 DIA.
2. R.F. SCREENED VERSION BL/D5000/01 - HEX NUT, WASHER & THREAD ARE NATURAL FINISH FOR R.F. SCREENING CONTINUITY. THE AREA INSIDE THE CONTAINER WHICH IS IN CONTACT WITH THE MOUNTING WASHER MUST HAVE A CONDUCTIVE FINISH TO ENSURE R.F. SCREENING CONTINUITY.
3. CONFORMS TO DEF STAN 66-14 WHERE APPLICABLE.



DRG No	NATO STOCK NUMBER	PROTECTIVE FINISH	INDICATOR LEVELS AT 25 °C
BL/D5000/01	6685-99-747-9497	ANODISED BLACK R.F. SCREENED - SEE NOTE 2	30 & 50% RH
BL/D5000/02	6685-99-862-3061	ANODISED BLACK	30 & 50% RH
BL/D5000/03		ANODISED BLACK	15 & 30% RH
BL/D5000/04		ANODISED BLACK	40 & 60% RH
BL/D5000/05		ANODISED BLACK	10, 20 & 30% RH

MATERIAL	PROTECTIVE FINISH	TOLERANCES UNLESS STATED	DIMNS IN INS/ MM	SCALE (ORIGINAL)	TITLE	CUSTOMER REF.	DRAWN	CHECKED
ALUM ALLOY	SEE TABLE	±0.030		1 : 1	BROWNELL LIMITED LONDON NW10 HUMIDITY INDICATOR PLUG		LJ	

EST. WT.	—	CHANGE	MOD No	ISSUE	DATE
		/01 - ANODIC FINISH CHANGED	5945	J	10/6/02
		/05 ADDED ANODIC FINISH CHANGED	5917	I	7/3/02
		/04 ADDED	5811	H	6/6/01
		NSN ADDED - /02	5561	G	1/12/99
		NSN ADDED - /01	4843	F	15/1/96
		/03 ADDED	4654	E	6/3/95
		REDRAWN - /02 ADDED	4648	D	14/2/95