

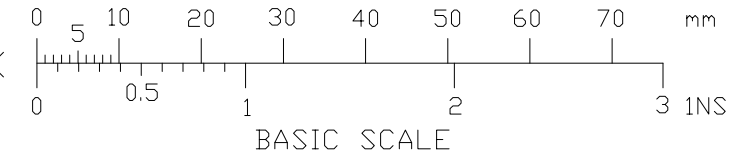
DRG No
BL/D4332 INST

USED ON

THIRD ANGLE PROJECTION

REMOVE ALL SHARP EDGES UNLESS SPECIFIED

DO NOT SCALE - ASK



NOTES:

1. SPECIFICATIONS:

1.1 THIS HUMIDITY INDICATOR PLUG MEETS THE REQUIREMENTS OF SAE AS26860, TYPE II, AS APPLICABLE.

1.2 RELATIVE HUMIDITY OF AIR IS INDICATED BY 20, 30, 40, AND 50 PERCENT SEGMENTS ON INDICATOR CARD. BLUE SEGMENT INDICATES RH IS LESS THAN NUMBER ON CARD. PINK OR WHITE SEGMENT INDICATES RH IS EQUAL TO OR GREATER THAN NUMBER SHOWN ON CARD. COLOR CHANGE IS REVERSIBLE UNDER NORMAL CONDITIONS.

2. MATERIALS AND FINISH:

2.1 HOUSING, HEX NUT, AND LOCKSCREW: ALUMINUM ALLOYS.

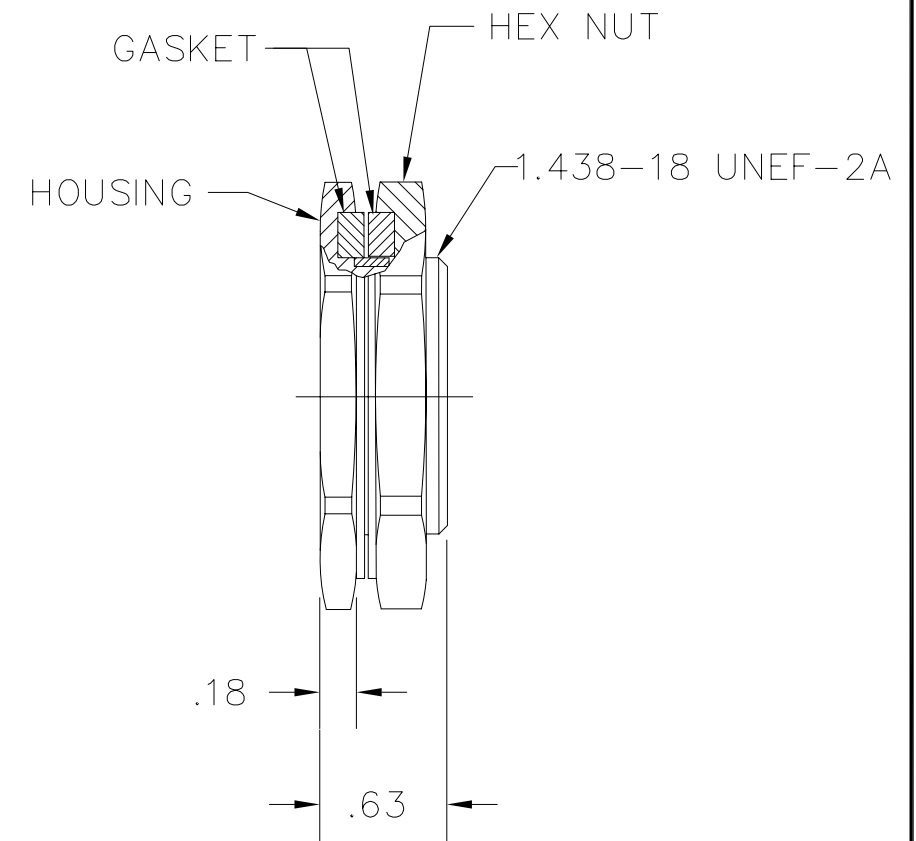
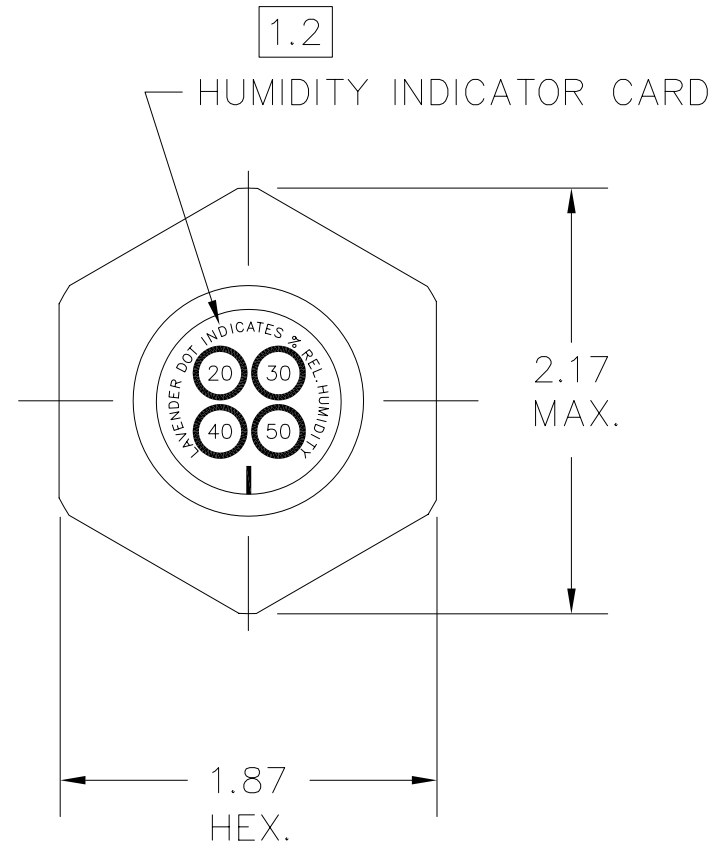
2.2 HUMIDITY INDICATOR CARD: CHEMICALLY IMPREGNATED BLOTTER PAPER IAW MIL-I-8835.

2.3 GASKETS: IAW MIL-R-6855, CLASS II, GRADE 60.

2.4 WINDOW: PLEXIGLAS IAW MIL-P-5425.

3. FINISH:

3.1 ALUMINUM ALLOYS ANODIZED IAW MIL-A-8625, TYPE II, CLASS 1.



REDRAWN	6140	C	08-02-05
CHANGE	MOD No	ISSUE	DATE

MATERIAL	PROTECTIVE FINISH	TOLERANCES	<p>BROWNELL Ltd. LONDON NW10 7XF</p> <p>TITLE</p> <p>HUMIDITY INDICATOR</p>	<p>● RED DOT=ORIGINAL</p> <p>● BLACK DOT=COPY</p>	DRAWN	CHECKED	
SEE NOTES	SEE NOTES	DIMENSIONS IN in/mm			INS	PK	
EST. WT.		SURFACE ROUGHNESS			DRAWING NUMBER		
		SCALE (ORIGINAL)		1:1	BL/D4332 INST		

THIS DRAWING IS THE PROPERTY OF BROWNELL LTD, AND MAY NOT BE COPIED OR REPRODUCED WITHOUT THEIR PRIOR WRITTEN PERMISSION