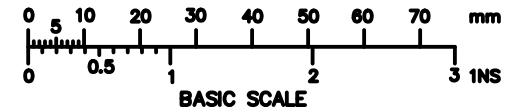


DRG No  
BL/D4318/01-10 INST  
USED ON

THIRD ANGLE PROJECTION

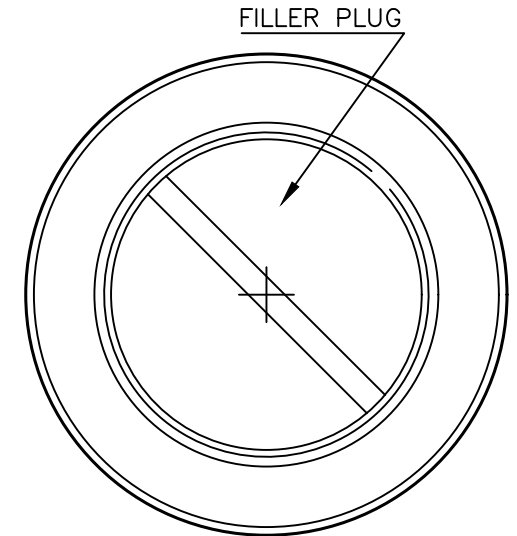
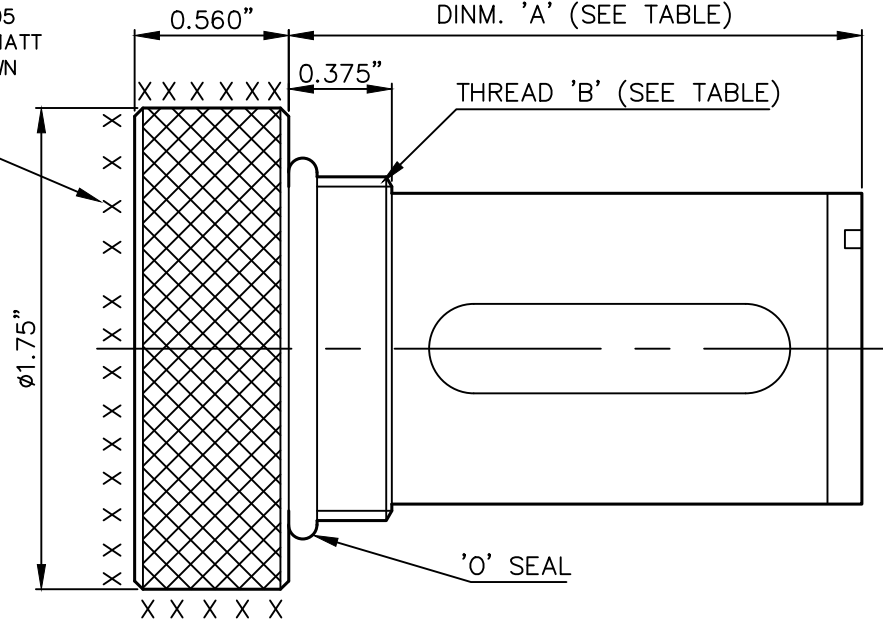
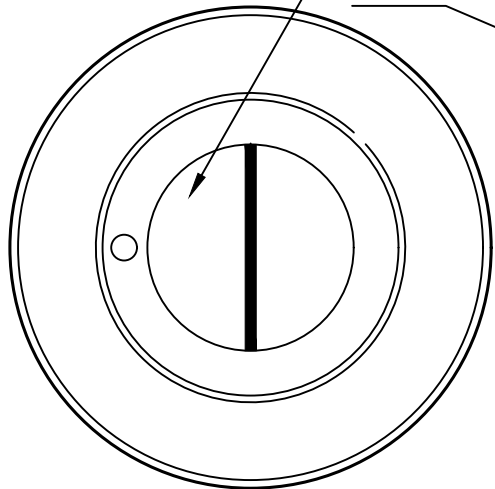
REMOVE ALL SHARP EDGES UNLESS SPECIFIED

DO NOT SCALE - ASK



SPLIT LEVEL HUMIDITY INDICATOR (SEE TABLE)

BL/D4318/03-04-05  
-07 & 09, PAINT MATT  
BLACK WHERE SHOWN  
AFTER PLATING



THIS DRAWING IS THE PROPERTY OF BROWNELL LTD. AND MAY NOT BE COPIED OR REPRODUCED WITHOUT THEIR PRIOR WRITTEN PERMISSION

R.F. SCREENED UNITS - THE MOUNTING THREAD IS ELECTROLESS NICKLE FOR R.F. CONTINUITY. SURFACES MARKED THUS \*\*\* TO BE PAINTED MATT BLACK AFTER PLATING.

EACH ITEM IS PACKAGED FOR A TEMPERATE SHELF LIFE OF 5 YEARS OR FOR 3 YEARS TROPICAL STORAGE.

DRG. No.	LENGTH 'A' INS OR MM	THREAD 'B'	BEADED DESICCANT	NOMINAL CONTENTS	INDICATOR LEVELS	R.F. SCREEN	N.S.N. 4440-99-
BL/D4318/01	2.084"	1.25x20UN	SILICA GEL	20 GRMS	30/50%R.H.	NO	
BL/D4318/02	2.084"	M32x1.5-6g	SILICA GEL	20 GRMS	30/50%R.H.	NO	535-4337
BL/D4318/03	2.084"	M32x1.5-6g	MOLSIEVES	20 GRMS	15/30%R.H.	YES **	497-2259
BL/D4318/04	2.084"	M32x1.5-6g	SILICA GEL	20 GRMS	30/50%R.H.	YES **	252-6352
BL/D4318/05	2.084"	1.25x20UN	SILICA GEL	20 GRMS	30/50%R.H.	YES **	
BL/D4318/06	106 MM	M32x1.5-6g	SILICA GEL	40 GRMS	30/50%R.H.	NO	
BL/D4318/07	106 MM	M32x1.5-6g	SILICA GEL	40 GRMS	30/50%R.H.	YES **	
BL/D4318/08	106 MM	M32x1.5-6g	MOLSIEVES	40 GRMS	15/30%R.H.	NO	
BL/D4318/09	106 MM	M32x1.5-6g	MOLSIEVES	40 GRMS	15/30%R.H.	YES **	
BL/D4318/10	2.084"	M32x1.5-6g	SILICA GEL	20 GRMS	NONE	NO	

NOTE :- THE TERM 'MOLSIEVES' IN THE ABOVE TABLE REFERS TO GRADE 4A 1-3MM MOLECULAR SIEVES TO BS7444. - THE SILICA GEL DESICCANT CONFORMS TO BS7554

N.S.N. ADDED FOR /03	MOD No	ISSUE	DATE
7060	7		14-01-19
6154	6		03-06-05
710 ADDED	6115	5	15-09-04
	5791	4	28-04-01

MATERIAL ALUMINIUM ALLOY	PROTECTIVE FINISH ANODISED (EXCEPT WHERE STATED)	TOLERANCES	BROWNELL Ltd. LONDON NW10 7XF	DRAWN SKS	CHECKED RB
		DIMENSIONS IN In/mm MS & MM			
EST. WT.		SURFACE ROUGHNESS	TITLE DESICCANT CONTAINER DEHUMIDIFIER (PANEL MOUNTING)	DRAWING NUMBER BL/D4318/01-10 INST	
		SCALE (ORIGINAL)	2:1		