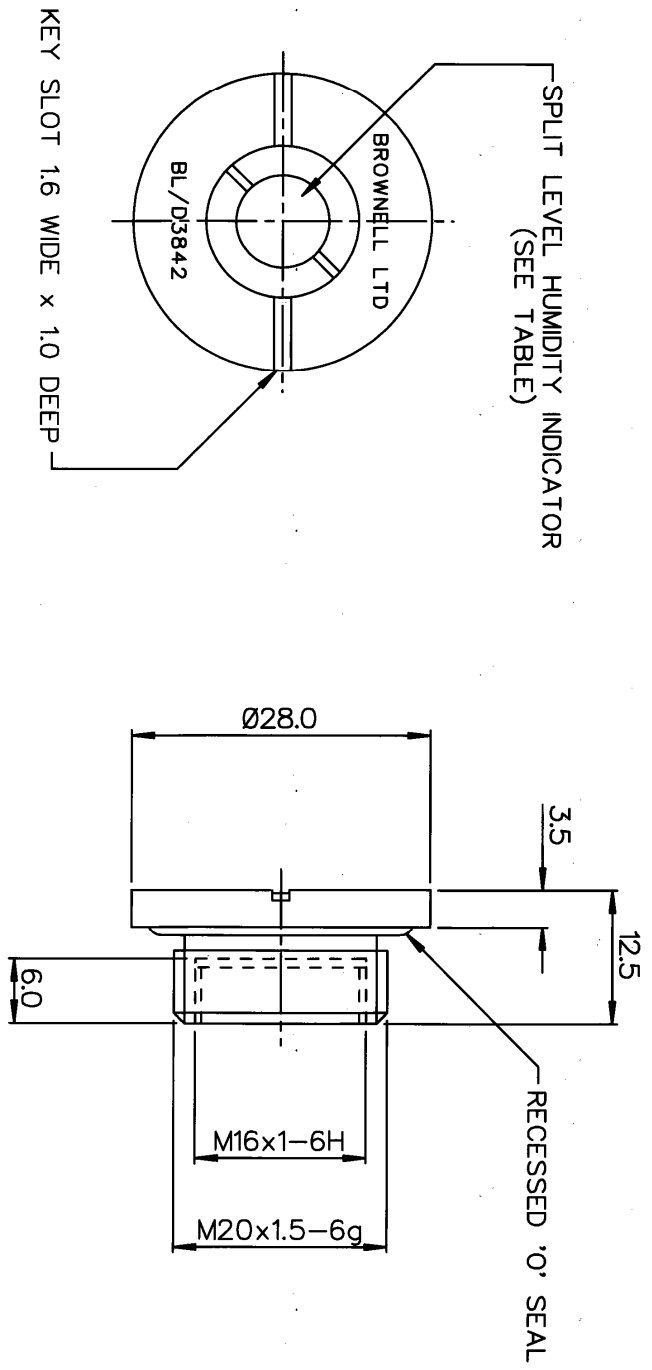
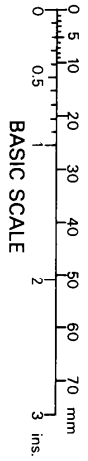


THIRD ANGLE PROJECTION

DRG. No.
BL/D 3842/1-2 INST
USED ON

REMOVE ALL SHARP EDGES UNLESS SPECIFIED.

DO NOT SCALE - ASK.



DRG No	NSN	INDICATOR LEVELS AT 25 °C
BL/D3842/1		15 & 30% RH
BL/D3842/2	6685-99-574-0733	30 & 50% RH

NOTES

1. CONFORMS TO DEF STAN 66-14 (SEALING - TEST No 14.3 PRESSURE DIFFERENTIAL TO BE 5.0±0.5 PSI).
2. INTERNAL THREAD TO FIT TUBULAR DESICCATORS BL/D2713 OR BL/D3159.
3. PACKAGED FOR A SHELF LIFE OF 5 YEARS WHEN STORED IN TEMPERATE CONDITIONS.

MATERIAL	PROTECTIVE TREATMENT	TOLERANCES UNLESS STATED
ALUM ALLOY	ANODISED	±0.25
EST. WT.		DIMNS. IN MM /m.m. SCALE (ORIGINAL) 2 : 1

TITLE
BROWNELL LTD. LONDON, N.W.10.
INDICATOR HUMIDITY PLUG

CUSTOMERS REF.	CHANGE	MOD. No.	ISSUE	DATE
	REDRAWN	4078	6	9/3/92

DRAWING No.
BL/D 3842/1-2 INST