

THIS DRAWING IS THE PROPERTY OF BROWNELL LTD. AND MAY NOT BE COPIED OR REPRODUCED WITHOUT THEIR PRIOR WRITTEN PERMISSION

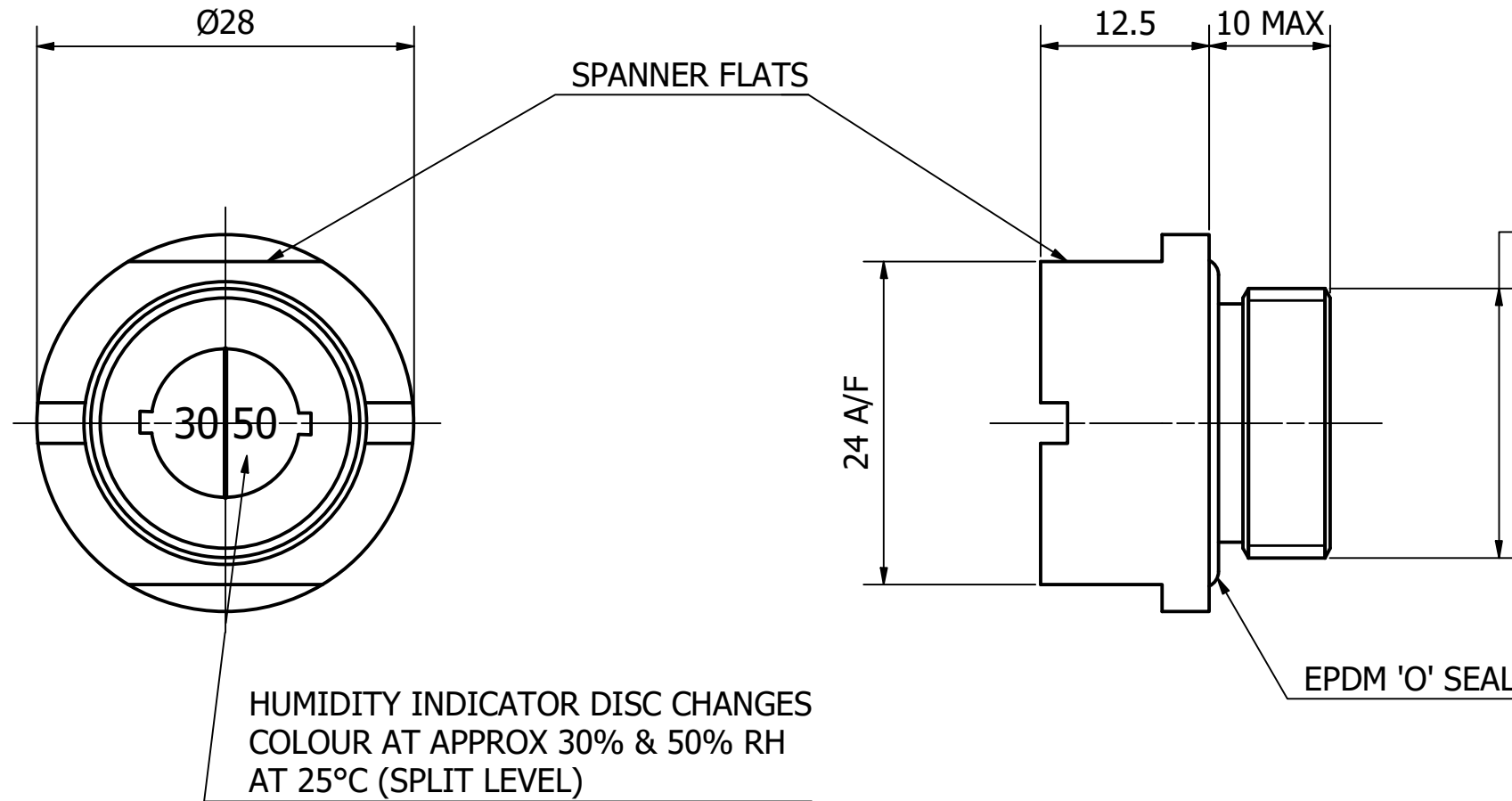
DRG No
BL/D3724 INST

USED ON -

REMOVE ALL SHARP EDGES UNLESS SPECIFIED

THIRD ANGLE PROJECTION

DO NOT SCALE - ASK

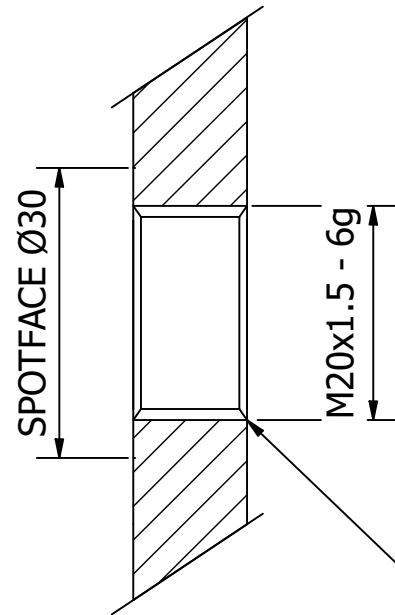


M20 x 1.5 - 6g
NATURAL FINISH
FOR R.F. SCREENING
CONTINUITY

EPDM 'O' SEAL

HUMIDITY INDICATOR DISC CHANGES
COLOUR AT APPROX 30% & 50% RH
AT 25°C (SPLIT LEVEL)

NOT TO EXCEED 0.8um CLA



THREAD RELIEF NOT TO
EXTEND BEYOND MAJOR
DIAMETER OF THREAD
MUST BE UNPLATED FINISH

PANEL MOUNTING DETAIL

NOTES:

INTERNAL THREAD M16x1 - 6H TO FIT VARIOUS SILICA GEL FILLED DESICCANT CONTAINERS DEHUMIDIFIER

THE ITEM IS PACKAGED FOR A 5 YEAR TEMPERATE OR 3 YEAR TROPICAL SHELF LIFE IN MFL EITHER INDIVIDUALLY OR ENVELOPES HOLDING 3

CHANGE	MOD No	ISSUE	DATE
THREAD FINISH CHANGED	7180	7	07/02/20
REDRAWN	5882	6	11/01/02
LETTER 'M' DELETED	5381	5	18/01/99
ND LEVELS CHANGED	4895	4	23/04/96
		3	

RED DOT=ORIGINAL	DRAWN	CHECKED
BLACK DOT=COPY	SKS	RB

DRAWING NUMBER
BL/D3724 INST

MATERIAL ALUMINIUM ALLOY	PROTECTIVE FINISH BLACK ANODISED & NATURAL THREAD	UNLESS OTHERWISE STATED	ANGULAR DIMS ± 0.5°	LINEAR DIMS 0 = ± 0.5 0.0 = ± 0.25 0.00 = ± 0.05
EST. WT. ----		SURFACE ROUGHNESS 3.2 µm (N8)		
		DIMENSIONS IN in/mm		mm
		SCALE (ORIGINAL)		2:1

BROWNELL Ltd. LONDON NW10 7XF

TITLE
INDICATOR HUMIDITY PLUG
R.F. SCREENED
STYLE RIHP6M - DEF STAN 66-14
6685-99-225-3313