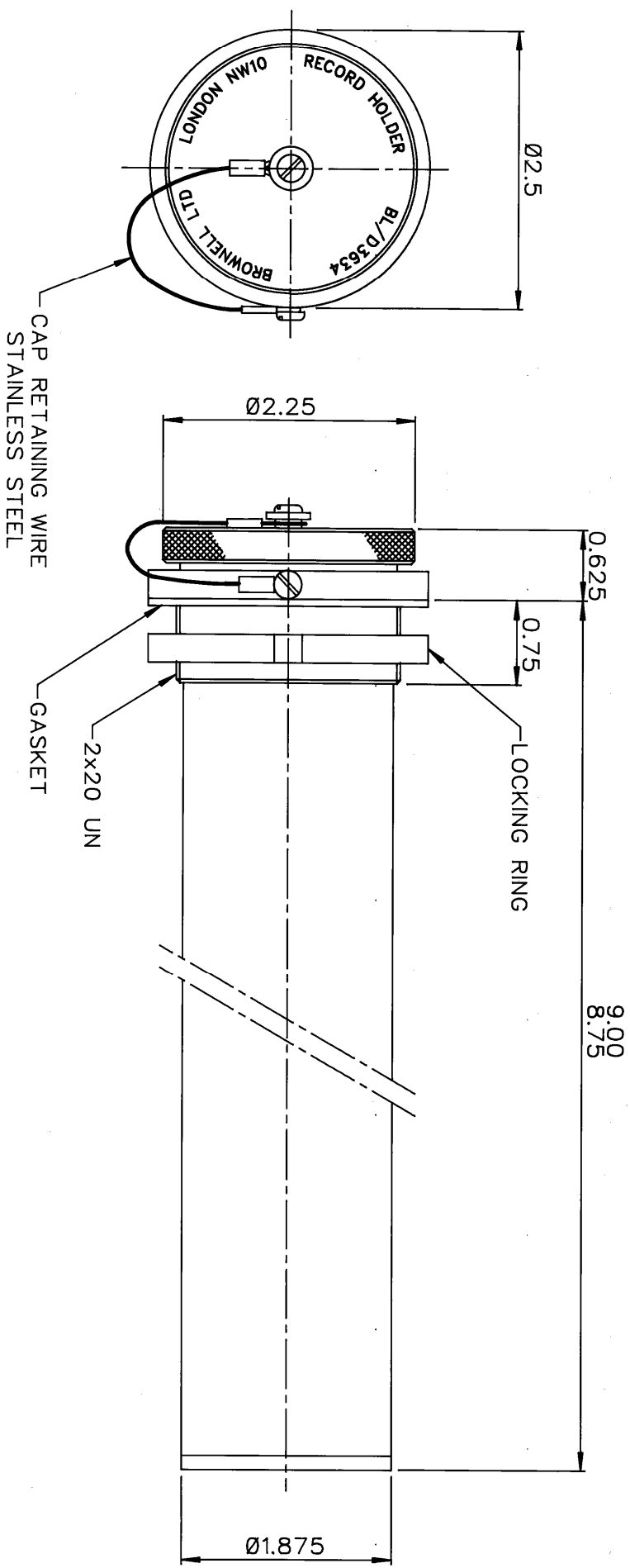
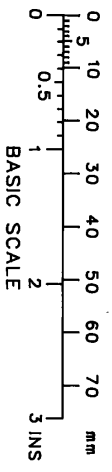


THIS DESIGN IS THE PROPERTY OF BROWNELL LTD  
AND MAY NOT BE COPIED OR REPRODUCED  
WITHOUT THEIR PRIOR WRITTEN PERMISSION

DRG No  
BL/D 3634/01 INST  
USED ON

THIRD ANGLE PROJECTION

REMOVE ALL SHARP EDGES UNLESS SPECIFIED DO NOT SCALE - ASK



MATERIAL  
ALUM ALLOY  
EST. WT. —

PROTECTIVE TREATMENT  
ANODISED BLACK

TOLERANCES UNLESS STATED  
 $\pm 0.062$

DIMNS IN INS / mm  
SCALE (ORIGINAL) 1 : 1

BROWNELL LIMITED LONDON NW10  
TITLE 8140-99-729-7840  
RECORD HOLDER

CUSTOMER REF.  
DRAWING No  
BL/D 3634/01 INST

| CHANGE                     | MOD No | ISSUE | DATE    |
|----------------------------|--------|-------|---------|
| CAP RETAINING WIRE CHANGED | 5636   | 7     | 12/4/00 |
| PRINTING DETAIL ADDED      | 5013   | 6     | 5/2/97  |
| METAL VERSION ADDED        |        |       |         |
|                            |        |       |         |