

DRG. No.

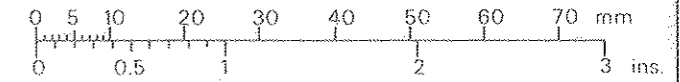
BL/D2719/8-17

USED ON DEF. STAN. 44-2

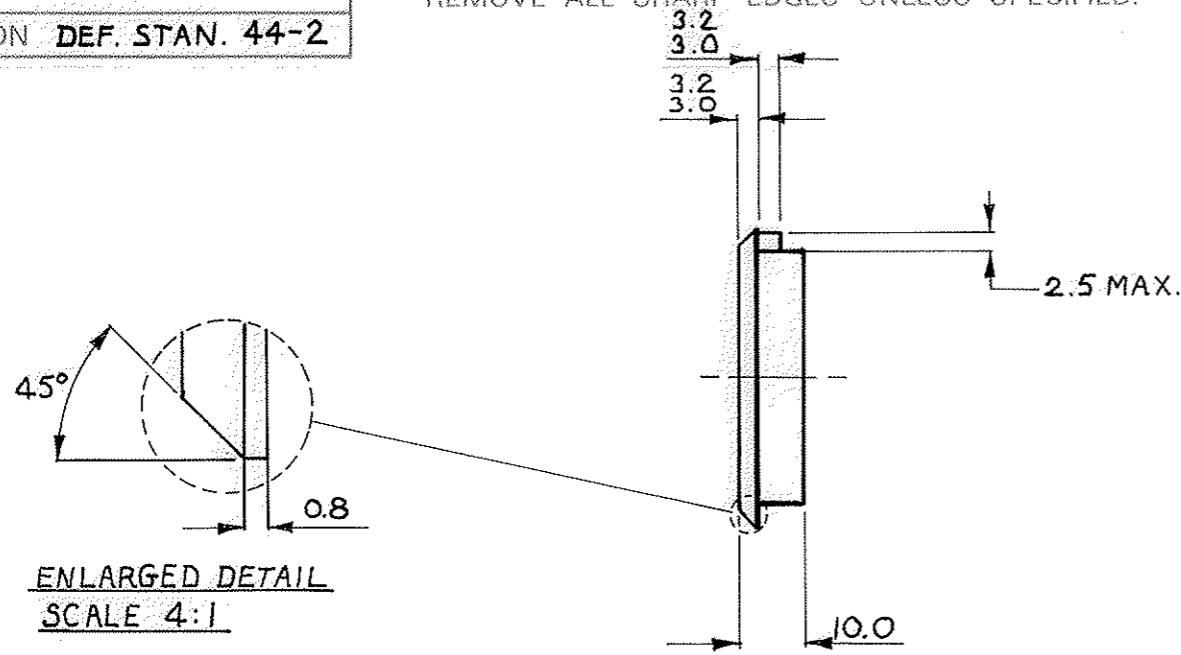
THIRD ANGLE PROJECTION

REMOVE ALL SHARP EDGES UNLESS SPECIFIED.

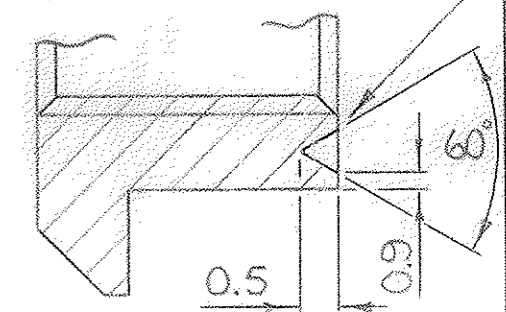
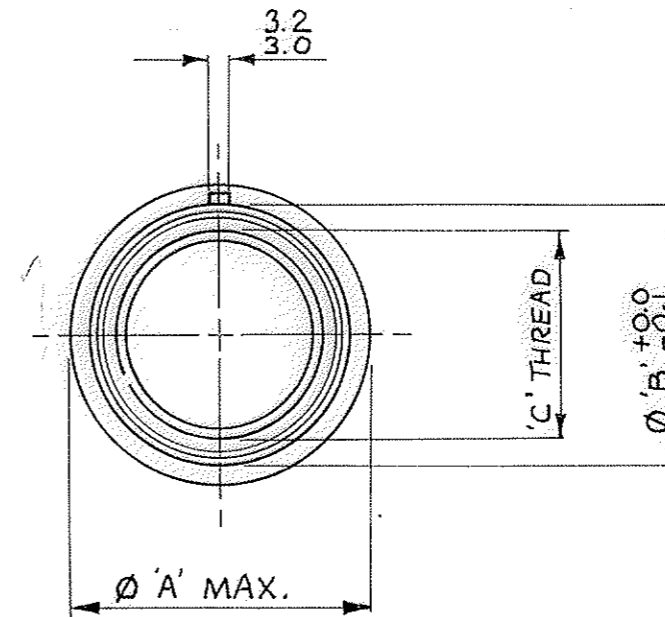
DO NOT SCALE - ASK.



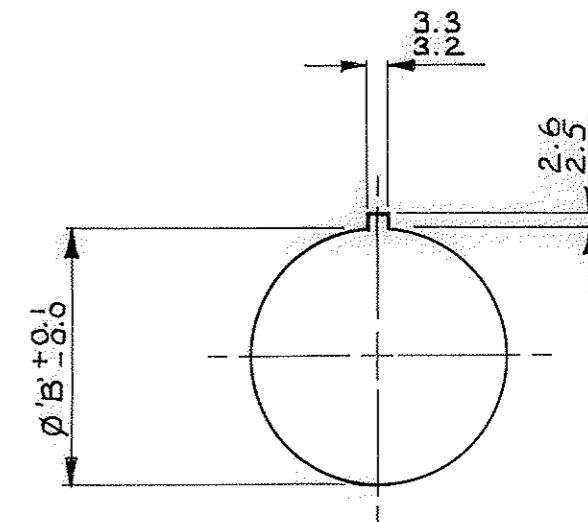
NOTE - THIS GROOVE DENOTES METRIC THREAD



ENLARGED DETAIL
SCALE 4:1



SCRAP VIEW



PANEL HOLE DIMENSIONAL DETAIL

| PROTECTIVE FINISH | STYLE REF. | DRG. REF. | 'A' MAX. | 'B' DIA. | 'C' THREAD | NATO STOCK NUMBER. |
|---|------------|---------------|----------|----------|------------|--------------------|
| ANODISED DEF 151 TYPE I DYED BLUE-BLACK | PB 1 M | BL/D2719/8 | 32.5 | 25.0 | M20x1.5-6H | 4440-99-225-3696 |
| | PB 2 M | " /9 | 45.0 | 38.0 | M32x1.5-6H | 4440-99-225-3697 |
| | PB 3 M | " /10 | 48.5 | 41.5 | M35x1.5-6H | 4440-99-225-3698 |
| | PB 4 M | " /11 | 51.5 | 44.5 | M39x1.5-6H | 4440-99-225-3699 |
| | PB 5 M | " /12 | 58.0 | 51.0 | M44x1.5-6H | |
| | PB 6 M | " /13 | 64.5 | 58.0 | M52x1.5-6H | 4440-99-225-3700 |
| | PB 7 M | " /14 | 75.0 | 66.0 | M60x1.5-6H | 4440-99-225-3701 |
| | PB 8 M | " /15 | 56.0 | 48.0 | M42x1.5-6H | |
| | PB 9 M | " /16 | 38.0 | 30.0 | M25x1.5-6H | 4440-99-225-3702 |
| | PB 10 M | " /17 | 38.0 | 30.0 | M24x1.5-6H | |
| NATURAL FINISH | PB 1 MNA | BL/D2719/8 NA | 32.5 | 25.0 | M20x1.5-6H | 4440-99-225-3703 |
| | PB 2 MNA | " /9 NA | 45.0 | 38.0 | M32x1.5-6H | 4440-99-225-3704 |
| | PB 3 MNA | " /10 NA | 48.5 | 41.5 | M35x1.5-6H | 4440-99-225-3705 |
| | PB 4 MNA | " /11 NA | 51.5 | 44.5 | M39x1.5-6H | 4440-99-225-3706 |
| | PB 5 MNA | " /12 NA | 58.0 | 51.0 | M44x1.5-6H | |
| | PB 6 MNA | " /13 NA | 64.5 | 58.0 | M52x1.5-6H | 4440-99-225-3707 |
| | PB 7 MNA | " /14 NA | 75.0 | 66.0 | M60x1.5-6H | 4440-99-225-3708 |
| | PB 8 MNA | " /15 NA | 56.0 | 48.0 | M42x1.5-6H | |
| | PB 9 MNA | " /16 NA | 38.0 | 30.0 | M25x1.5-6H | 4440-99-225-3709 |
| | PB 10 MNA | " /17 NA | 38.0 | 30.0 | M24x1.5-6H | |

| | | | |
|---|----------|-------|----------|
| DIP BRAZING NOTE DELETED METRIC SYMBOL DELETED | 5385 | 15 | 26.1.99 |
| SCRAP VIEW ENLARGED | 3371 | 14 | 10.9.87 |
| /17 ADDED | 3075 | 13 | 30.5.86 |
| NOTE ADDED - BRAZING | 3065 | 12 | 6.5.86 |
| GROOVE ADDED | 2833 | 11 | 25.10.84 |
| REDRAWN | 2751 | 10 | 13.6.84 |
| CHANGE | MOD. No. | ISSUE | DATE |

MATERIAL
ALUMINIUM ALLOY
S 4300/5 2011T3
31474 HE.30.TF

PROTECTIVE
TREATMENT
SEE TABLE

TOLERANCES
UNLESS
STATED

DIMNS. IN INS/m.m. m.m.

SCALE (ORIGINAL)

BROWNELL LTD. LONDON, N.W.10.

TITLE

PANEL BUSH (METRIC)

CUSTOMERS REF.

DRAWN
E.H.

CHECKED
R

DRAWING No.

BL/D2719/8-17

THIS DESIGN IS THE PROPERTY OF BROWNELL LTD. AND MAY NOT BE COPIED OR REPRODUCED WITHOUT THEIR PRIOR WRITTEN PERMISSION.