

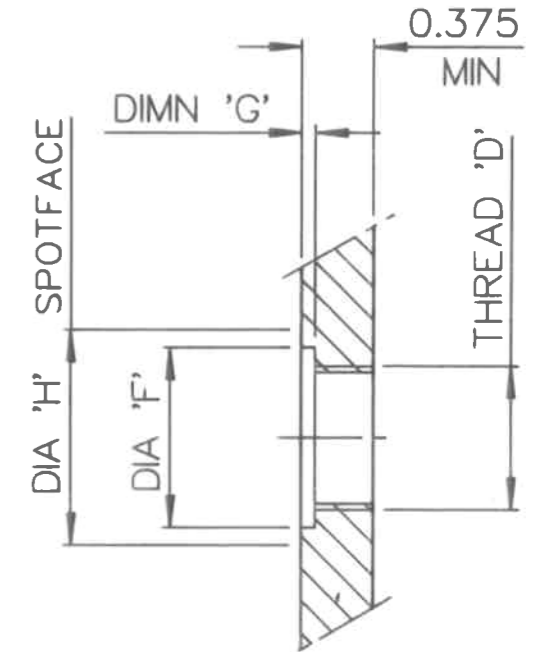
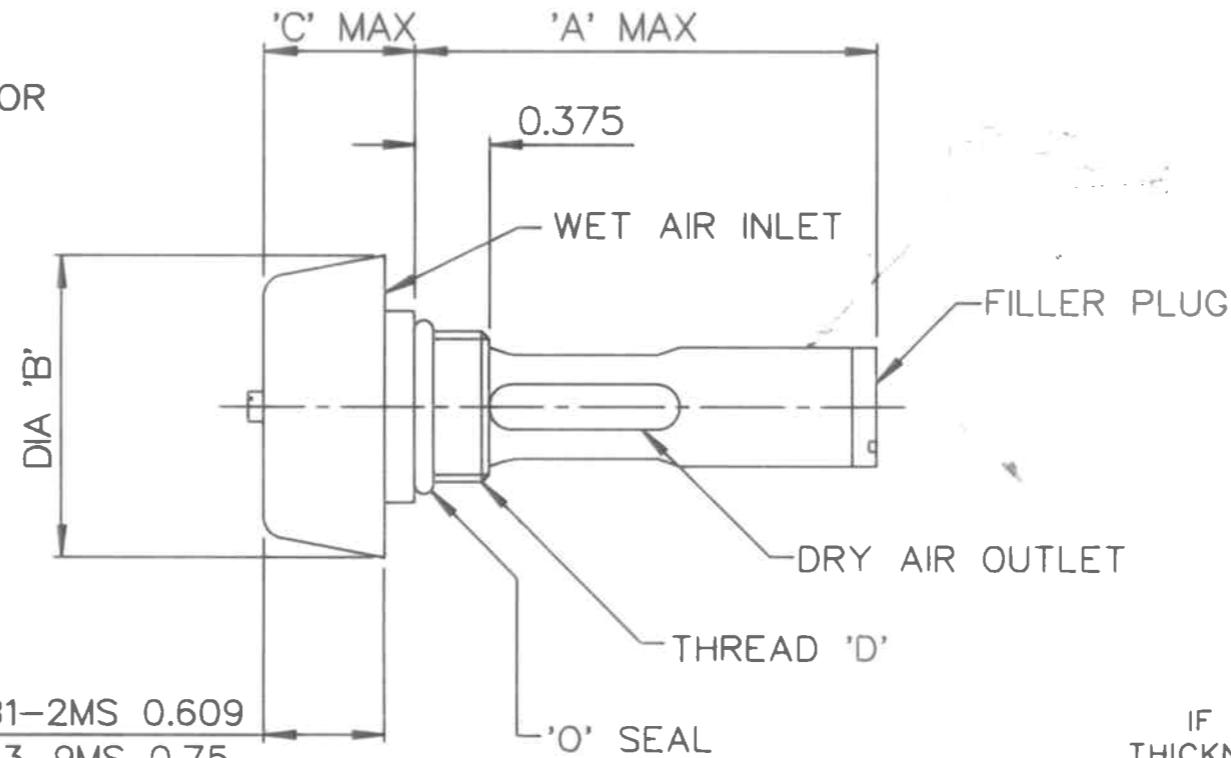
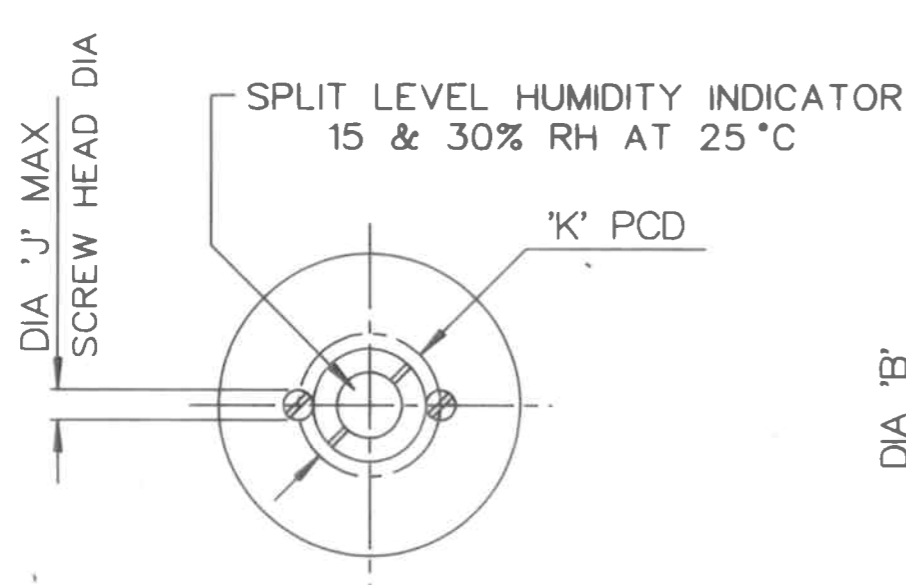
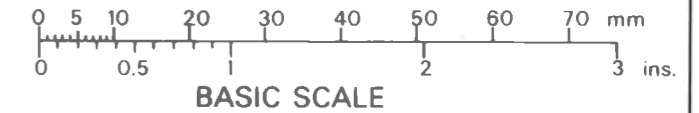
DRG. No. SHT 2 OF 2
BL/D 1462/10-18 INST

USED ON

THIRD ANGLE PROJECTION

REMOVE ALL SHARP EDGES UNLESS SPECIFIED.

DO NOT SCALE - ASK.



PANEL MOUNTING DETAILS

IF THE PANEL IS OF INSUFFICIENT THICKNESS SEE DEF STAN 44-2 PART 1 FOR ALTERNATIVE METHOD OF MOUNTING

XDB1-2MS 0.609
XDB3-9MS 0.75

THIS DESIGN IS THE PROPERTY OF BROWNELL LTD. AND MAY NOT BE COPIED OR REPRODUCED WITHOUT THEIR PRIOR WRITTEN PERMISSION.

DRG No	NSN	STYLE	'A' MAX	DIA 'B'	'C' MAX	THREAD 'D'	NOMINAL CONTENTS	DIA 'F'	DIMN 'G'	DIA 'H'	DIA 'J' MAX	'K' PCD
BL/D1462/10	4440-99-657-8982	XDB1MS	2.407	1.50	0.766	0.75 UNEF	5 GRM	0.937	0.074	1.125	0.158	0.750
BL/D1462/11	4440-99-755-3356	XDB2MS	4.407	1.50	0.766	0.75 UNEF	10 GRM	0.937	0.074	1.125	0.158	0.750
BL/D1462/12	4440-99-652-1079	XDB3MS	2.094	2.187	1.016	1.25x20 UN	20 GRM	1.450	0.074	1.625	0.194	1.125
BL/D1462/13	4440-99-718-6179	XDB4MS	4.094	2.187	1.016	1.25x20 UN	40 GRM	1.450	0.074	1.625	0.194	1.125
BL/D1462/14		XDB5MS	4.032	2.437	1.016	1.5x20 UN	60 GRM	N.A.	N.A.	2.00	0.194	1.600
BL/D1462/15		XDB6MS	7.532	2.437	1.016	1.5x20 UN	100 GRM	N.A.	N.A.	2.00	0.194	1.600
BL/D1462/16		XDB7MS	8.532	3.00	1.016	2.0x20 UN	200 GRM	N.A.	N.A.	2.50	0.252	1.750
BL/D1462/17		XDB8MS	12.532	3.00	1.016	2.0x20 UN	300 GRM	N.A.	N.A.	2.50	0.252	1.750
BL/D1462/18		XDB9MS	13.532	3.50	1.016	2.25x20 UN	400 GRM	N.A.	N.A.	3.00	0.252	2.000

NOTES

- FILLED WITH BEADED MOLECULAR SIEVES DESICCANT, SPEC. BS7444.
- CONFORMS TO DEF STAN 44-2.
- PACKAGED FOR A SHELF LIFE OF 5 YEARS WHEN STORED IN TEMPERATE CONDITIONS.
- SEE SHEET 1 FOR BL/D1462/1-9 (XDB1-9).

	6317	19	16-07-09
REDRAWN	4076	18	4/3/92
CHANGE	MOD. No.	ISSUE	DATE

MATERIAL ALUM ALLOY	PROTECTIVE TREATMENT ANODISED & DYED BLACK	TOLERANCES UNLESS STATED ±0.015	BROWNELL LTD. LONDON, N.W.10.	CUSTOMERS REF.	DRAWN LJ	CHECKED K
EST. WT.		DIMNS. IN INS/ FR-FR SCALE (ORIGINAL) N.T.S	TITLE DESICCANT CONTAINER DEHUMIDIFIER (BREATHING TUBE)	DRAWING No. SHT 2 OF 2 SHTS BL/D 1462/10-18 INST		