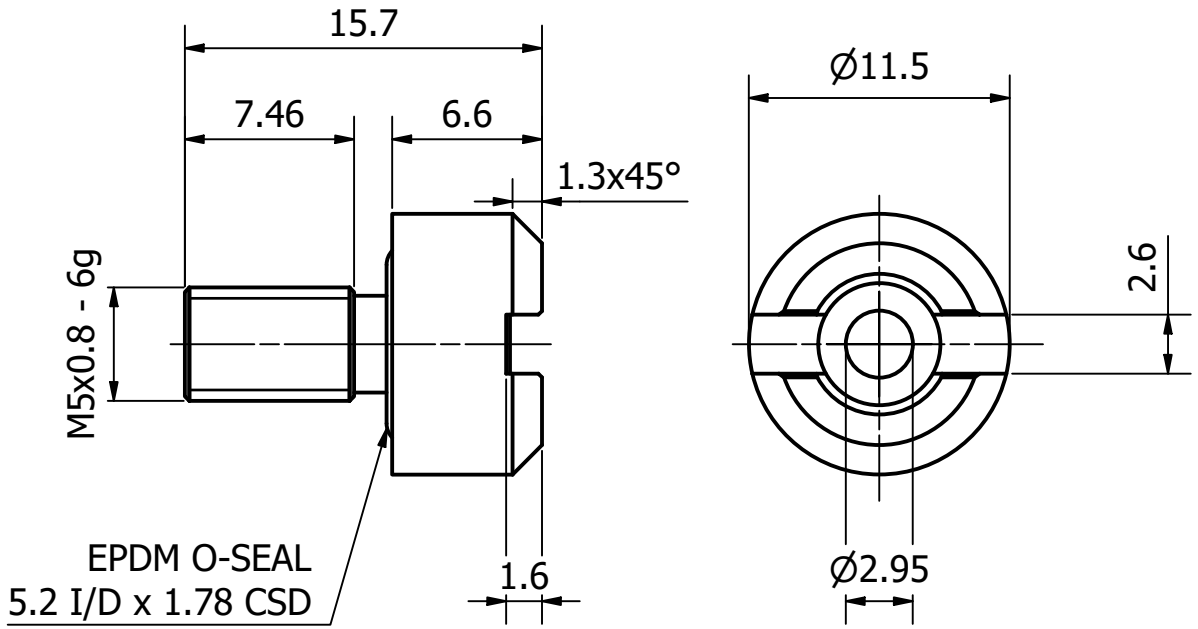


DRG No
BL/D13812 INST

REMOVE ALL SHARP EDGES
UNLESS SPECIFIED

DO NOT SCALE - ASK

USED ON





EPDM O-SEAL
5.2 I/D x 1.78 CSD

NOTES:

1. BREATHER FITTED WITH 3-MICRON MEMBRANE DISC INSIDE.

THIS DESIGN IS THE PROPERTY OF BROWNELL LTD, AND MAY NOT BE COPIED OR REPRODUCED WITHOUT THEIR PRIOR WRITTEN PERMISSION

| | | | | | |
|--|---|-----------------|-------------------------------|-------------|----------|
| MATERIAL 316 STAINLESS STEEL IAW BS EN 10088-3 | PROTECTIVE FINISH NATURAL | | | | |
| EST. WT. | THIRD ANGLE PROJECTION | ORIGINAL | | 1 | 22/07/21 |
| DIMS IN SCALE | TOLERANCES : UNLESS OTHERWISE STATED | SURFACE TEXTURE | ANGULAR DIMS | LINEAR DIMS | |
| | | | | | |
|  RED DOT = ORIGINAL  BLACK DOT = COPY | BROWNELL LTD | | DRAWN | CHECKED | |
| | LONDON NW10 7XF | | IC | NP | |
| TITLE M5 MINI BREATHER | | | DRAWING No. BL/D13812 INST | | |