

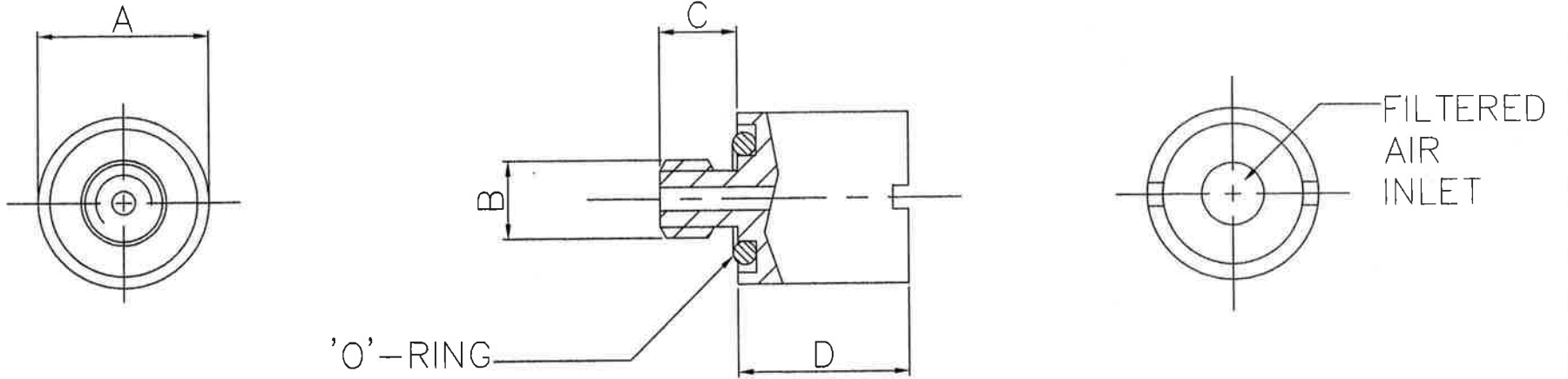
DRG No  
BL/D11544/01-04 INST

REMOVE ALL SHARP EDGES UNLESS SPECIFIED

THIRD ANGLE PROJECTION

DO NOT SCALE - ASK

USED ON -----



	DIMN 'A'	DIMN 'B'	DIMN 'C'	DIMN 'D'
BL/D11544/01	ø8.0	M3	7.0	2.9
BL/D11544/02	ø11.0	M5	5.0	11.0
BL/D11544/03	ø14.0	M8	6.0	9.0
BL/D11544/04	ø21.0	M12	9.0	13.5

ORIGINAL	1	18.03.13
CHANGE	MOD No	ISSUE DATE

MATERIAL PLASTIC	PROTECTIVE FINISH DYED BLACK	TOLERANCES UNLESS OTHERWISE STATED	ANGULAR DIMS. -----	LINEAR DIMS. ±0.2 (?)
			SURFACE TEXTURE	3.2 µm(N8)
EST. WT. -----		DIMENSIONS IN In/mm	mm	
		SCALE (ORIGINAL)	DNS	

**BROWNELL Ltd. LONDON NW10 7XF**

TITLE **SPLASH PROOF BREATHERS**

● RED DOT=ORIGINAL	DRAWN DN	CHECKED
--------------------	-------------	---------

DRAWING NUMBER  
BL/D11544/01-04 INST

THIS DRAWING IS THE PROPERTY OF BROWNELL LTD. AND MAY NOT BE COPIED OR REPRODUCED WITHOUT THEIR PRIOR WRITTEN PERMISSION