

DRG No  
BL/D11534 INST

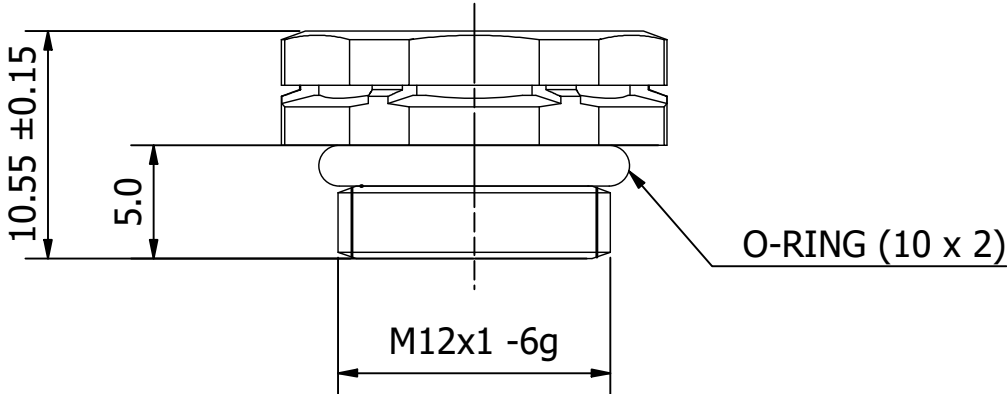
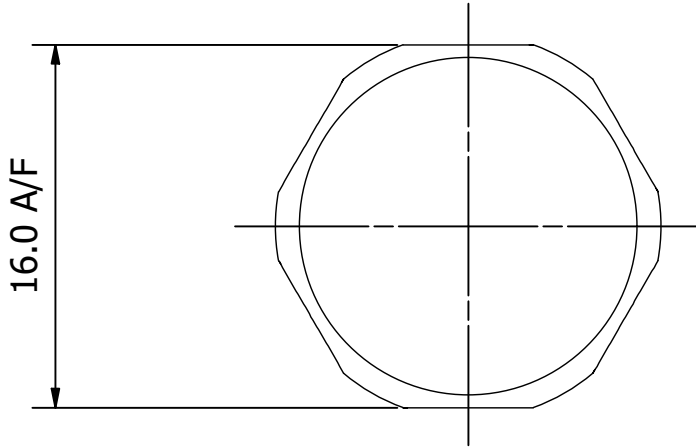
REMOVE ALL SHARP EDGES  
UNLESS SPECIFIED

DO NOT SCALE - ASK

USED ON \_\_\_\_\_



ISOMETRIC VIEW  
SCALE 2:1



THIS DESIGN IS THE PROPERTY OF BROWNELL LTD, AND MAY NOT BE COPIED OR REPRODUCED WITHOUT THEIR PRIOR WRITTEN PERMISSION

|  |  |                 |                |  |          |
|--|--|-----------------|----------------|--|----------|
| MATERIAL                               | PROTECTIVE FINISH                      |                 |                |  |          |
| PLASTIC                                | DYED BLACK<br>SMOOTH FINISH            | DIMENSIONS      | 7218           | 3  | 27/10/20 |
|  |  |                 | 6545           | 2  | 09.09.13 |
|  |  | ORIGINAL        |                | 1  | 19.02.13 |
| EST. WT. —                             | THIRD ANGLE PROJECTION                 | CHANGE          | MOD No         | ISSUE                                    | DATE     |
| DIMS IN mm                             | TOLERANCES UNLESS OTHERWISE STATED     | SURFACE TEXTURE | ANGULAR DIMS   | LINEAR DIMS                              |          |
| SCALE 3:1                              |  | 3.2 μm(N8)      | ± 0.5°         | 0. = ±0.5<br>0.0 = ±0.25<br>0.00 = ±0.05 |          |
| RED DOT = ORIGINAL<br>BLACK DOT = COPY | <b>BROWNELL LTD</b><br>LONDON NW10 7XF |                 | DRAWN          | CHECKED                                  |          |
|  |  |                 | SKS            | NP                                       |          |
| TITLE                                  |  |                 | DRAWING No.    |  |          |
| BREATHHER HEAD                         |  |                 | BL/D11534 INST |  |          |