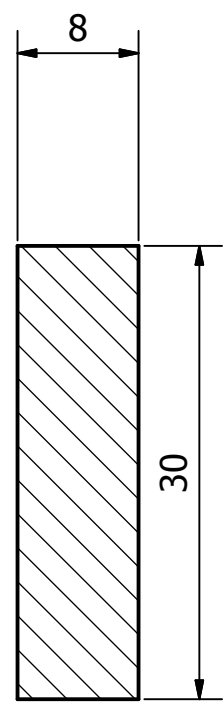
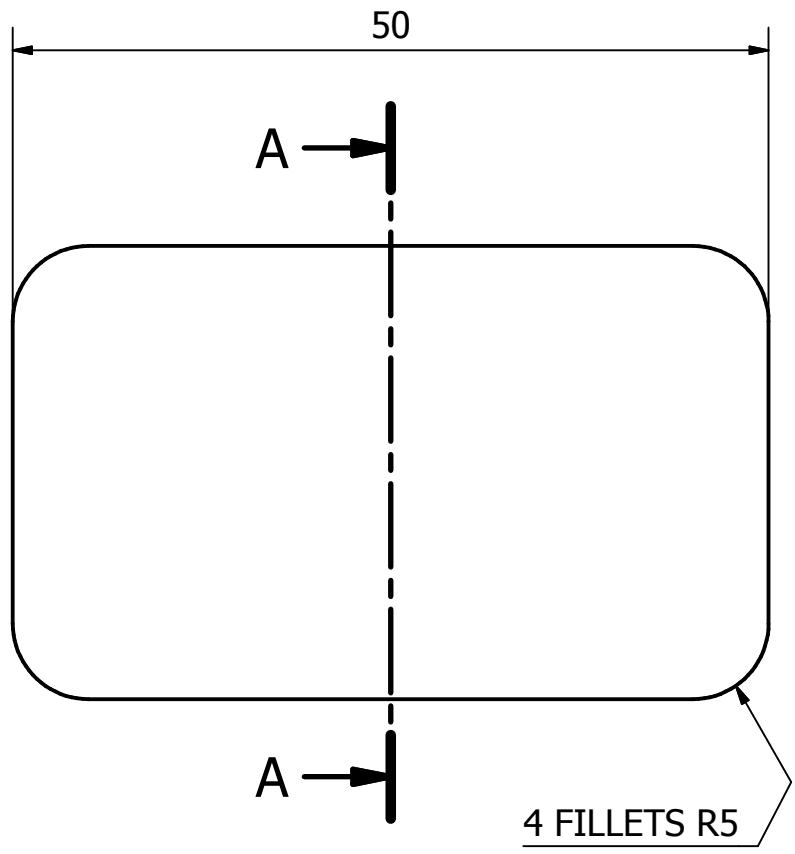
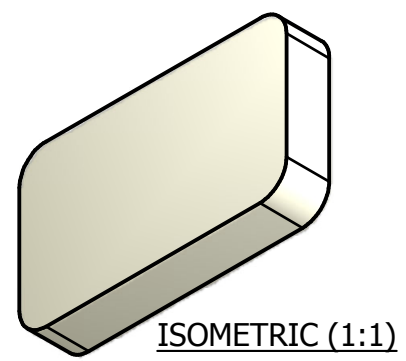


DRG No  
**BL/D11117**  
USED ON -----

REMOVE ALL SHARP EDGES  
UNLESS SPECIFIED DO NOT SCALE - ASK

NOTE:  
INDIVIDUALLY PACKED  
FOR A 5 YEAR SHELF LIFE



A-A (2:1)

THIS DESIGN IS THE PROPERTY OF BROWNELL LTD, AND MAY NOT BE COPIED OR REPRODUCED WITHOUT THEIR PRIOR WRITTEN PERMISSION

MATERIAL		PROTECTIVE FINISH				
VMAP-G		-----				
				ORIGINAL	1	04-07-11
EST. WT.	-----	THIRD ANGLE PROJECTION		CHANGE	MOD No	ISSUE DATE
DIMS IN	mm	SURFACE TEXTURE		TOLERANCES : UNLESS OTHERWISE STATED		ANGULAR DIMS LINEAR DIMS
SCALE	2:1	-----			----	±0.1
RED DOT = ORIGINAL BLACK DOT = COPY		<b>BROWNELL LTD</b> LONDON NW10 7XF			DRAWN AM	CHECKED
TITLE MOISTURE ADSORBING POLYMER				DRAWING No. <b>BL/D11117</b>		