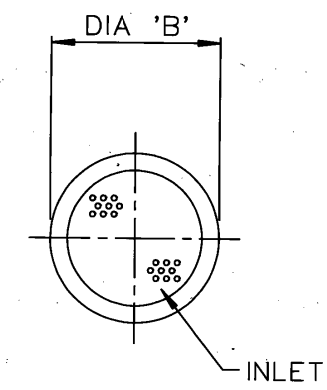
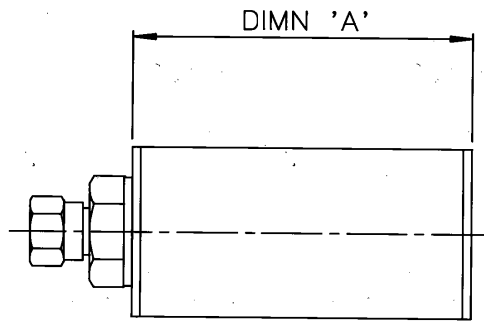
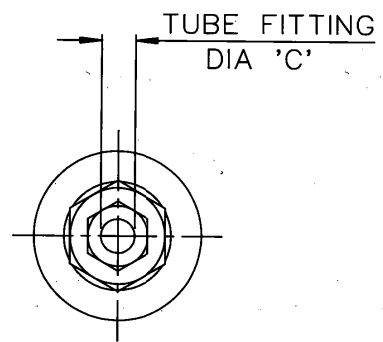
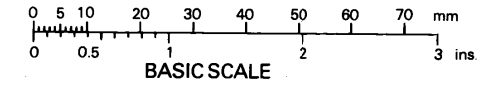


DRG. No.
BL/D 1097/01-18 INST
USED ON

THIRD ANGLE PROJECTION

REMOVE ALL SHARP EDGES UNLESS SPECIFIED.

DO NOT SCALE - ASK.



DRG No	STYLE	DIMN 'A'	DIA 'B'	DIA 'C'	NOMINAL CONTENTS	WORKING CAPACITY	DESICCANT
BL/D1097/01	NIBT1	2.25	0.75	0.25	5 GRM	0.25 ft ³	BEADED SILICA GEL BS7554
BL/D1097/02	NIBT2	4.0	0.75	0.25	10 GRM	0.5 ft ³	
BL/D1097/03	NIBT3	2.5	1.25	0.25	20 GRM	1.0 ft ³	
BL/D1097/04	NIBT4	4.5	1.25	0.25	40 GRM	2.0 ft ³	
BL/D1097/05	NIBT5	3.5	1.50	0.25	60 GRM	3.0 ft ³	
BL/D1097/06	NIBT6	4.0	2.0	0.375	100 GRM	5.0 ft ³	
BL/D1097/07	NIBT7	7.25	2.0	0.375	200 GRM	10.0 ft ³	
BL/D1097/08	NIBT8	10.5	2.0	0.5	300 GRM	15.0 ft ³	
BL/D1097/09	NIBT9	13.75	2.0	0.5	400 GRM	20.0 ft ³	
BL/D1097/10	NIBT1MS	2.25	0.75	0.25	5 GRM	0.25 ft ³	MOLECULAR SIEVES GRADE 4A BS7444
BL/D1097/11	NIBT2MS	4.0	0.75	0.25	10 GRM	0.5 ft ³	
BL/D1097/12	NIBT3MS	2.5	1.25	0.25	20 GRM	1.0 ft ³	
BL/D1097/13	NIBT4MS	4.5	1.25	0.25	40 GRM	2.0 ft ³	
BL/D1097/14	NIBT5MS	3.5	1.50	0.25	60 GRM	3.0 ft ³	
BL/D1097/15	NIBT6MS	4.0	2.0	0.375	100 GRM	5.0 ft ³	
BL/D1097/16	NIBT7MS	7.25	2.0	0.375	200 GRM	10.0 ft ³	
BL/D1097/17	NIBT8MS	10.5	2.0	0.5	300 GRM	15.0 ft ³	
BL/D1097/18	NIBT9MS	13.75	2.0	0.5	400 GRM	20.0 ft ³	

NOTES

1. CONFORMS TO PRODUCT SPEC. No 1000.
2. ADD PREFIX 'R' IF R.F. SCREENING IS REQUIRED.
3. FOR OPTIONAL ADDITIONAL IN-LINE FILTER SEE BL/D4439.

/10-18 ADDED-REDRAWN	4392	4	20/12/93
CHANGE	MOD. No.	ISSUE	DATE

MATERIAL ALUM ALLOY	PROTECTIVE TREATMENT ANODISED	TOLERANCES UNLESS STATED	±0.015	BROWNELL LTD. LONDON, N.W.10.	CUSTOMERS REF.	DRAWN LJ	CHECKED [Signature]
		DIMNS. IN INCH/mm				TITLE DESICCANT CONTAINER DEHUMIDIFIER (BREATHING TUBE)	DRAWING No. BL/D 1097/01-18 INST
EST. WT. —		SCALE (ORIGINAL)	—				

THIS DESIGN IS THE PROPERTY OF BROWNELL LTD. AND MAY NOT BE COPIED OR REPRODUCED WITHOUT THEIR PRIOR WRITTEN PERMISSION.