

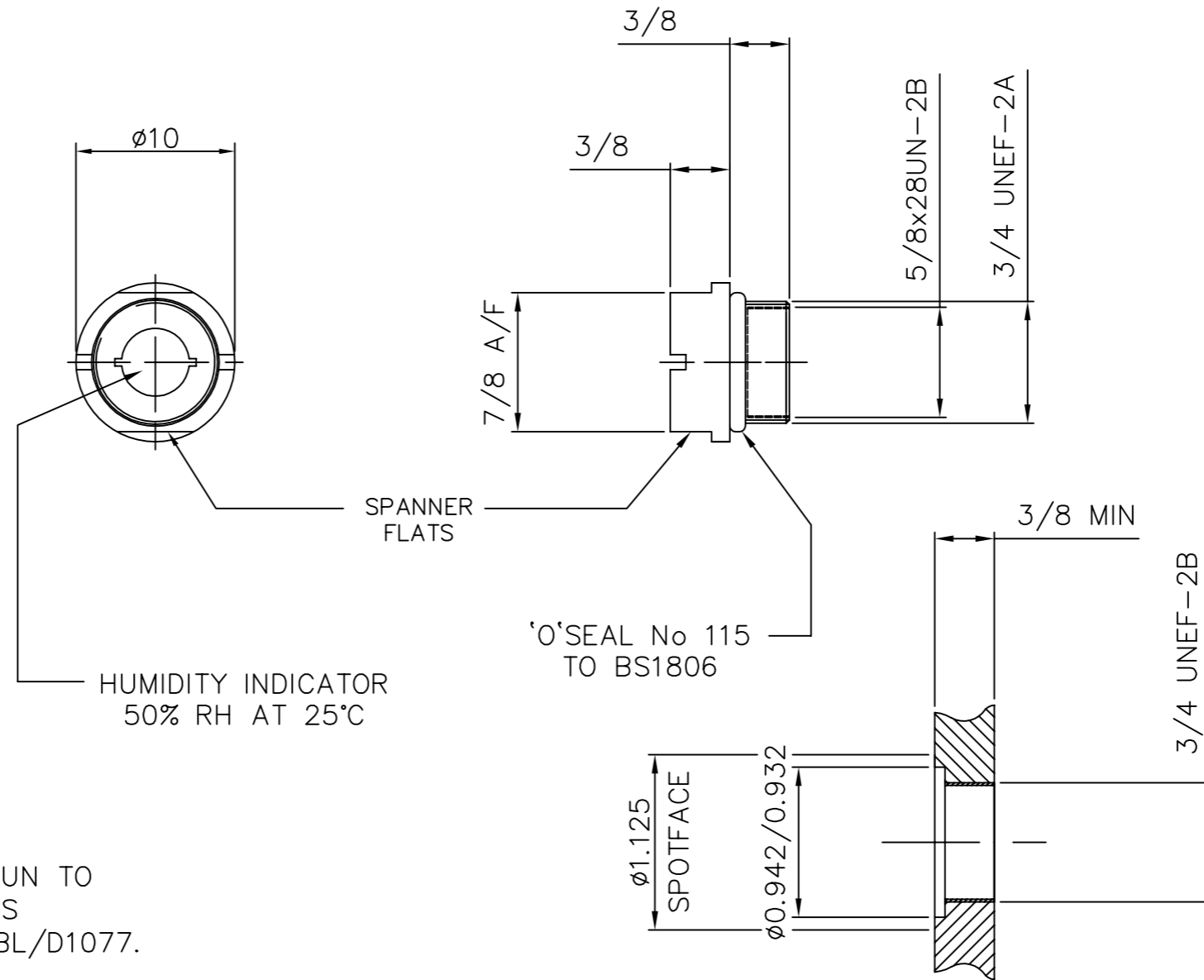
DRG No  
BL/D 1080 INST  
USED ON -----

REMOVE ALL SHARP EDGES UNLESS SPECIFIED

THIRD ANGLE PROJECTION

DO NOT SCALE - ASK

THIS DRAWING IS THE PROPERTY OF BROWNELL LTD., AND MAY NOT BE COPIED OR REPRODUCED WITHOUT THEIR PRIOR WRITTEN PERMISSION



PANEL MOUNTING DETAIL

NOTES

- INTERNAL THREAD 5/8x28UN TO FIT DESICCANT CONTAINERS DEHUMIDIFIER (TUBULAR) BL/D1077.
- NATO STOCK No 6685-99-687-1695 IS ALLOCATED TO DRG No BL/D1080/P5. SUFFIX P5 ADDED TO DRG No DENOTES THAT INDICATORS ARE SUPPLIED IN PACKS OF 5.
- TOLEARENCS: ±1/64 UNLESS OTHERWISE STATED

REMOVED NOTE, REDRAWN	6509	7	10/1/12
NSN CHANGED - REDRAWN	5988	6	19/9/02
CHANGE	MOD No	ISSUE	DATE

MATERIAL ALUM ALLOY	PROTECTIVE FINISH ANODISED TO DEF STAN 03-25 & DYED BLACK	TOLERANCES UNLESS OTHERWISE STATED	ANGULAR DIMS. ±0.5°	LINEAR DIMS. SEE NOTE 3	BROWNELL Ltd. LONDON NW10 7XF	RED DOT=ORIGINAL BLACK DOT=COPY	DRAWN PL	CHECKED
EST. WT. -----		SURFACE TEXTURE 3.2 µm(N8)	DIMENSIONS IN in/mm	INS				
				SCALE (ORIGINAL)	1:1			