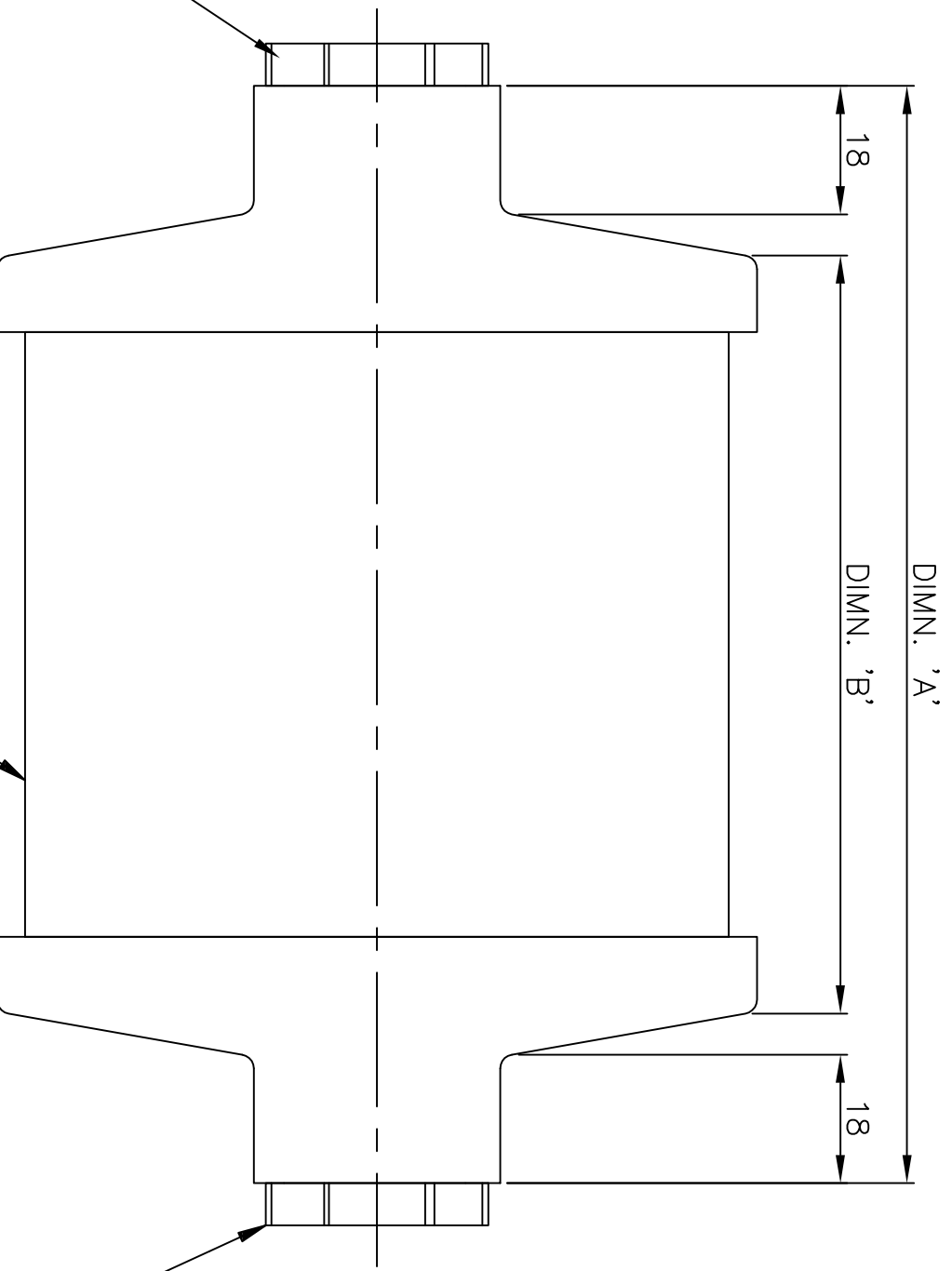
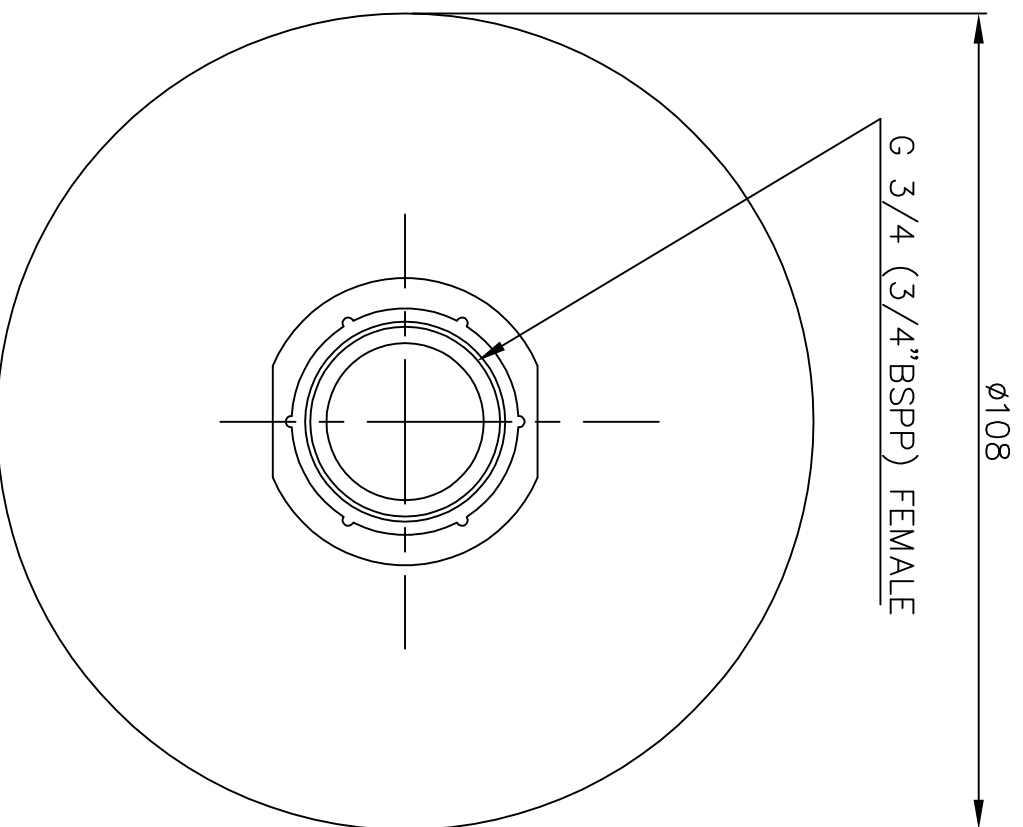
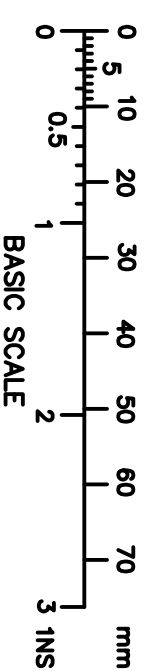


THIS DRAWING IS THE PROPERTY OF BROWNELL LTD, AND MAY NOT BE COPIED OR REPRODUCED WITHOUT THEIR PRIOR WRITTEN PERMISSION

DRG No
BL/D10787/01-03 INST
USED ON _____

THIRD ANGLE PROJECTION
REMOVE ALL SHARP EDGES UNLESS SPECIFIED
DO NOT SCALE - ASK



DISPOSABLE PROTECTIVE PLUG

CLEAR POLYCARBONATE BODY FILLED WITH ENVIROGEL

DISPOSABLE PROTECTIVE PLUG

DRG No	SIZE	DIMN 'A'	DIMN 'B'
BL/D10787/01	LD1	157	108
BL/D10787/02	LD2	249	200
BL/D10787/03	LD3	351	302

CHANGE	MOD No	ISSUE	DATE
ORIGINAL		1	25-01-11

MATERIAL GLASS LOADED & UV STABILIZED POLYCARBONATE	PROTECTIVE FINISH _____	TOLERANCES ±2	TITLE BROWNELL Ltd. LONDON NW10 7XF IN-LINE DRYER (SIZES LD1, LD2 & LD3)	DRAWING NUMBER BL/D10787/01-03 INST
EST. WT. _____				

RED DOT=ORIGINAL	DRAWN AM	CHECKED
BLACK DOT=COPY		