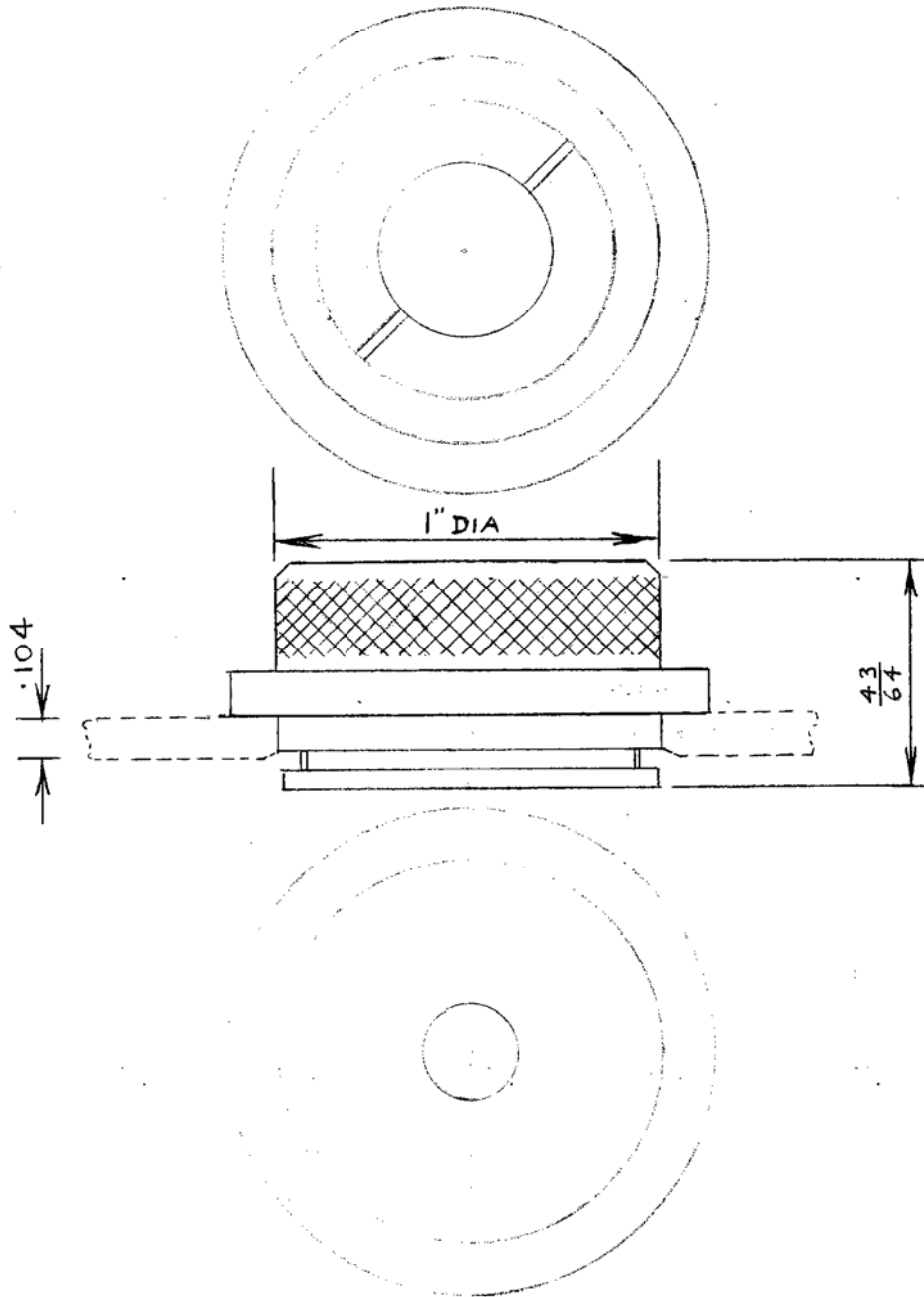


THIS DESIGN IS THE PROPERTY OF BROWNELL LTD.  
AND MAY NOT BE COPIED OR REPRODUCED  
WITHOUT THEIR PRIOR WRITTEN PERMISSION.

DRG. No.  
BL/D 1041 INST  
USED ON HI 26

THIRD ANGLE  
PROJECTION



MATERIAL SEE DETAIL DRGS	PROTECTIVE FINISH DEF 5000				
EST. WT.		CHANGE	MOD. No.	ISSUE	DATE
DIMNS IN INS	SURFACE ROUGH	TOLERANCES			
SCALE 2:1				1	12.6.67
BROWNELL LIMITED LONDON N.W.10.			DRAWN J Matthews	CHKD.	
SUB CONT.		SUB CONT. DRG. REF.			
TITLE COMBINED PRESSURE RELEASE & HUMIDITY INDICATOR		DRAWING No. BL/D 1041 INST			