

THIS DRAWING IS THE PROPERTY OF BROWNELL LTD. AND MAY NOT BE COPIED OR REPRODUCED WITHOUT THEIR PRIOR WRITTEN PERMISSION

DRG No
BL/D10374 INST

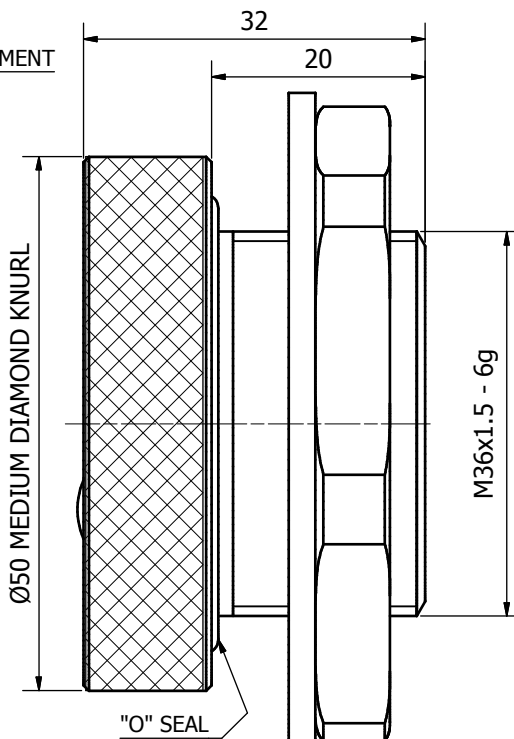
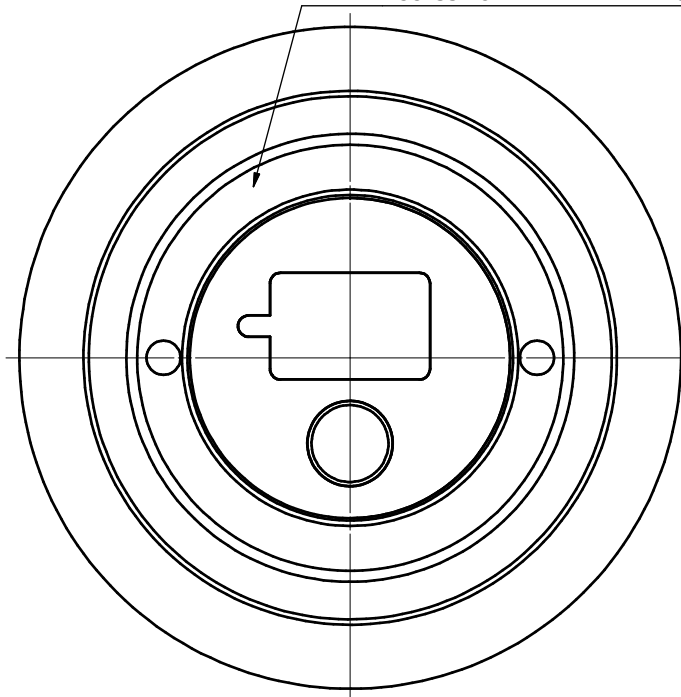
USED ON -----

REMOVE ALL SHARP EDGES UNLESS SPECIFIED

THIRD ANGLE PROJECTION

DO NOT SCALE - ASK

REMOVEABLE CENTRAL CORE
(L.H THREAD) TO PROVIDE
ACCESS FOR BATTERY REPLACEMENT



NOTES :-

INGRESS PROTECTION : IP67
OPERATING TEMPERATURE : -20°C to +60°C
STORAGE TEMPERATURE : -40°C to +80°C
MAX. OPERATING PRESSURE : 90 psi

POWER SOURCE : FLAT LITHIUM (COIN CELL) BATTERY
NOMINAL VOLTAGE : 3 VOLTS
NOMINAL CAPACITY : 200 mAh
ESTIMATED LIFE : 5 YEARS (BATTERY LIFE)

AVAILABLE OPTIONS : RFI
 BACKNUT & WASHER

DISPLAY OPTIONS for one press of the button

- 1) RELATIVE HUMIDITY - 2 TO 90% RH
- 2) TEMPERATURE - -30°C to +60°C
- 3) DEWPOINT - -50°C to +20°C

NOTES	6604	8	21/07/14
ORIGINAL		1	03-06-08
CHANGE	MOD No	ISSUE	DATE

● RED DOT=ORIGINAL	DRAWN	CHECKED
● BLACK DOT=COPY	PL	

DRAWING NUMBER
BL/D10374 INST

MATERIAL ALUMINIUM ALLOY	PROTECTIVE FINISH ANODISE TO DEF STAN 03-25 AND DYE BLACK	TOLERANCES UNLESS OTHERWISE STATED	±0.5	BROWNELL Ltd. LONDON NW10 7XF
EST. WT. -----		SURFACE ROUGHNESS	3.2µm (N8)	
		DIMENSIONS IN in/mm	mm	
		SCALE (ORIGINAL)	2:1	
TITLE				ENVIROMENTAL INDICATOR - M36